

Series 4, Heat pump tumble dryer, 8 kg WTH84001GB



A+



- **Auto Dry:** automatically senses when your preferred level is reached.
- **Easy Clean with A+:** efficient drying with easy maintenance.
- **Anti-Vibration Design:** extremely stable vibration protection ensures a smooth operation.
- **Eco friendly gas:** dry your clothes with the most environmentally friendly cooling agent.
- **LED Display with touch button:** delay the start or end time of your drying cycle by up to 24 hours.

Built-in / Free-standing: Freestanding
 Removable top: No
 Door hinge: Right
 Length electrical supply cord: 179.5 cm
 Dimensions: 842x598x613 mm
 Net weight: 46.8 kg
 Fluorinated greenhouse gases: No
 Type of refrigerant: R290
 Hermetically sealed equipment: Yes
 EAN code: 4242005393800
 Connection rating: 600 W
 Fuse protection: 10 A
 Voltage: 220-240 V
 Frequency: 50 Hz
 Loading capacity: 8.0 kg
 Energy efficiency rating: A+
 Energy consumption electric dryer, full load - NEW (2010/30/EC) 2.18 kWh
 Standard cotton programme time at full load: 226 min
 Energy consumption electric dryer, partial load - NEW (2010/30/EC):
 1.28 kWh
 Standard cotton programme time at partial load: 137 min
 Weighted annual energy consumption, electric dryer - NEW
 (2010/30/EC): 270.0 kWh/annum
 Weighted programme time: 175 min
 Average condensation efficiency full load (%): 81 %
 Average condensation efficiency partial load (%): 81 %
 Weighted condensation efficiency (%): 81 %

WMZ20600 Wool in basket - accessory
 WTZ11400 Stacking kit with pull-out shelf
 WTZ20410 Stacking kit
 WTZPW20D Platform with pull-out, dryer, cubic



Series 4, Heat pump tumble dryer, 8 kg WTH84001GB

Performance

- Energy Efficiency Class¹: A+
- Energy²: 270 kWh
- Capacity: 1 - 8 kg
- Programme time³: 226 min
- Noise level: 65 dB (A) re 1 pW
- Condensation efficiency class⁴: B
- Condensation efficiency⁵: 81 %

Programmes/functions

- Standard programmes: cotton, easy care
- Special programmes: Mixed Load, Towels, Time prog. 30 min. cold, Time prog. 30 min. warm, Sportswear, Down, Super Quick 40, Shirts/blouses

Key features

- Anti crease cycle 120 min at the end of the programme
- Touch control buttons: start/pause, Reduced ironing, fine-tuning for drying level, 24 h, end Time Delay

Additional features

- EasyClean filter
- Fully electronic control dial for sensor programmes and timed programmes
- Fully electronic control dial for sensor drying, including timed and special programmes
- LED Display for remaining time and 24 hours time delay, programme status indication, special functions
- Sensitive drying: large stainless steel drum with textile care and revolution drying system
- AntiVibration design: for greater stability and quietness
- No
- Container for condensed water
- Full container tank indicator
- Warning for fluff filter and condensed water container
- no
- Child lock
- Buzzer to indicate the end of cycle
- P-door Plastic, white
- pull-open latch
- Door hinge: right-hand
- Metal door catch

Technical Information

- slide-under installation
- Dimensions (H x W): 84.2 cm x 59.8 cm
- Appliance depth: 61.3 cm
- Appliance depth incl. door: 65.1 cm
- Appliance depth with open door: 108.3 cm
- Heat pump technology with climate friendly cooling agent

¹ At a range of energy efficiency classes from A+++ to D

² Energy consumption kWh per year, based on 160 drying cycles of the standard cotton programme at full and partial load, and the consumption of the low power modes

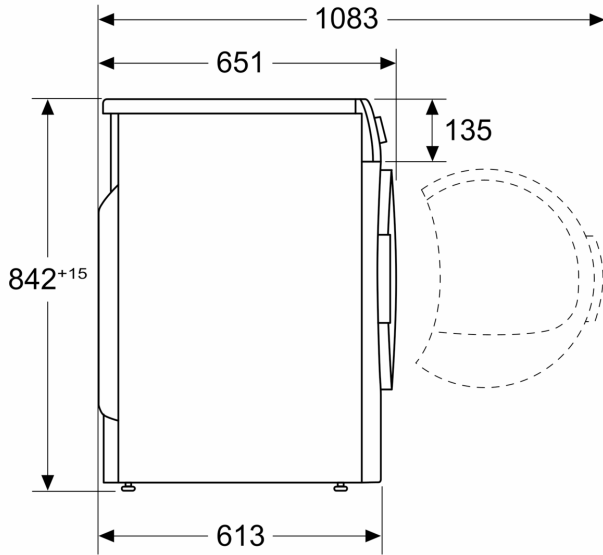
³ Programme time of the standard cotton programme at full load

⁴ On a condensation efficiency class scale from A to G

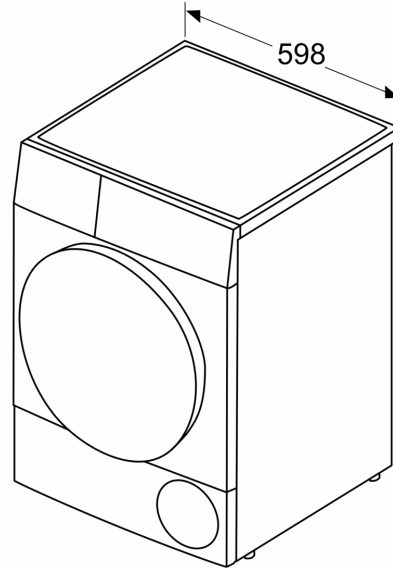
⁵ Weighted condensation efficiency for the standard cotton programme at full and partial load

**Series 4, Heat pump tumble dryer, 8
kg
WTH84001GB**

Measurements in mm



Measurements in mm



Measurements in mm

