

**Series 6, Heat pump tumble dryer, 9 kg  
WQG245R1GB**



- WMZ20600 Wool in basket - accessory
- WTZ1110 Condenser drainage kit
- WTZ2741C Stacking kit
- WTZPW20D Platform with pull-out, dryer, cubic

**The heat pump dryer with A+++ and Self-Cleaning condenser saves energy and its AutoDry sensor knows when your load is ready, protecting your garments.**

- **A+++ rated:** Discover our highly efficient dryer
- **Self-Cleaning Condenser:** Automatic fluff-cleaning condenser.
- **Anti Vibration sidewall:** extremely stable and quiet thanks to special vibration protection.
- **Auto Dry:** Automatically senses when your load is dried.
- **Half Load option:** optimises the drying settings (load and duration) for small loads.

Built-in / Free-standing: ..... Freestanding  
 Removable top: ..... No  
 Door hinge: ..... Right  
 Length electrical supply cord: ..... 179.5 cm  
 Dimensions: ..... 842x598x613 mm  
 Net weight: ..... 53.2 kg  
 Fluorinated greenhouse gases: ..... No  
 Hermetically sealed equipment: ..... Yes  
 EAN code: ..... 4242005523375  
 Connection rating: ..... 600 W  
 Fuse protection: ..... 10 A  
 Voltage: ..... 220-240 V  
 Frequency: ..... 50 Hz  
 Loading capacity: ..... 9.0 kg  
 Energy efficiency rating: ..... A+++  
 Energy consumption electric dryer, full load - NEW (2010/30/EC): 1.60 kWh  
 Standard cotton programme time at full load: ..... 195 min  
 Energy consumption electric dryer, partial load - NEW (2010/30/EC): ..... 0.89 kWh  
 Standard cotton programme time at partial load: ..... 125 min  
 Weighted annual energy consumption, electric dryer - NEW (2010/30/EC): ..... 193.0 kWh/annum  
 Weighted programme time: ..... 155 min  
 Average condensation efficiency full load (%): ..... 88 %  
 Average condensation efficiency partial load (%): ..... 88 %  
 Weighted condensation efficiency (%): ..... 88 %



## Series 6, Heat pump tumble dryer, 9 kg WQG245R1GB

**The heat pump dryer with A+++ and SelfCleaning condenser saves energy and its AutoDry sensor knows when your load is ready, protecting your garments.**

### Performance

- Energy Efficiency Class<sup>1</sup>: A+++
- Energy<sup>2</sup>: 193 kWh
- Capacity: 1 - 9 kg
- Programme time<sup>3</sup>: 195 min
- Noise level: 61 dB (A) re 1 pW
- Condensation efficiency class<sup>4</sup>: B
- Condensation efficiency<sup>5</sup>: 88 %

### Programmes/functions

- Standard programmes: cotton, easy care
- Special programmes: Cottons, Shirts/blouses, Cotton Eco, Down, Delicates, Towels, Mixed Load, Super Quick 40, Sportswear, Easy-Care, Woollens, Timed programme warm

### Key features

- Anti crease cycle 120 min at the end of the programme
- Half Load option: optimises drying for smaller loads
- Touch control buttons: Iron dry, Cupboard dry, Cupboard dry+, end Time Delay, Reduced ironing, Low heat, Buzzer, Start / Reload / Pause, 24 h end Time Delay

### Additional features

- SC1R
- Speed
- Fully electronic control dial for sensor programmes and timed programmes
- Large LED display for remaining time and 24 hours time delay, programme progress indication and special functions
- Load recommendation
- Usage meter: counts completed programmes
- Soft dial
- Sensitive drying: large stainless steel drum with textile care and revolution drying system
- AntiVibration design: for greater stability and quietness
- No
- Drum interior light
- Container for condensed water
- Child lock
- Buzzer to indicate the end of cycle
- NewValue door with cover glass, silver-black grey
- Door hinge: right-hand
- Metal door catch

### Technical Information

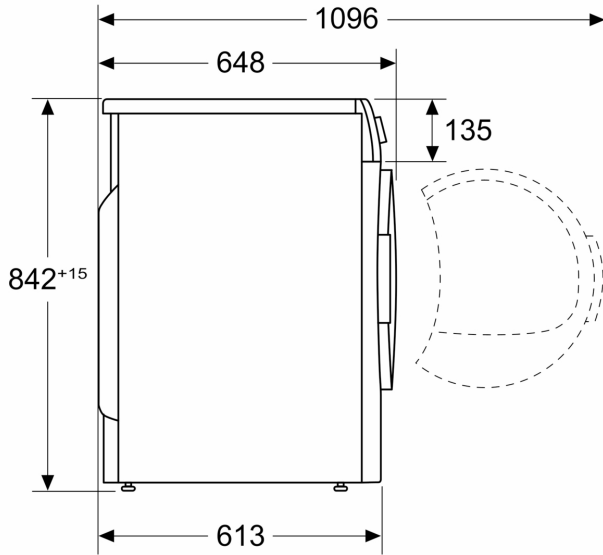
- slide-under installation
- Dimensions (H x W): 84.2 cm x 59.8 cm
- Appliance depth: 61.3 cm
- Appliance depth incl. door: 64.8 cm

- Appliance depth with open door: 109.6 cm
- Heat pump technology with climate friendly cooling agent

- <sup>1</sup> At a range of energy efficiency classes from A+++ to D
- <sup>2</sup> Energy consumption kWh per year, based on 160 drying cycles of the standard cotton programme at full and partial load, and the consumption of the low power modes
- <sup>3</sup> Programme time of the standard cotton programme at full load
- <sup>4</sup> On a condensation efficiency class scale from A to G
- <sup>5</sup> Weighted condensation efficiency for the standard cotton programme at full and partial load

**Series 6, Heat pump tumble dryer, 9  
kg  
WQG245R1GB**

Measurements in mm



Measurements in mm

