

iQ500, Heat pump tumble dryer, 9 kg WQ45G209GB



A++



WZ20600	Wool in basket - accessory
WZ27400	Stacking kit with pull-out shelf
WZ27410	Stacking kit
WZDP20D	Platform with pull-out, dryer, cubic

Outstanding laundry performance with A++, selfCleaning condenser and autoDry for gentle and even drying of your garments.

- ✓ selfCleaning condenser: removes fluff to save you time and effort.
- ✓ autoDry – gentle and precise drying that protects your clothes.
- ✓ Half load: optimises the cycle for smaller loads.
- ✓ Energy Efficiency Class A++ – dries very efficiently
- ✓ speedPack – Save time with our fast and highly efficient dryers.

Built-in / Free-standing:	Freestanding
Removable top:	No
Door opening:	Right
Length electrical supply cord:	179.5 cm
Dimensions:	842x598x613 mm
Weight:	56.4 kg
Fluorinated greenhouse gases:	No
Type of refrigerant:	R290
Hermetically sealed equipment:	Yes
The quantity expressed in CO2 equivalent:	0.000 t
EAN code:	4242003913017
Connection Rating:	800 W
Fuse protection:	10 A
Nominal power:	220-240 V
Frequency:	50 Hz
Capacity:	9.0 kg
Energy efficiency rating:	A++
Energy consumption electric dryer, full load - NEW (2010/30/EC):	2.05 kWh
Standard cotton programme time at full load:	176 min
Energy consumption electric dryer, partial load - NEW (2010/30/EC):	1.25 kWh
Standard cotton programme time at partial load:	121 min
Weighted annual energy consumption, electric dryer - NEW (2010/30/EC):	258.0 kWh/annum
Weighted programme time:	145 min
Average condensation efficiency full load (%):	86 %
Average condensation efficiency partial load (%):	86 %
Weighted condensation efficiency (%):	86 %



iQ500, Heat pump tumble dryer, 9 kg WQ45G209GB

Performance

- Energy Efficiency Class¹: A++
- Energy²: 258 kWh
- Capacity: 1 - 9 kg
- Programme time³: 176 min
- Noise level: 64 dB (A) re 1 pW
- Condensation efficiency class⁴: B
- Condensation efficiency⁵: 86 %

Programmes/functions

- Touch control buttons: Iron dry, Cupboard dry, Cupboard dry+, end time delay, less ironing, low heat, buzzer, Start / Reload / Pause, 24 h end time delay
- Standard programmes: cotton, easy care
- Special programmes: cotton, shirts, Cotton Eco, lingerie, towels, pillows, mixed fabrics, outdoor, rapid 40, blankets, easy-care, Woollens Finish, timed programme warm

Key features

- Anti crease cycle 120 min at the end of the programme
- Fully electronic control dial for sensor and timed programmes
- Half Load option: optimises drying for smaller loads
- Sensitive drying: large softDry stainless steel drum system and revolution drying system
- AntiVibration design: for greater stability and quietness

Additional features

- Large LED display for remaining time and 24 hours time delay, programme progress indication and special functions
- NewValue door with cover glass, Liquid-chrome matt, black
- Load recommendation
- soft dial
- Heat pump technology with climate friendly cooling agent
- Drum interior light
- Container for condensed water
- Door hinge: right-hand
- Metal door catch
- Child lock
- End of cycle buzzer

Technical Information

- Slide-under installation
- Dimensions (H x W): 84.2 cm x 59.8 cm
- Appliance depth: 61.3 cm
- Appliance depth incl. door: 64.8 cm
- Appliance depth with open door: 109.6 cm

¹ At a range of energy efficiency classes from A+++ to D

² Energy consumption kWh per year, based on 160 drying cycles of the standard cotton programme at full and partial load, and the consumption of the low power modes

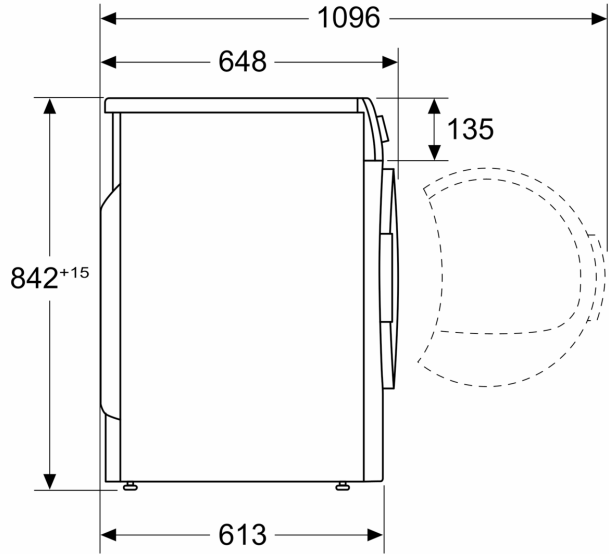
³ Programme time of the standard cotton programme at full load

⁴ On a condensation efficiency class scale from A to G

⁵ Weighted condensation efficiency for the standard cotton programme at full and partial load

**iQ500, Heat pump tumble dryer, 9
kg
WQ45G209GB**

Measurements in mm



Measurements in mm

