

**Series 8, Washer dryer, 10.5/6 kg,  
1400 rpm  
WNC25410GB**



**The all-in-one laundry solution. Washer dryer with i-DOS automatic dosing and A-rated energy Class to save water, detergent and energy when washing. Auto dose, wash and dry at the touch of a button.**

- Hybrid FlexAir washer dryer technology achieves energy class A for the washing cycle.
- i-DOS: automatically measures the right amount of detergent and water.
- Speed Perfect: the ultimate clean, up to 65% faster.
- AutoDry: automatically dries to your preferred level of dryness.
- Iron Assist: the clever steam treatment that smooths dried clothes.

WMZ2200 Floor securing component  
WMZ2381 Extension for cold water inlet /Aquastop

---

Energy Efficiency Class Wash/Dry cycle(Regulation): .....	D
Energy Efficiency Class Eco 40-60 programme (Regulation): .....	A
Weighted energy consumption in kWh per 100 full Wash/Dry cycles	6.95 kWh
Weighted energy consumption in kWh per 100 washing cycles of eco 40-60 programme: .....	5.2 kWh
Maximum capacity in kg in a Wash/Dry cycle: .....	6.0
Maximum capacity in kg in a wash cycle: .....	10.5
The water consumption of the full wash and dry cycle in liters per cycle: .....	75 l
The water consumption of the eco programme in liters per cycle: .....	50 l
Duration of the full wash and dry cycle in hours and mins at rated capacity: .....	8:20 h
Duration of eco 40-60 programme in hours and mins at rated capacity: .....	4:00 h
Spin-drying efficiency class of eco 40-60 programme: .....	B
Airborne acoustical noise emissions : .....	70 dB(A) re 1pW
Airborne acoustical noise emission class: .....	A
Built-in / Free-standing: .....	Freestanding
Removable top: .....	No
Door hinge: .....	Left
Length electrical supply cord: .....	182.0 cm
Dimensions of the product: .....	848x598x622 mm
Net weight: .....	87.8 kg
Drum volume: .....	65 l
EAN code: .....	4242005348893

---



## Series 8, Washer dryer, 10.5/6 kg, 1400 rpm WNC25410GB

**The all-in-one laundry solution. Washer dryer with i-DOS automatic dosing and A-rated energy Class to save water, detergent and energy when washing. Auto dose, wash and dry at the touch of a button.**

### Performance

- Energy Efficiency Class Wash and Dry<sup>1</sup>: D
- Energy Efficiency Class Washing<sup>2</sup>: A
- Energy<sup>3</sup> / Water<sup>4</sup> Wash and Dry: 305 kWh / 75 litres
- Energy<sup>5</sup> / Water<sup>6</sup> Washing: 52 kWh / 50 litres
- Load capacity Wash and Dry / Washing: 1 - 6 kg / 1 - 10.5 kg
- Programme duration<sup>7</sup> Wash and Dry / Washing: 8:20 h:min / 4:00 h:min
- Spin drying efficiency class: EU19\_spin efficiency class: B
- Spin speed<sup>\*\*</sup>: 400 - 1400 rpm
- Noise level: 70 dB (A) re 1 pW
- Noise efficiency class: A

### Programmes/functions

- Special programmes washing: Automatic Gentle, Super Quick 15, Drain / Spin, Remote Program, Sportswear, Single Rinse
- Most common washing programmes can be used as solo-drying programme or as washing and drying in one go programme
- Special programmes drying: Refresh

### Key features

- Home Connect: Remote Monitoring and Control, Energy Management, Remote Diagnostics, further programmes via download. Always keep your appliance up to date via firmware update.
- i-DOS: automatic dosing of liquid detergent and softener
- SpeedPerfect: perfectly clean in up to 65% less time. \*\*\*
- Options washing: Easy iron, Spin speed selection, extra rinse, AntiStain +, HygieneCare, i-DOS 2.0 1, i-DOS 2.0 2, Child lock, Memory, Remote Start, SpeedPerfect, Start / Pause, Temperature selection, Prewash, Time delay
- Options drying: Iron Dry, Solo Dry, Cupboard Dry, Cupboard Dry Plus, Drying aim, Wash + Dry
- Drying options for most wash programmes
- Autodry function, Timed drying programmes

### Additional features

- Reload function: Flexibility to add or remove laundry items of any size even after start of the wash cycle.
- Exceptional convenience thanks to the inclined ergonomic control panel
- Hybrid FlexAir system for energy saving when washing
- AquaStop: Bosch home appliance with lifetime warranty against water damage\*
- EcoSilence drive with 10 year warranty
- EcoSilence drive with 10 year warranty
- Large LED-Display for programme status indication, temperature

selection, spin speed, remaining time and 24 hours end time delay, load recommendation and consumption indication

- Drum volume: 65 litres
- WaveDrum - Gentle washing thanks to a unique drum structure
- Drum interior light
- Usage meter: counts completed programmes
- ActiveWater Plus: for highly efficient use of water even with smaller loads thanks to automatic load detection.
- AntiVibration Design - for more stability and quietness
- Sound insulation by additional noise reduction material
- Sound insulation by additional noise reduction material
- Foam detection system
- Safeguard monitoring system adjusts load distribution and programme settings to protect clothes
- Buzzer to indicate the end of cycle
- Maintenance free condenser: automatic fluff removal
- Child lock
- White door with 180° opening door
- Left hinged door
- Metal door catch

### Technical Information

- Slide-under installation
- Dimensions (H x W): 84.8 cm x 59.8 cm
- Appliance depth: 62.2 cm
- Appliance depth incl. door: 65.4 cm
- Appliance depth with open door: 114.2 cm

<sup>1 2</sup> Scale of Energy Efficiency Classes from A to G

<sup>3</sup> Energy consumption in kWh per 100 complete cycles (in Eco 40-60 programme)

<sup>4</sup> Water consumption in litres per complete cycle (in Eco 40-60 programme)

<sup>5</sup> Energy consumption in kWh per 100 washing cycles (in Eco 40-60 programme)

<sup>6</sup> Weighted water consumption in litres per washing cycle (in Eco 40-60 programme)

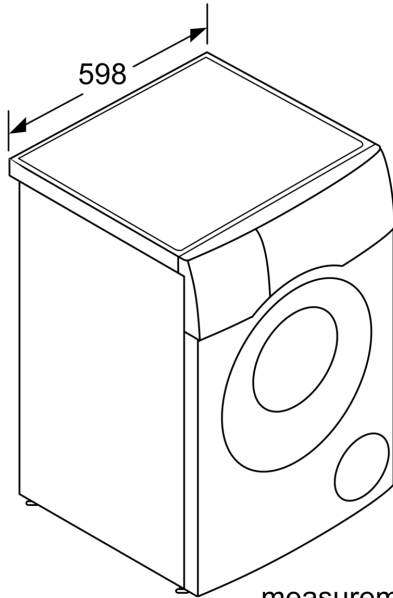
<sup>7</sup> Duration of Eco 40-60 programme, Wash and Dry cycle / Wash only cycle

\*\* Values are rounded.

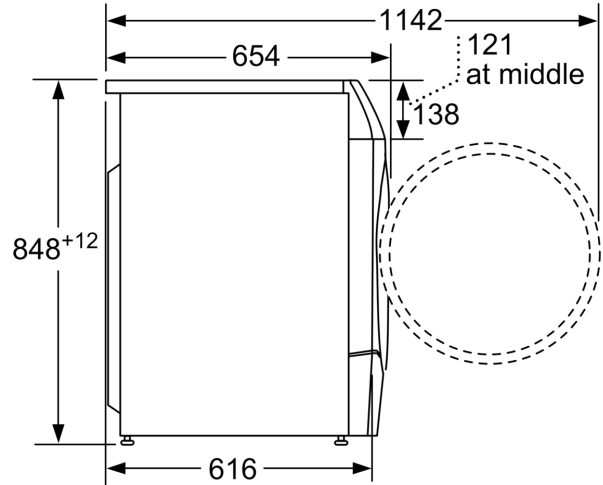
\* Please find warranty terms under the additional warranties section of our website.

\*\*\* Comparison between the program duration of Easy-care 40°C and the program duration of Easy-care 40°C + activated Speed option

**Series 8, Washer dryer, 10.5/6 kg,  
1400 rpm  
WNC25410GB**



measurements in mm



measurements in mm