

**iQ500, Built-in washing machine,  
8 kg, 1400 rpm  
WI14W302GB**



WX975600	Floor securing component
WZ10131	Extension for cold water inlet /Aquastop
WZ30400	Height-adjustable feet

- iSensonic fully integrated built-in washing machine with iQdrive.
- ✓ speedPack L – Speed up your programmes, or wash in just 15 minutes.
  - ✓ LED simple touch display - easy to use and shows all relevant information clearly
  - ✓ Efficient, quiet, and durable with guarantee - iQdrive with 10 year guarantee
  - ✓ waterPerfect Plus: intelligent sensor technology for efficient water use, even with small loads.
  - ✓ For highly effective and extremely gentle laundry care - waveDrum

Energy Efficiency Class: .....	C
Weighted energy consumption in kWh per 100 washing cycles of eco 40-60 programme: .....	62 kWh
Maximum capacity in kg: .....	8.0 kg
The water consumption of the eco programme in liters per cycle: .....	45 l
Duration of eco 40-60 programme in hours and mins at rated capacity: .....	3:26 h
Spin-drying efficiency class of eco 40-60 programme: .....	B
Airborne acoustical noise emission class: .....	A
Airborne acoustical noise emissions : .....	66 dB(A) re 1pW
Built-in / Free-standing: .....	Built-in
Dimensions of the product: .....	818 x 596 x 544 mm
Weight: .....	72.1 kg
Connection Rating: .....	2300 W
Fuse protection: .....	10 A
Nominal power: .....	220-240 V
Frequency: .....	50 Hz
Length electrical supply cord: .....	210.0 cm
Door opening: .....	Left
Wheels: .....	No
EAN code: .....	4242003922323
Installation type: .....	Fully integrated



## iQ500, Built-in washing machine, 8 kg, 1400 rpm WI14W302GB

### Performance

- Energy Efficiency Class<sup>1</sup>: C
- Energy<sup>2</sup> / Water<sup>3</sup>: 62 kWh / 45 litres
- Load capacity: 1 - 8 kg
- Programme duration<sup>4</sup>: 3:26 h:min
- Spin drying efficiency class: B
- Spin speed<sup>\*\*</sup>: 400 - 1400 rpm
- Noise level: 66 dB (A) re 1 pW
- Noise efficiency class: A
- Fully integrated

### Programmes/functions

#### Key features

- Touch control buttons: Ready in, varioSpeed, start/pause with reload function, spin speed selection

#### Additional features

- Reload Function: Stop the washing machine to add any forgotten items of laundry to the drum.
- Large display for programme progress indication, spin speed, remaining time, 24 hour end time delay and load recommendation.
- iQdrive with 10 year warranty
- iQdrive with 10 year warranty
- aquaStop: Siemens home appliance with lifetime warranty against water damage\*
- autoLoad Plus
- Foam detection system
- Out of balance load adjustment
- Noise insulation: bottom cover
- antiVibration Design - for more stability and quietness
- Detergent dispensing: easy clean
- Divider for Liquid Detergent
- End of cycle buzzer
- Large white door with 130° opening and 30 cm porthole
- Furniture door is reversible
- Metal door catch

#### Technical Information

- adjustable base height: 15 cm
- adjustable base depth: 6.5 cm
- Height adjustment with cardanDrive

<sup>1</sup> Scale of Energy Efficiency Classes from A to G

<sup>2</sup> Energy consumption in kWh per 100 cycles (in programme Eco 40-60)

<sup>3</sup> Weighted water consumption in litres per cycle (in programme Eco 40-60)

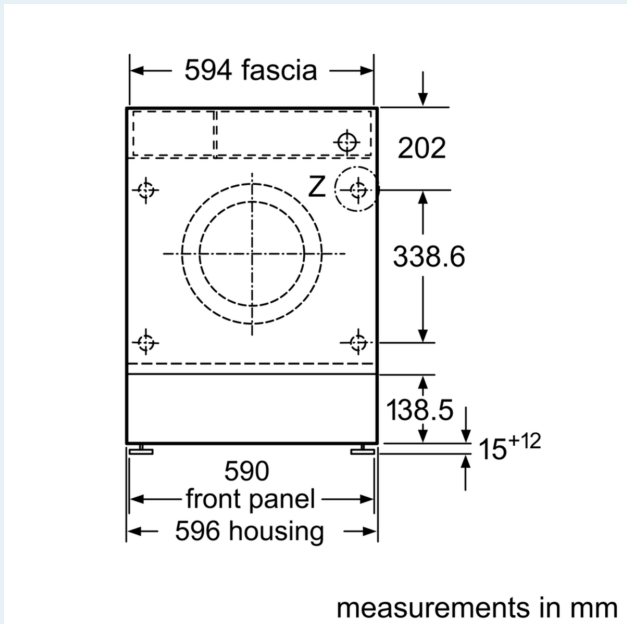
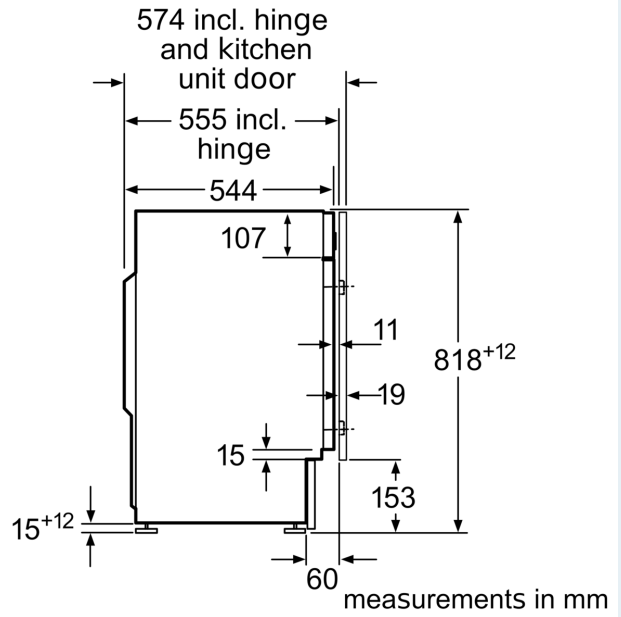
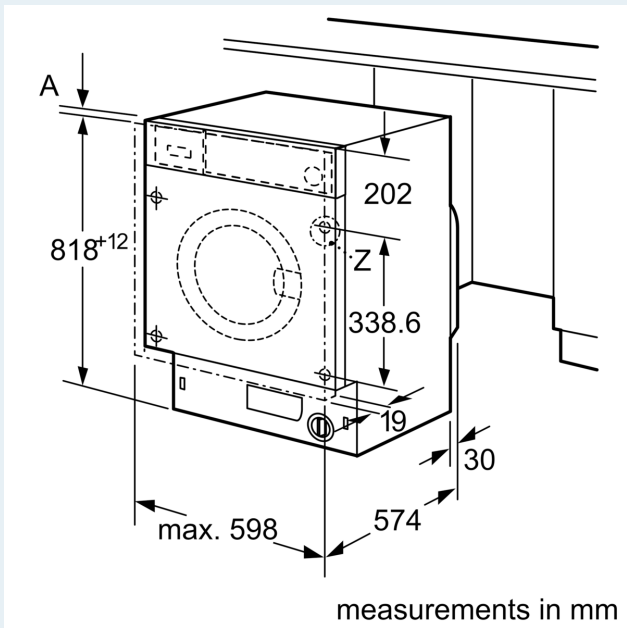
<sup>4</sup> Duration of Eco 40-60 programme

\*\* Values are rounded.

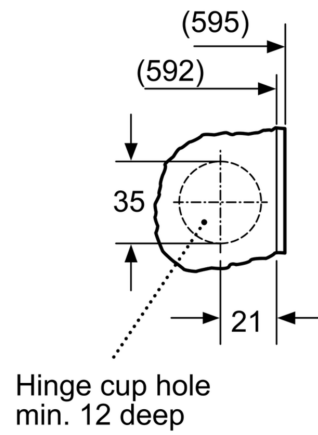
\* Please find warranty terms under the additional warranties section

of our website.

**iQ500, Built-in washing machine,  
8 kg, 1400 rpm  
WI14W302GB**



Z detail



measurements in mm