

**iQ700, Washing machine, front loader, 9 kg, 1400 rpm
WG44B209GB**



- ✓ speedPack XL: speed up your wash or use one of the fixed preset speed programmes.
- ✓ Home Connect app (Android and iOS): access and control your washing machine, wherever you are.
- ✓ Remote control: manage your wash with your mobile device.
- ✓ Push notifications: know what your machine needs with the Home Connect app.
- ✓ Voice control: your washing machine does exactly what you say.

Energy Efficiency Class:A
 Weighted energy consumption in kWh per 100 washing cycles of eco 40-60 programme:40 kWh
 Maximum capacity in kg:9.0 kg
 The water consumption of the eco programme in liters per cycle: 50 l
 Duration of eco 40-60 programme in hours and mins at rated capacity: 3:48 h
 Spin-drying efficiency class of eco 40-60 programme: B
 Airborne acoustical noise emission class:A
 Airborne acoustical noise emissions : 69 dB(A) re 1pW
 Built-in / Free-standing: Freestanding
 Dimensions of the product: 845 x 598 x 590 mm
 Weight: 82.8 kg
 Connection Rating: 2300 W
 Fuse protection: 10 A
 Nominal power: 220-240 V
 Frequency: 50-60 Hz
 Length electrical supply cord: 210.0 cm
 Door opening:Left
 Wheels: No
 EAN code: 4242003937198
 Installation type: Freestanding



WX975600	Floor securing component
WZ10131	Extension for cold water inlet /Aquastop
WZWP20W	Platform with pull-out, washer, cubic

iQ700, Washing machine, front loader, 9 kg, 1400 rpm WG44B209GB

Performance

- Energy Efficiency Class¹: A
- A -20%: 20% more efficient than the limit value of Energy Efficiency Class A****
- Energy² / Water³: 40 kWh / 50 litres
- Load capacity: 1 - 9 kg
- Programme duration⁴: 3:48 h:min
- Spin drying efficiency class: B
- Spin speed^{**}: 400 - 1400 rpm
- Noise level: 69 dB (A) re 1 pW
- Noise efficiency class: A

Programmes/functions

- Standard programmes: cottons, easy care, delicates, wool hand wash
- Series / project: W_F44C-PG1.5CU
- Special programmes: textile guard re-proofing programme, drain / spin, PowerWash 59, mixed fabrics, single rinse, rapid 15 minute quick wash, Hygiene

Key features

- Touch control buttons: On/off, soaking, Ready in, stain selection, child lock, Memory, extra rinse, remote start, start/pause with reload function, temperature selection, varioSpeed, prewash, water plus, spin speed selection/Rinse Hold

Additional features

- Reload Function: Stop the washing machine to add any forgotten items of laundry to the drum.
- powerSpeed system: better washing results in less time
- Hygiene Plus: clean laundry and effective removal of germs
- Drum volume: 65 litres
- drum interior light
- waveDrum: for highly effective and extremely gentle laundry care
- Large chrome-black door with 188° opening
- Reload function: Pause the already running washing machine to add any forgotten items of laundry to the drum.
- iQdrive with 10 year warranty
- iQdrive with 10 year warranty
- antiVibration Design - for more stability and quietness
- waterPerfect Plus: for efficient use of water even with small loads thanks to intelligent sensor technology.
- Sound insulation by additional noise reduction material
- Sound insulation by additional noise reduction material
- aquaStop: Siemens home appliance with lifetime warranty against water damage*
- Jog dial with integrated on/off control
- Foam detection system
- Detergent over dosage display
- Out of balance load adjustment
- Electronic child safety package
- Acoustic signals: Buzzer

- Detergent dispensing: easy clean
- Divider for Liquid Detergent
- Usage meter: counts completed programmes

Technical Information

- Slide-under installation
- Dimensions (H x W): 84.5 cm x 59.8 cm
- Appliance depth: 59.0 cm
- Appliance depth incl. door: 63.8 cm
- Appliance depth with open door: 109.0 cm

¹ Scale of Energy Efficiency Classes from A to G

² Energy consumption in kWh per 100 cycles (in programme Eco 40-60)

³ Weighted water consumption in litres per cycle (in programme Eco 40-60)

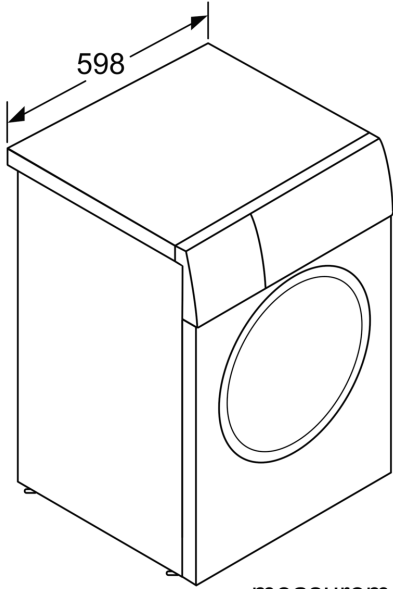
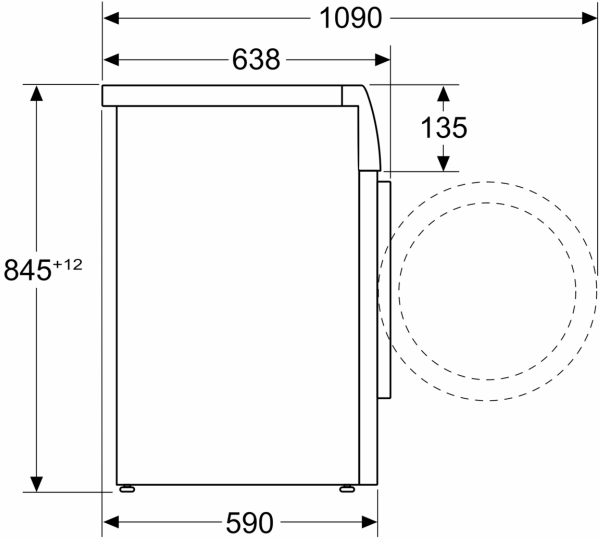
⁴ Duration of Eco 40-60 programme

** Values are rounded.

* Please find warranty terms under the additional warranties section of our website.

**iQ700, Washing machine, front loader, 9 kg, 1400 rpm
WG44B209GB**

Measurements in mm



measurements in mm