

**iQ700, Washer dryer, 10/6 kg,  
1400 rpm  
WD4HU541GB**



WX975600	Floor securing component
WZ10131	Extension for cold water inlet /Aquastop

- Wash & dry in one go with the wifi-enabled washer-dryer in only 60 minutes.
- ✓ smartFinish: smooth away creases to cut down on ironing.
  - ✓ Home Connect – Access and control your washer dryer remotely.
  - ✓ Interconnected devices: seamlessly connect your devices to make life easier.
  - ✓ High capacity 10/6kg: get more done in one go with a 10kg wash or a 6kg drying load.
  - ✓ Outdoor/waterproofing programme – Protects your waterproof textiles.

Energy Efficiency Class Wash/Dry cycle(Regulation):	..... D
Energy Efficiency Class Eco 40-60 programme (Regulation):	A
Weighted energy consumption in kWh per 100 full Wash/Dry cycles:	.....307 kWh
Weighted energy consumption in kWh per 100 washing cycles of eco 40-60 programme:	.....49 kWh
Maximum capacity in kg in a Wash/Dry cycle:	..... 6.0
Maximum capacity in kg in a wash cycle:	..... 10.0
The water consumption of the full wash and dry cycle in liters per cycle:	..... 74 l
The water consumption of the eco programme in liters per cycle:	50 l
Duration of the full wash and dry cycle in hours and mins at rated capacity:	..... 8:00 h
Duration of eco 40-60 programme in hours and mins at rated capacity:	..... 3:55 h
Spin-drying efficiency class of eco 40-60 programme:	..... B
Airborne acoustical noise emissions :	..... 70 dB(A) re 1pW
Airborne acoustical noise emission class:	.....A
Built-in / Free-standing:	..... Freestanding
Removable top:	..... No
Door opening:	.....Left
Length electrical supply cord:	..... 210.0 cm
Dimensions of the product:	..... 848 x 598 x 622 mm
Weight:	..... 84.8 kg
Drum volume:	..... 65 l
EAN code:	.....4242003913574



# iQ700, Washer dryer, 10/6 kg, 1400 rpm WD4HU541GB

- iSensoric

## Performance

- Energy Efficiency Class Wash and Dry<sup>1</sup>: D
- Energy Efficiency Class Washing<sup>2</sup>: A
- Energy<sup>3</sup> / Water<sup>4</sup> Wash and Dry: 307 kWh / 74 litres
- Energy<sup>5</sup> / Water<sup>6</sup> Washing: 49 kWh / 50 litres
- Load capacity Wash and Dry / Washing: 1 - 6 kg / 1 - 10 kg
- Programme duration<sup>7</sup> Wash and Dry / Washing: 8:00 h:min / 3:55 h:min
- Spin drying efficiency class: EU19\_spin efficiency class: B
- Spin speed<sup>\*\*</sup>: 0 - 1400 rpm
- Noise level: 70 dB (A) re 1 pW
- Noise efficiency class: A

## Programmes/functions

- Standard programmes for washing: cottons, easy-care, delicates/silk, wool/handwash
- Special programmes washing: drum clean with reminder, rapid 15 minute quick wash, Extra Rinse, mixed fabrics, myTime, textile guard re-proofing programme, drain / spin, Remote Program
- Most common washing programmes can be used as solo-drying programme or as washing and drying in one go programme
- Standard programmes for drying: cottons, easy-care
- Special programmes drying: Refresh, myTime, Wash & Dry 60'

## Key features

- Home Connect: Remote Monitoring and Control
- speedPerfect / varioSpeed: Up to 65% reduced washing cycle
- Options washing: less ironing, extra rinse, child lock, myFavorite, night wash, speedPerfect, prewash, waterPlus
- Options drying: Iron dry, Night dry, Solo dry, Cupboard dry, Cupboard dry plus, Wash + Dry
- Drying options for most wash programmes
- autoDry function, and time selection options

## Additional features

- Reload Function: Stop the washing machine to add any forgotten items of laundry to the drum.
- Exceptional convenience thanks to the inclined ergonomic control panel
- aquaStop: Siemens home appliance with lifetime warranty against water damage\*
- iQdrive with 10 year warranty
- iQdrive with 10 year warranty
- Large LED-Display for programme status indication, temperature selection, spin speed, remaining time and 24 hours end time delay, load recommendation and consumption indication
- waveDrum - Gentle washing thanks to a unique drum structure
- drum interior light
- integrated 32 cm porthole, chrome-black with 125° opening door
- waterPerfect Plus: for efficient use of water even with small loads thanks to intelligent sensor technology.

- antiVibration Design - for more stability and quietness
- Sound insulation by additional noise reduction material
- Sound insulation by additional noise reduction material
- Foam detection system
- Out of balance load adjustment
- End of cycle buzzer
- Maintenance free condenser: automatic fluff removal
- Electronic child safety package
- White door with 180° opening door
- Left hinged door
- Metal door catch
- Magnet door lock

## Technical Information

- Slide-under installation
- Dimensions (H x W): 84.8 cm x 59.8 cm
- Appliance depth: 62.2 cm
- Appliance depth incl. door: 64.5 cm
- Appliance depth with open door: 114.2 cm

<sup>1 2</sup> Scale of Energy Efficiency Classes from A to G

<sup>3</sup> Energy consumption in kWh per 100 complete cycles (in Eco 40-60 programme)

<sup>4</sup> Water consumption in litres per complete cycle (in Eco 40-60 programme)

<sup>5</sup> Energy consumption in kWh per 100 washing cycles (in Eco 40-60 programme)

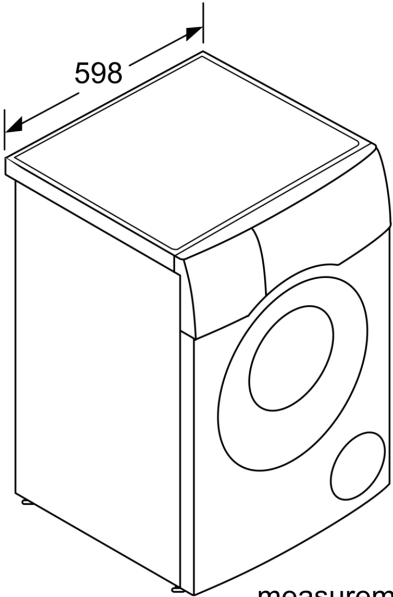
<sup>6</sup> Weighted water consumption in litres per washing cycle (in Eco 40-60 programme)

<sup>7</sup> Duration of Eco 40-60 programme, Wash and Dry cycle / Wash only cycle

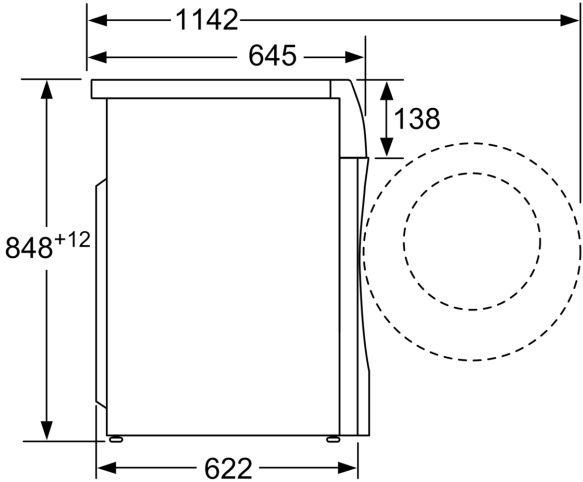
\*\* Values are rounded.

\* Please find warranty terms under the additional warranties section of our website.

**iQ700, Washer dryer, 10/6 kg,  
1400 rpm  
WD4HU541GB**



measurements in mm



measurements in mm