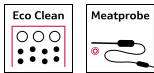


N 50, BUILT-IN DOUBLE OVEN
U1AC15HN0B



A



Double built-in oven - perfect for grilling, baking and roasting of multiple dishes at the same time.

- ✓ Eco Clean with Base Clean - the duo that makes oven cleaning easier
- ✓ LCD-Display - simple, straightforward with large characters for clear reading
- ✓ SinglePoint MeatProbe - ensures meats are cooked perfectly every time
- ✓ Cliprails - Place dishes exactly where you want them in your oven.

Built-in / Free-standing: Built-in
 Integrated Cleaning system: No
 Dimensions: 888x594x550 mm
 Dimensions of the packed product (HxWxD): . 960 x 660 x 690 mm
 Control Panel Material: Glass
 Door Material: Glass
 Net weight: 54.0 kg
 Usable volume of cavity: 71 l
 Cooking method: Full width grill, Hotair gentle, Hot Air, Conventional heat, Pizza setting, Bottom heat, Hot air grilling
 Oven control: mechanical
 Number of interior lights: 1
 EAN code: 4242004222057
 Energy efficiency rating: A
 Energy consumption per cycle conventional (2010/30/EC): 1.02 kWh/cycle
 Energy consumption per cycle forced air convection (2010/30/EC): 0.81 kWh/cycle
 Energy efficiency class (2010/30/EC) - cavity 2: B
 Energy consumption per cycle conventional - cavity 2 (2010/30/EC): 0.83 kWh/cycle
 Energy efficiency index (2010/30/EC): 95.3 %
 Energy efficiency index cavity 2 (2010/30/EC): 120.3 %
 Connection Rating: 5900 W
 Fuse protection: 32 A
 Voltage: 220-240 V
 Frequency: 50 Hz
 Plug type: no plug (electrical connection by electrician), fixed connection (electrical connection by electrician)
 Included accessories cavity 1: ... 3 x combination grid, 1 x universal pan

Z11AB15A0 Baking tray, non-stick ceramic coated, Z11AU15A0 Universal pan, non-stick ceramic coated, Z11CR10X0 Baking and roasting grid (standard), Z11GT10X3 Glass roasting dish, 5,4l, Z11TI15X0 Cliprails, Z12CB10A0 Baking tray, enamelled, Z12CP10A0 Pizza pan, enamelled, Z12CU10A0 Multipurpose pan, enamelled, Z1365WX0 Wireless food thermometer, Z13CR10X0 Baking and roasting grid (steam), Z1608BX0 Full ext rails, level independent, Z1655CA0 Air Fry & Grill tray, Z1913X0 Baking Stone, Z19DD10X0 Steam set for ovens



N 50, BUILT-IN DOUBLE OVEN U1AC15HN0B

- LCD-Display control (white)
- Electronic clock timer

Features

- Control panel lock
- Interior halogen light

Top oven additional features

- Cavity volume: 34 Litre
- EcoClean Direct :ceiling, back panel, side liners
- Cavity (inner surface) top: Enamel grey
- Door hinge small cavity: bottom

Main oven additional features

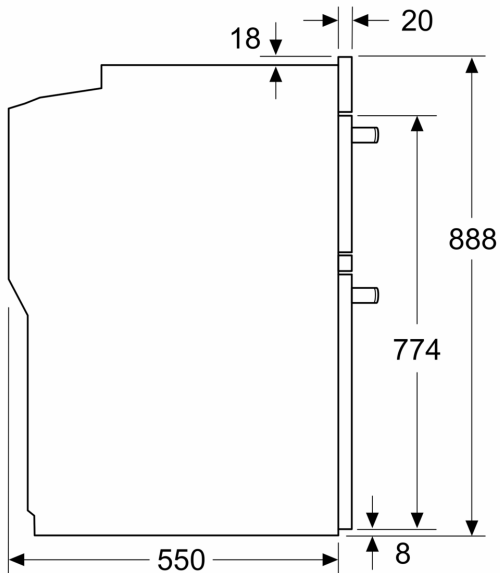
- EcoClean programme, Base Clean programme
- Single-point meat probe
- Cavity (inner surface) bottom: enamel anthracite
- 1 Clip rail, Stop function
- Full glass inner door
- Oven with 4 heating methods: Top/bottom heat, Full surface grill, Small area grill, Bottom heat
- Temperature range 50 °C - 275 °C
- Oven with 7 heating methods: CircoTherm®, Top/bottom heat, Circo-roasting, Full surface grill, CircoTherm® intensive, Bottom heat, CircoTherm® gentle
- 3 x combination grid, 1 x universal pan

Performance/technical information

- Total connected load electric: 5.9 KW
- Nominal voltage: 220 - 240 V
- Appliance dimension (hxwx): 888 mm x 594 mm x 550 mm
- Niche dimension (hxwx): 875 mm - 888 mm x 560 mm - 568 mm x 550 mm
- Please refer to the dimensions provided in the installation manual

N 50, BUILT-IN DOUBLE OVEN
U1AC15HN0B

measurements in mm



Back panel open

