

N 50, BUILT-IN DOUBLE OVEN  
U1ACE2AN3B



Double built-in oven - perfect for grilling, baking and roasting of multiple dishes at the same time.

- ✓ CircoTherm® – Smart hot-air solution that lets you bake on up to three levels at once.
- ✓ EasyClean - this special cleaning aid provides uncomplicated, energy-saving cleaning of the oven interior.
- ✓ LCD-Display – simple, straightforward with large characters for clear reading

Built-in / Free-standing: ..... Built-in  
 Integrated Cleaning system: ..... No  
 Dimensions: ..... 888x594x550 mm  
 Dimensions of the packed product (HxWxD): . 960 x 660 x 690 mm  
 Control Panel Material: ..... Glass  
 Door Material: ..... Glass  
 Net weight: ..... 49.4 kg  
 Usable volume of cavity: ..... 71 l  
 Cooking method: ..... Full width grill, Hotair gentle, Hot Air, Conventional heat, Hot air grilling  
 Oven control: ..... mechanical  
 Number of interior lights: ..... 1  
 EAN code: .....4242004281771  
 Energy efficiency rating: ..... A  
 Energy consumption per cycle conventional (2010/30/EC): 1.02 kWh/cycle  
 Energy consumption per cycle forced air convection (2010/30/EC): ..... 0.81 kWh/cycle  
 Energy efficiency class (2010/30/EC) - cavity 2: ..... B  
 Energy consumption per cycle conventional - cavity 2 (2010/30/EC): ..... 0.83 kWh/cycle  
 Energy efficiency index (2010/30/EC): .....95.3 %  
 Energy efficiency index cavity 2 (2010/30/EC): ..... 120.3 %  
 Connection Rating: .....5900 W  
 Fuse protection: .....32 A  
 Voltage: .....220-240 V  
 Frequency: .....50 Hz  
 Plug type: ..... no plug (electrical connection by electrician), fixed connection (electrical connection by electrician)  
 Included accessories cavity 1: ...3 x combination grid, 1 x universal pan

Z12CU10A0 Multipurpose pan, enamelled, Z1365WX0 Wireless food thermometer, Z1608BX0 Full ext rails, level independent, Z1650BE0 Half tray, Z1655CA0 Air Fry & Grill tray, Z1913X0 Baking Stone, Z11AB15A0 Baking tray, non-stick ceramic coated, Z11AU15A0 Universal pan, non-stick ceramic coated, Z11CR10X0 Baking and roasting grid (standard), Z11GU20X0 Glasspan, Z11TI15X0 Cliprails, Z12CB10A0 Baking tray, enamelled, Z12CL10A0 Lid for professional pan, enamelled, Z12CM10A0 Moussaka pan, enamelled, Z12CN10A0 Professional pan, enamelled, Z12CP10A0 Pizza pan, enamelled



## N 50, BUILT-IN DOUBLE OVEN U1ACE2AN3B

### Features

#### Top oven additional features

- Oven with 4 heating methods: Top/bottom heat, Full surface grill, Small area grill, Bottom heat
- Temperature range 50 °C - 275 °C
- Cavity volume: 34 Litre

#### Main oven additional features

- Oven with 5 heating methods: CircoTherm®, Top/bottom heat, Circo-roasting, Full surface grill, CircoTherm® gentle
- Temperature range 50 °C - 275 °C
- Cavity volume: 71 litre

#### Level independent telescopic rails

#### Top oven

- Oven with 5 heating methods: CircoTherm®, Top/bottom heat, Circo-roasting, Full surface grill, CircoTherm® gentle

#### Main oven

- 4 shelf positions
- Available as an accessory

#### Design

- Elongated designed dials, Retractable control dials, Bevelled oval controls
- Cavity (inner surface) top: Enamel grey
- Cavity (inner surface) bottom: enamel anthracite

#### Cleaning

#### Top oven

- full-glass medium

#### Main oven

- EasyClean
- Full glass inner door

#### Programmes/functions

- LCD Display (White)
- Electronic clock timer
- Automatic start
- Heating up indicator
- Interior halogen light
- Bar handle

#### Top oven

- Door hinge small cavity: bottom

#### Main oven

- Door hinge big cavity: Drop down door
- Manual rapid heating up
- Cooling fan

#### Accessories

- 3 x combination grid, 1 x universal pan

### Features

#### Top Oven

- 50 °C

#### Main Oven

#### Main oven

- Heat reflective glass
- Control panel lock
- Energy efficiency rating (acc. EU Nr. 65/2014): B(at a range of energy efficiency classes from A+++ to D)
- Energy consumption per cycle in conventional mode:0.83 kWh
- Energy consumption per cycle in fan-forced convection mode:0.81 kWh
- Number of cavities: Main Cavity Heat source: electrical

#### Technical information

- Nominal voltage: 220 - 240 V
- Total connected load electric: 5.9 KW

#### Top oven

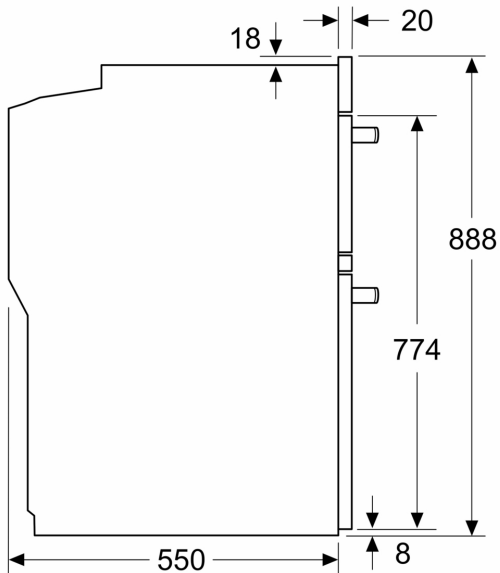
- Energy efficiency rating (acc. EU Nr. 65/2014): B(at a range of energy efficiency classes from A+++ to D)
- Energy consumption per cycle in conventional mode:0.83 kWh
- Number of cavities: Top Cavity Heat source: electrical

#### Performance/technical information

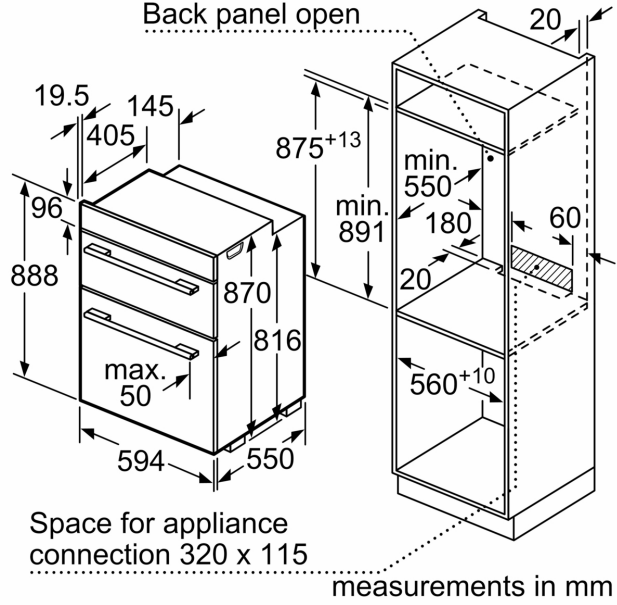
- Appliance dimension (hwxwd): 888 mm x 594 mm x 550 mm
- Niche dimension (hwxwd): 875 mm - 888 mm x 560 mm - 568 mm x 550 mm
- Please refer to the dimensions provided in the installation manual

N 50, BUILT-IN DOUBLE OVEN  
U1ACE2AN3B

measurements in mm



Back panel open



measurements in mm