

**Series 8, Fully-integrated
dishwasher, 60 cm
SMD8YCX03G**



SMZ5300	GlassSecure Tray
SGZ0BI01	decorative strips stainless steel 81,5cm
SGZ0IC00	Small Item Clip for upper rack
SGZ1010	inlet and outlet hose extension
SGZ8BI00	Connection rail for divided furniture
SMZ2056	Attachment door, stainless steel
SMZ5003	Retractable hinge f. high corpus dimens.
SMZ5035	Decor conversion kit, stainless steel
SMZ5100	Vario-cutlery basket

**Energy label A dishwasher, thanks to our
Smart Energy Saving Solutions with no
constraining compromises to perfect
results.**

- **PerfectDry:** perfect drying results with low energy consumption, even for hard-to-dry items.
- **SpeedPerfect+:** Reduced washing time, perfectly cleaned dishes.
- **Silence 50° program:** Reduce the noise to a minimum and enjoy peaceful and quiet dishwashing without compromising on cleanliness.
- **Rackmatic:** even more adjustment options and maximum flexibility.
- **Vario Drawer:** 3rd level loading for cutlery and smaller kitchen utensils.

Energy Efficiency Class: A
 Energy Consumption for 100 cycles Eco Programme: 54 kWh
 Maximum number of place settings: 14
 The water consumption of the eco programme in liters per cycle: 9.5 l
 Programme duration: 4:55 h
 Airborne acoustical noise emissions :44 dB(A) re 1pW
 Airborne acoustical noise emission class:B
 Built-in / Free-standing: Built-in
 Height of removable worktop: 0 mm
 Dimensions of the product (HxWxD):815 x 598 x 550 mm
 Required niche size for installation (HxWxD):815-875 x 600 x 550 mm
 Depth with open door 90 degree: 1150 mm
 Adjustable feet: Yes - all from front
 Maximum adjustability feet: 60 mm
 Adjustable plinth: Both horizontal and vertical
 Net weight:43.6 kg
 Gross weight: 45.5 kg
 Connection rating: 2400 W
 Fuse protection:10 A
 Voltage:220-240 V
 Frequency: 50; 60 Hz
 Length electrical supply cord: 175.0 cm
 Plug type: GB plug
 Length inlet hose: 165 cm
 Length outlet hose: 190 cm
 EAN code:4242005470594
 Installation typology: Integrated



Series 8, Fully-integrated dishwasher, 60 cm SMD8YCX03G

Energy label A dishwasher, thanks to our Smart Energy Saving Solutions with no constraining compromises to perfect results.

Performance

- Energy Efficiency Class¹: A
- Energy² / Water³: 54 kWh / 9.5 litres
- Capacity: 14 place settings
- Programme duration⁴: 4:55 (h:min)
- Noise level: 44 dB(A) re 1 pW
- Noise Efficiency Class: B
- Noise level (silence programme): 43 dB(A) re 1 pW

Programmes / functions

- 8 Programmes: Eco 50 °C, Auto 45-65 °C, Intelligent 40 °C, Intensive 70 °C, Express 60°, Glass 40 °C, Silence 50 °C, Favourite
- Default favourite programme: Pre-Rinse
- 5 special options: Remote Start, Extra Dry, Intensive Zone, Hygiene+, SpeedPerfect+
- Add-On functions via Home Connect app: Silence on Demand
- Machine Care

Flexible design elements

- Max Flex Pro baskets Basket system with red coloured touchpoints
- VarioDrawer
- 3 stage Rackmatic height-adjustable top basket
- Smooth running wheels on upper basket
- Low friction wheels on bottom basket
- Anti-slip protection strips in upper basket
- Rack Stopper to prevent derailing of bottom basket
- 6 foldable plate racks in top basket
- 8 foldable plate racks in bottom basket
- Upper rack cup shelf
- Lower rack cup shelf
- 1x slide prot. glass dg
- Glass rack in bottom basket

Innovations and technology

- Home Connect ready on WLAN
- Zeolith - Energy efficient and perfect drying results
- Extra Clean Zone
- Efficient Dry and Heat Exchanger
- DosageAssist detergent dispenser
- EcoSilence BLDC drive
- Automatic detergent detection
- AquaSensor III
- AquaMix - Glass protection system

Design features

- TFT display with high-definition colour
- Touch Control (metallic)
- Push button top edge controls

- Interior white emotion light
- Real-time clock - actual time is displayed
- TimeLight - Light projection on the floor
- DoorOpen Assist - perfectly designed for kitchens without handles
- Time delay (3, 6 or 24 hours)
- Acoustic end of cycle indicator
- AquaStop: Bosch's warranty in case of water damage - for the lifetime of the appliance. Please find warranty terms under <https://www.bosch-home.co.uk/customer-service/care-protection-and-parts/additional-warranties>
- ChildLock - double push to open
- Self-cleaning filter system with 3 piece corrugated filter
- incl. Steam protection for worktop
- Stainless steel interior
- Dimensions (HxWxD): 81.5 x 59.8 x 55cm

¹ Scale of Energy Efficiency Classes from A to G

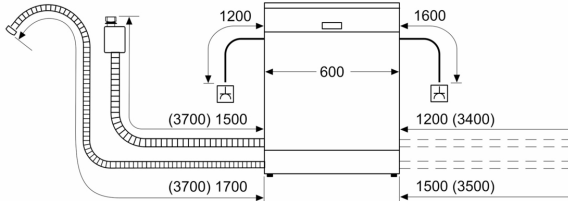
² Energy consumption in kWh per 100 cycles (in programme Eco 50 °C)

³ Water consumption in litres per cycle (in programme Eco 50 °C)

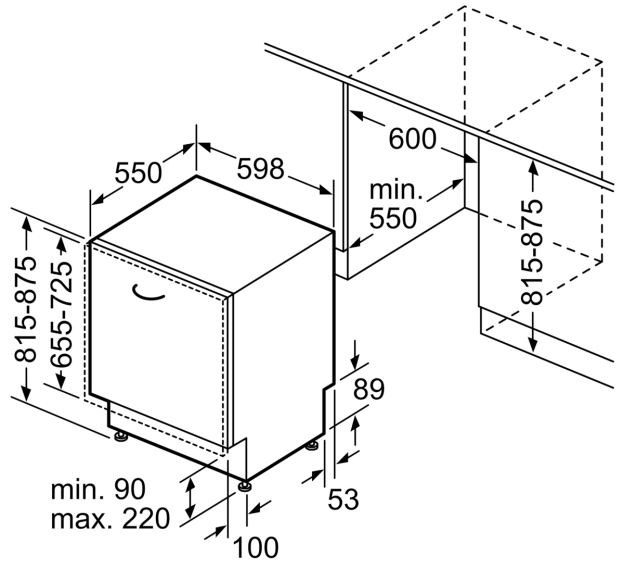
⁴ Duration of programme Eco 50 °C

Series 8, Fully-integrated dishwasher, 60 cm SMD8YCX03G

measurements in mm



⏏ socket
() values with extension kit



measurements in mm