

**Series 6, Built-in modular  
dishwasher, 60 cm, Black  
SCX6ITB00E**



- SGZ3003 Silver polishing cassette
- SMZ1051EU Mains cable with EU-Plug 5m
- HEZ860050 strip
- HEZ860060 strip

**The fully flexible and seamlessly  
integrated solution for your compact  
kitchen without compromising on  
performance and design.**

- **Extra Dry:** extra drying option for difficult-to-dry loads.
- **EcoSilence Drive:** especially energy-saving and silent in operation with a particularly high life span.
- **Active Water:** less water, less energy, better performance.
- **Auto Programmes:** automatically selects the best cleaning performance programme.
- **LED Display:** indicates remaining program time and salt and rinse aid refill reminders.

Energy Efficiency Class: ..... E  
 Energy Consumption for 100 cycles Eco Programme: ..... 65 kWh  
 Maximum number of place settings: ..... 8  
 The water consumption of the eco programme in liters per cycle: 9.0 l  
 Programme duration: ..... 3:55 h  
 Airborne acoustical noise emissions : ..... 47 dB(A) re 1pW  
 Airborne acoustical noise emission class: ..... C  
 Built-in / Free-standing: ..... Built-in  
 Height of removable worktop: ..... 0 mm  
 Dimensions of the product (HxWxD): ..... 595 x 595 x 500 mm  
 Depth with open door 90 degree: ..... 995 mm  
 Adjustable plinth: ..... No  
 Net weight: ..... 25.2 kg  
 Gross weight: ..... 28.0 kg  
 Connection rating: ..... 2400 W  
 Fuse protection: ..... 10 A  
 Voltage: ..... 220-240 V  
 Frequency: ..... 50; 60 Hz  
 Repair index: ..... 8.3  
 Length electrical supply cord: ..... 175.0 cm  
 Plug type: ..... Gardy plug w/ earthing  
 Length inlet hose: ..... 165 cm  
 Length outlet hose: ..... 215 cm  
 EAN code: ..... 4242005498628  
 Installation typology: ..... Table top



## **Series 6, Built-in modular dishwasher, 60 cm, Black SCX6ITB00E**

**The fully flexible and seamlessly  
integrated solution for your compact  
kitchen without compromising on  
performance and design.**

---

### **Performance**

- Energy Efficiency Class<sup>1</sup>: E
- Energy<sup>2</sup> / Water<sup>3</sup>: 65 kWh / 9 litres
- Capacity: 8 place settings
- Programme duration<sup>4</sup>: 3:55 (h:min)
- Noise level: 47 dB(A) re 1 pW
- Noise Efficiency Class: C

### **Programmes / functions**

- 6 programmes: Eco 50 °C, Auto 45-65 °C, Intensive 70 °C, Glass 40 °C, Express 45 °C, Pre rinse
- 4 special options: SpeedPerfect+, Extra Dry, Hygiene+, Intensive Zone

### **Flexible design elements**

- Flexible basket system: – 2 silver-coloured baskets – Foldable plate racks in bottom basket – Variable cutlery basket in bottom basket – Cup shelf in bottom basket

### **Innovations and technology**

- Heat exchanger - Hygienic and efficient drying
- EcoSilence BLDC drive
- Automatic detergent detection
- AquaSensor III
- AquaMix - Glass protection system

### **Design features**

- Touch control
- Full glass door (black glass) incl. Plinth
- Curved spray arms
- Time delay (3, 6 or 24 hours)
- Remaining programme time indicator (min)
- Tamperproof controls
- AquaStop: Bosch's warranty in case of water damage - for the lifetime of the appliance. Please find warranty terms under <https://www.bosch-home.co.uk/customer-service/care-protection-and-parts/additional-warranties>
- aquastop Extension
- Self cleaning filter system with 3 piece corrugated filter
- Stainless steel/Polinox interior
- Dimensions (HxWxD): 59.5 x 59.5 x 50cm

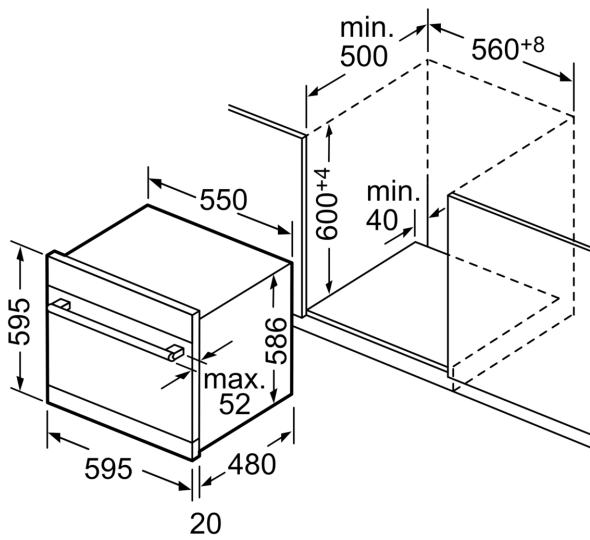
<sup>1</sup> Scale of Energy Efficiency Classes from A to G

<sup>2</sup> Energy consumption in kWh per 100 cycles (in programme Eco 50 °C)

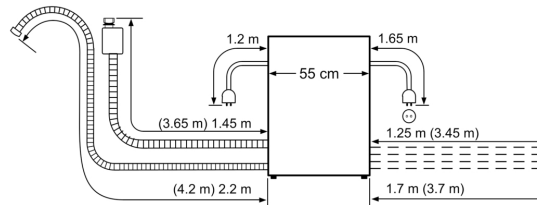
<sup>3</sup> Water consumption in litres per cycle (in programme Eco 50 °C)

<sup>4</sup> Duration of programme Eco 50 °C

**Series 6, Built-in modular  
dishwasher, 60 cm, Black  
SCX6ITB00E**



measurements in mm



Nominal lengths:			
AquaStop:	1.65 m	Extension:	
Drain hose:	2.25 m	AquaStop:	
Mains cable:	1.70 m	Drain hose:	
			2.20 m
			2.00 m