

N 30, FULLY-INTEGRATED DISHWASHER, 60 CM  
S1531TX02G



The dishwasher indicates when it's running and offers a favourite button for customised settings.

- ✓ Home Connect – Add your dishwasher to your home network and enjoy the infinite possibilities of connected services
- ✓ Extra Dry: for difficult-to-dry loads select the extra drying option
- ✓ Chef 70°C – The pro programme that vanishes stubborn residues.
- ✓ Favourite – Easily access your favourite settings or programmes.
- ✓ Info Light – A light projected onto the floor shows you that the dishwasher is in operation.

Energy Efficiency Class: .....E  
 Energy Consumption for 100 cycles Eco Programme: ..... 92 kWh  
 Maximum number of place settings: ..... 12  
 The water consumption of the eco programme in liters per cycle: 10.5 l  
 Programme duration: ..... 4:30 h  
 Airborne acoustical noise emissions : ..... 50 dB(A) re 1pW  
 Airborne acoustical noise emission class: ..... C  
 Built-in / Free-standing: ..... Built-in  
 Height of removable worktop: ..... 0 mm  
 Dimensions of the product (HxWxD): ..... 815 x 598 x 550 mm  
 Min. required niche size for installation (HxWxD): 815-875 x 600 x 550 mm  
 Depth with open door 90 degree: ..... 1150 mm  
 Adjustable feet: ..... Yes - all from front  
 Maximum adjustability feet: ..... 60 mm  
 Adjustable plinth: ..... Both horizontal and vertical  
 Net weight: ..... 30.1 kg  
 Gross weight: ..... 32.2 kg  
 Connection Rating: ..... 2400 W  
 Fuse protection: ..... 10 A  
 Voltage: ..... 220-240 V  
 Frequency: ..... 50; 60 Hz  
 Length electrical supply cord: ..... 175.0 cm  
 Plug type: ..... GB plug  
 Length inlet hose: ..... 165 cm  
 Length outlet hose: ..... 190 cm  
 EAN code: ..... 4242004257288  
 Installation typology: ..... Full-integrated



|          |  |
|----------|--|
| Z7710X0  | inlet and outlet hose extention          |
| Z780BI02 | decorative strips stainless steel 81,5cm |
| Z7863X1  | Rack insert for stemware dishwasher      |
| Z7865X6  | Attachment door, brushed steel           |
| Z7870X0  | Accessories dishwasher                   |
| Z7871X0  | Silver polishing cassette                |
| Z7880X0  | Accessories dishwashers                  |
| Z788BI00 | Connection rail for divided furniture    |

## N 30, FULLY-INTEGRATED DISHWASHER, 60 CM S1531TX02G

### New for 2021

#### Performance

- Energy Efficiency Class<sup>1</sup>: E
- Energy<sup>2</sup> / Water<sup>3</sup>: 92 kWh / 10.5 litres
- Capacity: 12 place settings
- Programme duration<sup>4</sup>: 4:30 (h:min)
- Noise level: 50 dB(A) re 1 pW
- Noise Efficiency Class: C

#### Programmes / functions

- 5 programmes: Eco 50 °C, Auto 45-65 °C, Chef 70 °C, 1h 65 °C, Favourite
- Default favourite programme: Pre-Rinse
- 4 special options: Remote Start, Extra Dry, Power Zone, Speed
- Easy Clean Programme
- Silence on Demand (via app)

#### Flexible design elements

- Normal baskets
- Low friction wheels on bottom basket
- Rack Stopper to prevent derailing of bottom basket
- Cutlery basket in lower rack
- Upper rack cup shelf
- Glass holder in top basket

#### Innovations and technology

- Home Connect - Wi Fi enabled, for dishwasher control
- Efficient SilentDrive BLDC motor
- DosageAssist detergent dispenser
- DetergentAware
- AquaSensor®
- Neff Sparkle - glass care system

#### Design features

- Push button top controls
- InfoLight (Red) - Light projection on the floor
- Time delay (3, 6 or 9 hours)
- Aqua Stop: Neff's warranty in case of water damage – throughout the lifetime of the appliance.\*
- Self cleaning filter system with 3 piece corrugated filter
- Large item spray head, steam protection plate
- Stainless steel/Polinox interior
- Dimensions (HxWxD): 81.5 x 59.8 x 55cm

<sup>1</sup> Scale of Energy Efficiency Classes from A to G

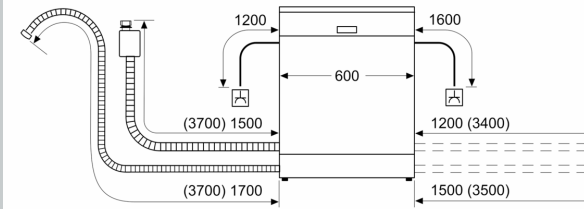
<sup>2</sup> Energy consumption in kWh per 100 cycles (in programme Eco 50 °C)

<sup>3</sup> Water consumption in litres per cycle (in programme Eco 50 °C)

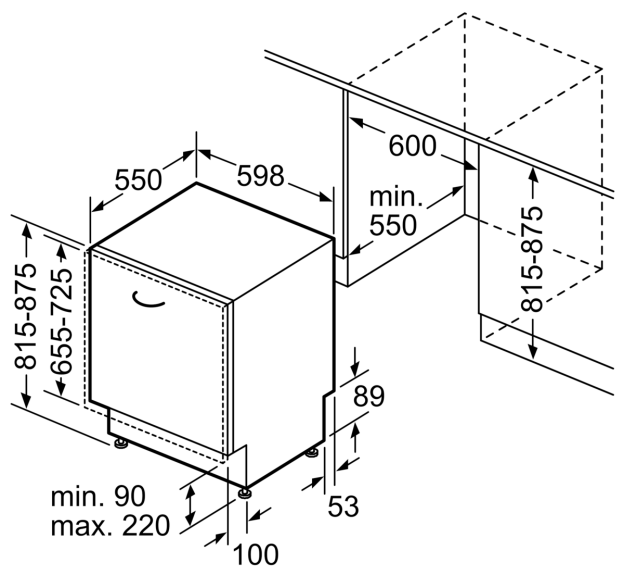
<sup>4</sup> Duration of programme Eco 50 °C

N 30, FULLY-INTEGRATED DISHWASHER, 60 CM  
S1531TX02G

measurements in mm



⚡ socket  
( ) values with extension kit



measurements in mm