

N 30, FULLY-INTEGRATED DISHWASHER, 60 CM
S153HCX02G



The dishwasher with Flex Cutlery Drawer that's practical to load and indicates when it's running.

- ✓ Home Connect – Add your dishwasher to your home network and enjoy the infinite possibilities of connected services
- ✓ Flex 1 Baskets – Flexible Baskets with Rack Matic and Flex Cutlery Drawer for convenient loading freedom
- ✓ Chef 70°C – The pro programme that vanishes stubborn residues.
- ✓ Favourite – Easily access your favourite settings or programmes.
- ✓ Info Light – A light projected onto the floor shows you that the dishwasher is in operation.

Energy Efficiency Class: D
 Energy Consumption for 100 cycles Eco Programme: 85 kWh
 Maximum number of place settings: 14
 The water consumption of the eco programme in liters per cycle: 9.5 l
 Programme duration: 4:55 h
 Airborne acoustical noise emissions : 48 dB(A) re 1pW
 Airborne acoustical noise emission class: C
 Built-in / Free-standing: Built-in
 Height of removable worktop: 0 mm
 Dimensions of the product (HxWxD): 815 x 598 x 550 mm
 Min. required niche size for installation (HxWxD): 815-875 x 600 x 550 mm
 Depth with open door 90 degree: 1150 mm
 Adjustable feet: Yes - all from front
 Maximum adjustability feet: 60 mm
 Adjustable plinth: Both horizontal and vertical
 Net weight: 34.4 kg
 Gross weight: 36.5 kg
 Connection Rating: 2400 W
 Fuse protection: 10 A
 Voltage: 220-240 V
 Frequency: 50; 60 Hz
 Length electrical supply cord: 175.0 cm
 Plug type: GB plug
 Length inlet hose: 165 cm
 Length outlet hose: 190 cm
 EAN code: 4242004247067
 Installation typology: Full-integrated



Z7710X0	inlet and outlet hose extention
Z780BI01	decorative strips stainless steel 81,5cm
Z7860X3	Stainless steel protection set 81,5 cm
Z7863X0	Cutlery basket
Z7863X1	Rack insert for stemware dishwasher
Z7870X0	Accessories dishwasher
Z7880X0	Accessories dishwashers
Z788BI00	Connection rail for divided furniture

N 30, FULLY-INTEGRATED DISHWASHER, 60 CM S153HCX02G

New for 2021

⁴ Duration of programme Eco 50 °C

Performance

- Energy Efficiency Class¹: D
- Energy² / Water³: 85 kWh / 9.5 litres
- Capacity: 14 place settings
- Programme duration⁴: 4:55 (h:min)
- Noise level: 48 dB(A) re 1 pW
- Noise Efficiency Class: C

Programmes / functions

- 5 programmes: Eco 50 °C, Auto 45-65 °C, Chef 70 °C, Classic 60 °C, Favourite
- Default favourite programme: Pre-Rinse
- 4 special options: Remote Start, Extra Dry, Power Zone, Extra Speed
- Easy Clean Programme
- Silence on Demand (via app)

Flexible design elements

- Flex 1 basket system
- Flex Cutlery Drawer - loading on 3rd level
- 3 stage Rackmatic height-adjustable top basket
- Low friction wheels on bottom basket
- Rack Stopper to prevent derailing of bottom basket
- 2 foldable plate racks in top basket
- 2 foldable plate racks in bottom basket
- Upper rack cup shelf
- Lower rack cup shelf

Innovations and technology

- Home Connect - Wi Fi enabled, for dishwasher control
- Heat exchanger.
- Efficient SilentDrive BLDC motor
- DosageAssist detergent dispenser
- DetergentAware
- AquaSensor®
- Neff Sparkle - glass care system

Design features

- Push button top controls
- InfoLight (Red) - Light projection on the floor
- Time delay (3, 6 or 9 hours)
- Aqua Stop: Neff's warranty in case of water damage – throughout the lifetime of the appliance.*
- Self-cleaning filter system with 3 piece corrugated filter
- Large item spray head, steam protection plate
- Stainless steel interior
- Dimensions (HxWxD): 81.5 x 59.8 x 55cm

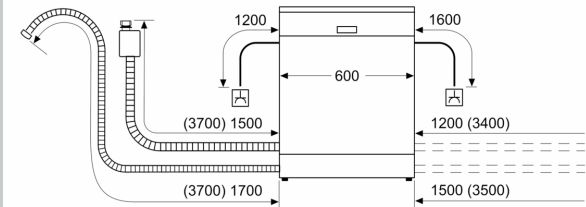
¹ Scale of Energy Efficiency Classes from A to G

² Energy consumption in kWh per 100 cycles (in programme Eco 50 °C)

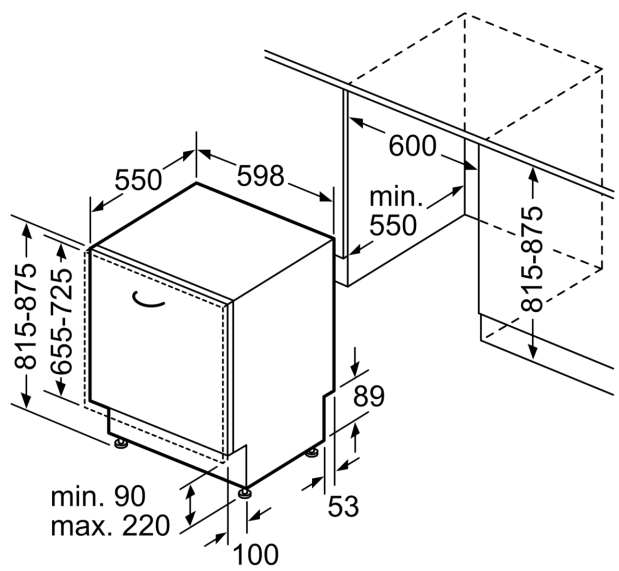
³ Water consumption in litres per cycle (in programme Eco 50 °C)

N 30, FULLY-INTEGRATED DISHWASHER, 60 CM
S153HCX02G

measurements in mm



⚡ socket
() values with extension kit



measurements in mm