

N 70, BUILT-IN MICROWAVE OVEN,  
GRAPHITE-GREY  
NR4GR31G1B



Built-in microwave for upper cabinets

- ✓ 3.7-inch Full Touch TFT Display: intuitive navigation for easy use and complete control.
- ✓ Automatic Meal Settings: preselected programmes to cook a wide variety of dishes with ease.
- ✓ Microwave - high wattage and low effort for quick meals
- ✓ Inverter Technology: gradual, even heating for your meals.
- ✓ Easy Clean – easy cleaning within a couple of minutes

Type of micro-wave oven: ..... MW+Grill function  
 Type of control: ..... Electronic  
 Dimensions: ..... 382 x 596 x 318 mm  
 Cavity dimensions: ..... 220 x 350 x 270 mm  
 Length electrical supply cord: ..... 175.0 cm  
 Net weight: ..... 18.8 kg  
 Gross weight: ..... 20.9 kg  
 EAN code: ..... 4242004266686  
 Maximum micro-wave power: ..... 900 W  
 Connection Rating: ..... 1990 W  
 Fuse protection: ..... 10 A  
 Voltage: ..... 220-240 V  
 Frequency: ..... 50; 60 Hz  
 Plug type: ..... GB plug  
 Included accessories: ..... 1 x grid, 1 x Glass tray



N 70, BUILT-IN MICROWAVE OVEN,  
GRAPHITE-GREY  
NR4GR31G1B

- Intelligent microwave inverter technology: For optimised results maximum output power will be regulated to 600 W when used in longer operation for gentler cooking.

#### Design

- Graphite-Grey Edition
- Touch control
- Touch key operation
- stainless steel, Ceramic glass base cavity with Ceramic glass base, stainless steel

#### Features

- User-friendly electronics: extremely
- easy and comfortable operation
- Start button
- Door contact switch

#### Programmes/functions

- 90-180-360-600-900 Watts and the following options 180 W, 360 W, 600 W, 90 W, 900 W
- 1.3 KW grill function
- Grill and microwave power levels 90 W, 180 W, 360 W combinable
- Number of automatic programmes: 10 PC
- LED light
- Electronic clock timer
- Right hinged door
- Cooling fan

#### Cleaning

- EasyClean
- Grill with selfclean coating

#### Accessories

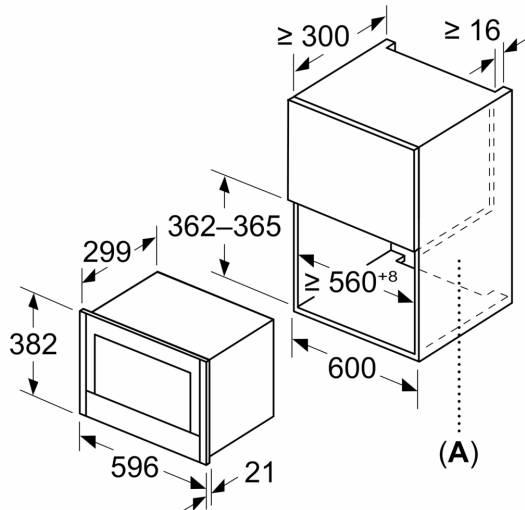
- 1 x Glass tray, 1 x grid

#### Performance/technical information

- Total connected load electric: 1.99 KW
- Nominal voltage: 220 - 240 V
- Cavity volume: 21 l
- Appliance dimension (hxwxh): 382 mm x 596 mm x 318 mm
- Niche dimension (hxwxh): 362 mm - 382 mm x 560 mm - 568 mm x 300 mm
- Frameless installation recommended for wall units, but also suitable for tall housing
- Please refer to the dimensions provided in the installation manual

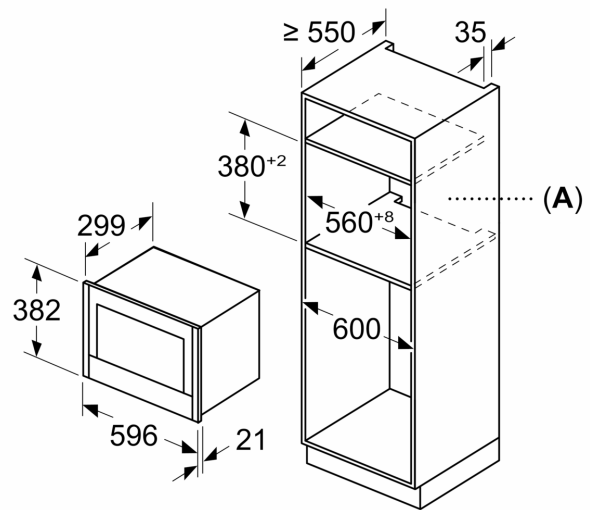
N 70, BUILT-IN MICROWAVE OVEN,  
GRAPHITE-GREY  
NR4GR31G1B

Measurements in mm



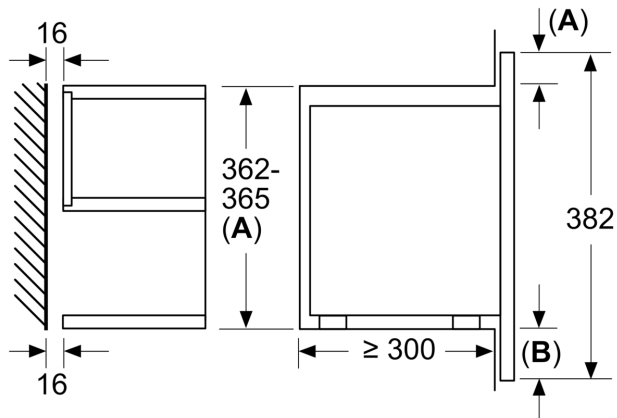
A: Back wall open

Measurements in mm



A: Back wall open

measurements in mm



A: Overhang at top:  
Recess 362: 6 mm  
Recess 365: 3 mm  
B: Overhang at bottom: 14 mm