

iQ500, Ceiling cooker hood, 90 cm, Stainless steel LR97CAQ50B



A



The ceiling hood perfectly integrates into your kitchen to effectively remove grease and odours with its high extraction rate and sleek, modern design.

- ✓ iQdrive motor - The quiet, high-performance motor ensures efficient removal of odours and steam.
- ✓ cookConnect – Use your hob to control your extractor hood’s power level and lighting.
- ✓ voiceControl – Control hood functions and lighting using your voice.
- ✓ Home Connect – The app that makes your hood work smarter.
- ✓ Peace of mind is just a click away - remoteMonitoring.

LZ00XXP00	Long Life odor filter (replacement)
LZ20JCD20	Long Life recirc. kit external white
LZ20JCD50	Long Life recirc. kit external inox
LZ21JCC26	Clean Air Plus recirc.kit external white
LZ21JCC56	Clean Air Plus recirc. kit external inox
LZ31XXB16	Clean Air Plus odor filter (replacement)

Typology:	Island/Ceiling
Length electrical supply cord:	130.0 cm
Min. required niche size for installation (HxWxD):	299mm x 888.0mm x 487mm mm
Minimum distance above an electric hob:	650 mm
Minimum distance above a gas hob:	650 mm
Weight:	22.4 kg
Control panel:	Electronic
Number of speed settings:	3-stage + 2 intensive
Maximum output air extraction:	459 m³/h
Boost position output recirculating:	565.0 m³/h
Maximum output recirculating air:	422 m³/h
Boost position air extraction:	798 m³/h
Maximum Air flow:	459 m³/h
Number of lights:	4
Noise level:	56 dB(A) re 1 pW
Diameter of air outlet:	150 mm
Grease filter material:	Washable stainless steel
EAN code:	4242003834022
Connection Rating:	174 W
Nominal power:	220-240 V
Frequency:	50; 60 Hz
Plug type:	GB plug
Installation type:	Island
Delay Shut off modes:	10 min



iQ500, Ceiling cooker hood, 90 cm, Stainless steel LR97CAQ50B

Key performance features:

- Energy Efficiency Class: A (at a range of energy efficiency classes from A+++ to D)
- Extraction rate according to EN 61591 ø 15 cm:
- max. Normal use: 458 m³/h
- Intensive: 798 m³/h
- Noise max. Normal Level: Noise, max. speed in normal use: 56 dB dB*

Home Connect: Remote Monitoring and Control

- Home Connect: Remote Monitoring and Control for connected home appliances and operation via smartphone or tablet (only in countries where Home Connect service is available)
- The Home Connect functionality can be extended by integrating numerous applications from external cooperation partners (partnerships)
- Voice Control enabled via popular voice assistants (only in countries where this service is available)
- Interval function: available via Home Connect
- Silence function: available via Home Connect

Features

- cookConnect hob based hood control
- 3 power levels and 2 intensive settings
- Automatic intensive revert (6mins)
- softLight with dimmer function
- 4 x 3W LED Lights
- Efficient BLDC motor
- Twin channel high performance fan motor
- Interval operation
- Automatic after running (Automatic after running (10 minutes))
- Grease and charcoal filter saturation indicators
- 2 x metal grease filter cassettes
- Steel filter cover, Steel filter cover
- Infrared remote control
- Rim ventilation
- Easy to clean inner frame

Design

- Stainless Steel
- Installation: Ceiling
- Rotatable motor: possible to position the air outlet on all four sides
- Electronic control

Performance/technical information

- Suitable for ducted and re-circulating operation
- For recirculated extraction a recirculating kit or a CleanAir recirculation kit (accessory) is needed
- Max. extraction rate: 798 m³/h
- Noise level according to EN 60704-3 and EN 60704-2-13 exhaust air:
- Max. normal use: 56 dB(A) re 1 pW
- Intensive: 68 dB(A) re 1 pW

- With the Clean Air Plus recirculation kit (available as optional accessory) your appliances reaches:
- Extraction rate in recirculation mode: Max. normal use: 422 m³/h
- Intensive: 565 m³/h
- Noise level in recirculation mode with Clean Air Plus odor filter : Max. normal use: 63 dB(A) re 1 pW
- Intensive: 69 dB(A) re 1 pW
- Power rating: 174 W
- Light Intensity: 659 lux
- Colour Temperature: 3500 K
- Electrical cable length 1.3 m
- Diameter pipe ø 150 mm (ø 150 mm enclosed)
- Dimensions exhaust air (HxWxD): 300-300 x 900 x 500 mm
- Dimensions recirculating, chimney (HxWxD): 300-300 x 900 x 500 mm
- Blower Efficiency Class: A*
- Lighting Efficiency Class: A*
- Grease Filtering Efficiency Class: E*
- Average Energy Consumption: 34 kWh/year*

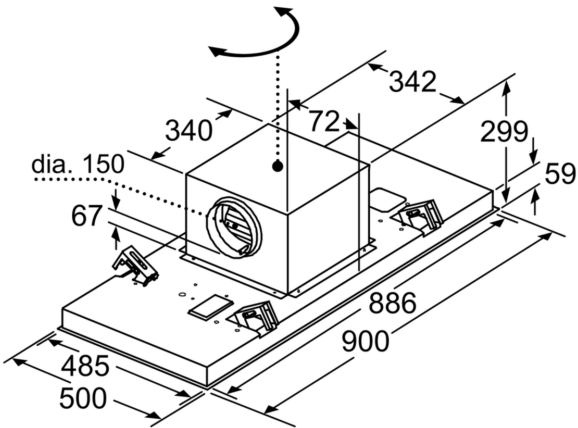
Optional accessories

- Recirculating kit LZ00XXP00

* In accordance with the EU-Regulation No 65/2014

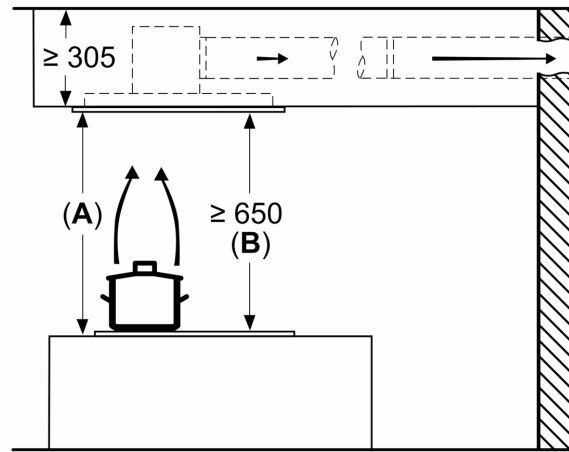
**iQ500, Ceiling cooker hood, 90 cm, Stainless steel
LR97CAQ50B**

The fan outlet can be turned in all four directions



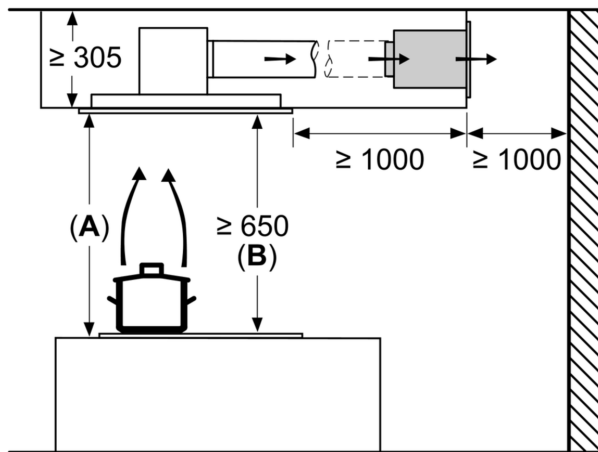
measurements in mm

measurements in mm
Air extraction



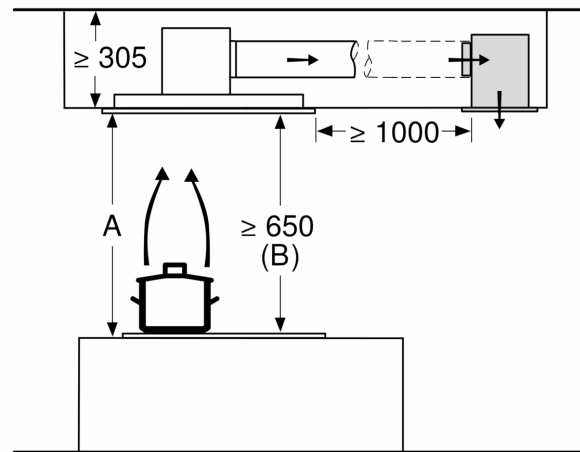
A: Optimum performance 700-1500
B: From upper edge of pan support

measurements in mm
Air recirculation

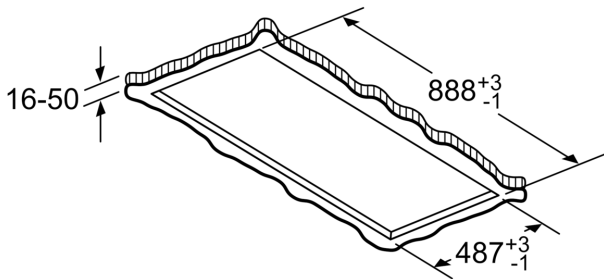


A: Optimum performance 700-1500
B: From upper edge of pan support

measurements in mm
Air recirculation



A: Optimum performance 700-1500
B: From upper edge of pan support



Never fit directly onto plasterboard or similar lightweight construction materials of the suspended ceiling. A suitable substructure is required that is securely fixed to the concrete ceiling.

measurements in mm