

iQ500, Ceiling cooker hood, 90 cm, Stainless steel LR96CAQ50B



B



- LZ21JCB11 Clean Air Standard odor filter (repl.)
- LZ21JXC21 Clean Air Stand. recirc. kit ext. white
- LZ21JXC51 Clean Air Standard recirc. kit ext. inox

The high-performance ceiling hood is designed with reduced height 18.9cm flat motor housing for flush installation, and is always at your service thanks to voice control.

- ✓ iQdrive motor - The quiet, high-performance motor ensures efficient removal of odours and steam.
- ✓ cookConnect – Use your hob to control your extractor hood’s power level and lighting.
- ✓ voiceControl – Control hood functions and lighting using your voice.
- ✓ Home Connect – The app that makes your hood work smarter.
- ✓ Peace of mind is just a click away - remoteMonitoring.

Typology: Island/Ceiling
 Length electrical supply cord: 130.0 cm
 Min. required niche size for installation (HxWxD): 189mm x 888.0mm x 487mm mm
 Minimum distance above an electric hob:650 mm
 Minimum distance above a gas hob: 650 mm
 Weight: 22.0 kg
 Control panel:Electronic
 Number of speed settings: 3-stage + 2 intensive
 Maximum output air extraction:434 m³/h
 Boost position output recirculating:574.0 m³/h
 Maximum output recirculating air: 336 m³/h
 Boost position air extraction:734 m³/h
 Maximum Air flow: 434 m³/h
 Number of lights:4
 Noise level:61 dB(A) re 1 pW
 Diameter of air outlet:150 mm
 Grease filter material: Washable stainless steel
 EAN code:4242003862926
 Connection Rating: 204 W
 Nominal power: 220-240 V
 Frequency:50; 60 Hz
 Plug type: GB plug
 Installation type: Island
 Delay Shut off modes: 10 min



iQ500, Ceiling cooker hood, 90 cm, Stainless steel LR96CAQ50B

Key performance features:

- Energy Efficiency Class: B (at a range of energy efficiency classes from A+++ to D)
- Extraction rate according to EN 61591 \varnothing 15 cm:
- max. Normal use: 434 m³/h
- Intensive: 734 m³/h
- Noise max. Normal Level: Noise, max. speed in normal us: 61 dB dB*

Home Connect: Remote Monitoring and Control

- cookConnect hob based hood control
- Voice Control enabled via popular voice assistants (only in countries where this service is available)
- Home Connect: Remote Monitoring and Control for connected home appliances and operation via smartphone or tablet (only in countries where Home Connect service is available)
- The Home Connect functionality can be extended by integrating numerous applications from external cooperation partners (partnerships)
- Adjustable color temperature (2.700 K - 5.000 K) for adaption to the room lighting available via Home Connect
- Interval function: available via Home Connect
- Silence function: available via Home Connect

Features

- 3 power levels and 2 intensive settings
- Automatic intensive revert (6mins)
- 4 x 3W LED Lights
- softLight with dimmer function
- Automatic after running (Automatic after running (10 minutes))
- Infrared remote control
- Efficient BLDC motor
- Twin channel high performance fan motor
- Interval operation
- Steel filter cover, Steel filter cover
- 2 x metal grease filter cassettes
- Grease and charcoal filter saturation indicators
- Easy to clean inner frame

Design

- Electronic control
- Rim ventilation
- Stainless Steel
- Installation: Ceiling

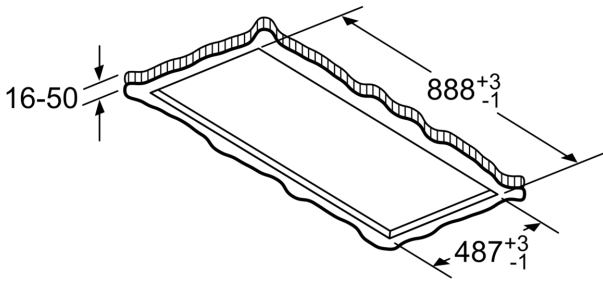
Performance/technical information

- Suitable for ducted and re-circulating operation
- For recirculated extraction a recirculating kit or a CleanAir recirculation kit (accessory) is needed
- Max. extraction rate: 734 m³/h
- Extraction rate in recirculation mode:
- Max. normal use: 336 m³/h
- Intensive: 574 m³/h

- Noise level according to EN 60704-3 and EN 60704-2-13 exhaust air:
- Max. normal use: 61 dB(A) re 1 pW
- Intensive: 72 dB(A) re 1 pW
- Noise levels in recirculation mode:
- Max. normal use: 61 dB(A) re 1 pW
- Intensive: 74 dB(A) re 1 pW
- Power rating: 204 W
- Light Intensity: 659 lux
- Colour Temperature: 3500 K
- Electrical cable length 1.3 m
- Diameter pipe \varnothing 150 mm (\varnothing 150 mm enclosed)
- Dimensions exhaust air (HxWxD): 189-189 x 900 x 500 mm
- Dimensions recirculating, chimney (HxWxD): 189-189 x 900 x 500mm
- Blower Efficiency Class: A*
- Lighting Efficiency Class: A*
- Grease Filtering Efficiency Class: E*
- Average Energy Consumption: 35.1 kWh/year*

* In accordance with the EU-Regulation No 65/2014

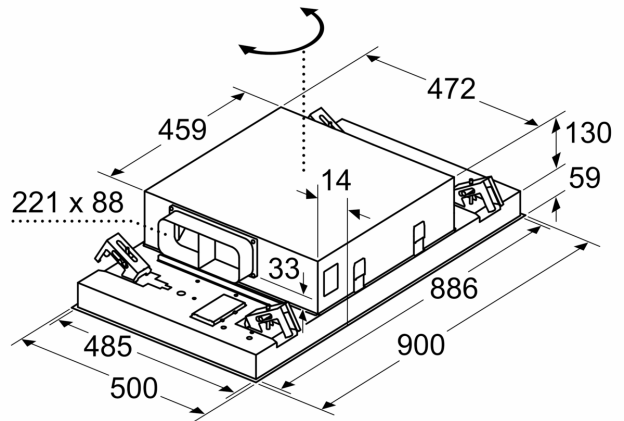
**iQ500, Ceiling cooker hood, 90 cm, Stainless steel
LR96CAQ50B**



Never fit directly onto plasterboard or similar lightweight construction materials of the suspended ceiling. A suitable substructure is required that is securely fixed to the concrete ceiling.

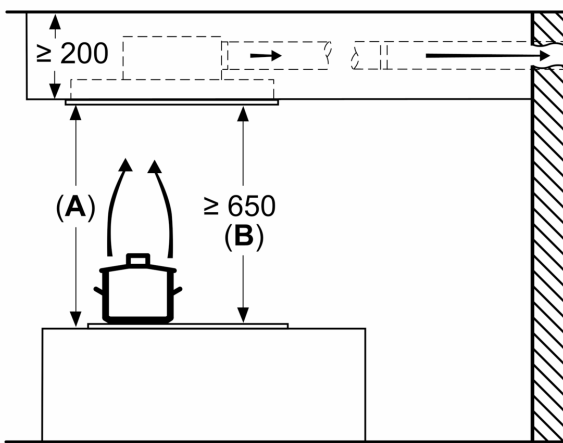
measurements in mm

Measurements in mm



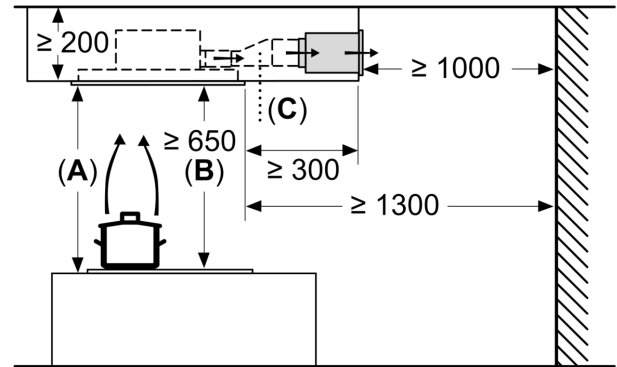
The fan outlet can be turned in all four directions

measurements in mm
Air extraction



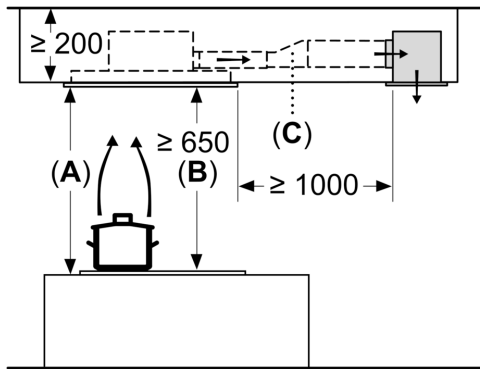
A: Optimum performance 700-1500
B: From upper edge of pan support

measurements in mm
Air recirculation



A: Optimum performance 700-1500
B: From upper edge of pan support
C: Connector (from a flat duct to a circular duct).
Not included in the scope of delivery.

measurements in mm
Air recirculation



- A:** Optimum performance 700-1500
- B:** From upper edge of pan support
- C:** Connector (from a flat duct to a circular duct).
Not included in the scope of delivery.