

iQ300, Wall-mounted cooker hood, 90 cm, clear glass LC97AFM50B



B

Glass design extractor hood with a high extraction rate.

- ✓ LED lights: for optimal visibility and ambience while cooking.
- ✓ touchControl: quickly and easily manage the power levels and the LED light

LZ12250 Chimney extension 1000 mm, LZ12350 Chimney extension 1500 mm, LZ31XXB16 Clean Air Plus odor filter (replacement), LZ50960 Backboard 90x65cm, LZ50961 Backboard 90 x 72 cm, LZ10FXJ00 Long Life recirculation kit, LZ11DXB14 Clean Air Standard odor filter (repl.), LZ11DXI14 Clean Air Standard recirculation kit, LZ11DXI16 Clean Air Plus recirculation kit, LZ11FXC56 Clean Air Plus recirc. kit external, LZ11FXD51 Long Life recirculation kit external, LZ00XXP00 Long Life odor filter (replacement), LZ10DXA00 Standard odor filter (replacement), LZ10DXU00 Standard recirculation kit

Typology: Wall-mounted
 Length electrical supply cord: 130.0 cm
 Height of the chimney: 576-897/576-1007 mm
 Height of the appliance: 50 mm
 Minimum distance above an electric hob: 550 mm
 Minimum distance above a gas hob: 650 mm
 Weight: 16.0 kg
 Control panel: Electronic
 Number of speed settings: 3-stages + intensive setting
 Maximum output air extraction: 464 m³/h
 Boost position output recirculating: 499 m³/h
 Maximum output recirculating air: 404 m³/h
 Boost position air extraction: 702 m³/h
 Maximum Air flow: 464 m³/h
 Number of lights: 2
 Noise level: 67 dB(A) re 1pW
 Diameter of air outlet: 120 / 150 mm
 Grease filter material: Washable stainless steel
 EAN code: 4242003811245
 Connection Rating: 255 W
 Fuse protection: 10 A
 Nominal power: 220-240 V
 Frequency: 50; 60 Hz
 Plug type: GB plug
 Installation type: Wall-mounted



iQ300, Wall-mounted cooker hood, 90 cm, clear glass LC97AFM50B

Key performance features:

- Energy Efficiency Class: B (at a range of energy efficiency classes from A+++ to D)
- Extraction rate according to EN 61591 ø 15 cm:
- max. Normal use: 463 m³/h
- Intensive: 702 m³/h
- Noise max. Normal Level: Noise, max. speed in normal use: 67 dB dB*

Features

- touchControl for extractor speeds and light
- touchControl with Electronic display
- 3 x power levels plus intensive setting
- Twin channel high performance fan motor
- 2 x 1.5W LED
- Colour Temperature: 3500 K
- Automatic intensive revert (6mins)
- 1 x metal grease filter cassette
- Steel filter cover
- Installation: wall

Design

- Chimney hood
- Electronic control

Performance/technical information

- Suitable for ducted and re-circulating operation
- For recirculated extraction a recirculating kit or a CleanAir recirculation kit (accessory) is needed
- Max. extraction rate: 702 m³/h
- Noise level according to EN 60704-3 and EN 60704-2-13 exhaust air:
- Max. normal use: 67 dB(A) re 1 pW
- Intensive: 74 dB(A) re 1 pW
- With the Clean Air Plus recirculation kit (available as optional accessory) your appliances reaches:
- Extraction rate in recirculation mode: Max. normal use: 404 m³/h
- Intensive: 499 m³/h
- Noise level in recirculation mode: Max. normal use: 72 dB(A) re 1 pW
- Intensive: 76 dB(A) re 1 pW
- Power rating: 255 W
- Light Intensity: 232 lux
- Electrical cable length 1.3 m
- Diameter pipe Ø 150 mm (Ø 120 mm enclosed)
- Dimensions exhaust air (HxWxD): 617-947 x 900 x 488 mm
- Dimensions recirculating, chimney (HxWxD): 617-1057 x 900 x 488 mm
- Dimensions recirculating with CleanAir module (HxWxD):
- 686 x 900 x 488 mm - mounting with outer chimney
- 815-1145 x 900 x 488 mm - mounting with telescopic chimney
- Blower Efficiency Class: B*
- Lighting Efficiency Class: A*

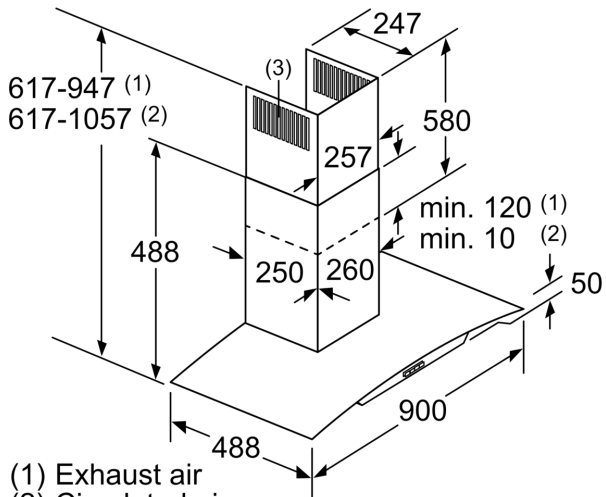
- Grease Filtering Efficiency Class: B*
- Average Energy Consumption: 58 kWh/year*

Optional accessories

- Recirculating kit LZ12250

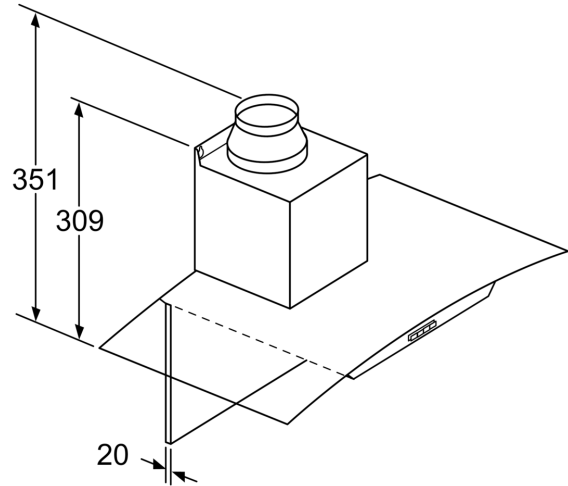
* In accordance with the EU-Regulation No 65/2014

iQ300, Wall-mounted cooker hood, 90 cm, clear glass LC97AFM50B



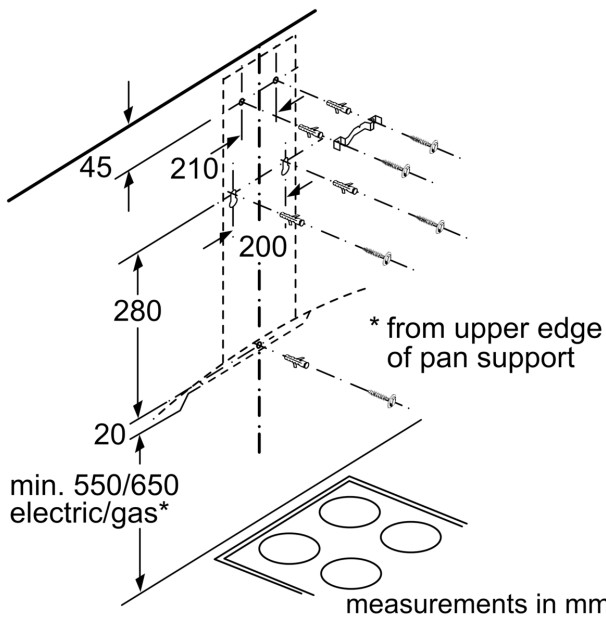
- (1) Exhaust air
- (2) Circulated air
- (3) Air outlet – slots for exhaust air to be mounted facing down

measurements in mm

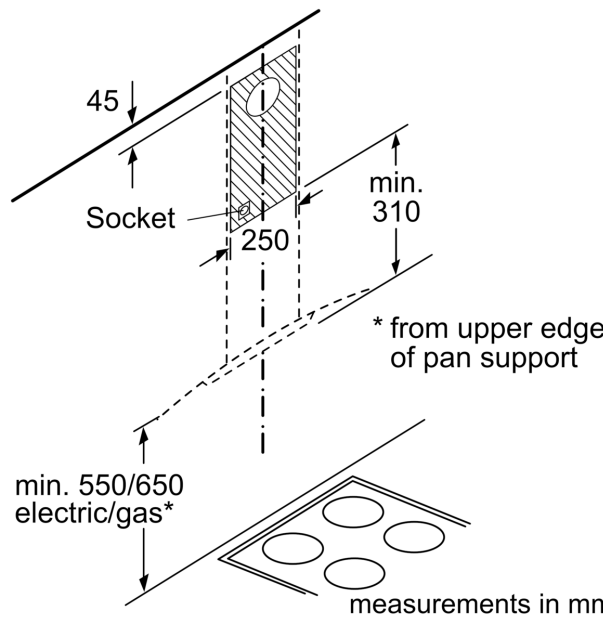


If a back panel is used, the design of the appliance must be considered.

measurements in mm

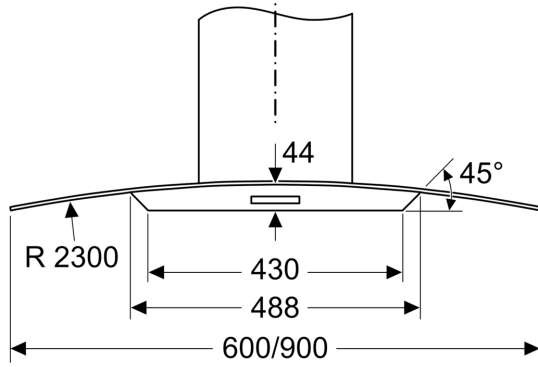


measurements in mm



measurements in mm

measurements in mm



Dimensions for designing rear wall panels. Please ensure that all dimensions are within the tolerances. The actual dimensions must be checked on the appliance in question.