

iQ700, Wall-mounted cooker hood, 90 cm, Stainless steel LC91BUV50B



A+



LZ50960 Backboard 90x65cm, LZ50961 Backboard 90 x 72 cm, LZ53450 Standard recirculation kit, LZ53451 Standard odor filter (replacement), LZ00XXP00 Long Life odor filter (replacement), LZ10FXJ05 Long Life recirculation kit, LZ11CXI16 Clean Air Plus recirculation kit, LZ12265 Chimney extension 1000 mm, LZ12365 Chimney extension 1500 mm, LZ12CBI14 Clean Air Standard recirculation kit, LZ12CXC56 Clean Air Plus recirc. kit external, LZ12FXD51 Long Life recirculation kit external, LZ31XXB16 Clean Air Plus odor filter (replacement), LZ32CBB14 Clean Air Standard odor filter (repl.)

The wall mounted chimney hood features a very high extraction rate in a distinguished design that coordinates with a range of Siemens appliances, as well as your kitchen.

- ✓ iQdrive motor - The quiet, high-performance motor ensures efficient removal of odours and steam.
- ✓ cookConnect and climateControl sensor: detects and removes steam and odours automatically
- ✓ voiceControl – Control hood functions and lighting using your voice.
- ✓ Home Connect – The app that makes your hood work smarter.
- ✓ Peace of mind is just a click away - remoteMonitoring.

Typology:	Wall-mounted
Length electrical supply cord:	130.0 cm
Height of the chimney:	582-908/568-1018 mm
Height of the appliance:	46 mm
Minimum distance above an electric hob:	550 mm
Minimum distance above a gas hob:	650 mm
Weight:	19.2 kg
Control panel:	Electronic
Number of speed settings:	3-stage + 2 intensive
Maximum output air extraction:	602 m³/h
Boost position output recirculating:	561 m³/h
Maximum output recirculating air:	462 m³/h
Boost position air extraction:	965 m³/h
Maximum Air flow:	602 m³/h
Number of lights:	3
Noise level:	64 dB(A) re 1pW
Diameter of air outlet:	120 / 150 mm
Grease filter material:	Washable stainless steel
EAN code:	4242003832011
Connection Rating:	265 W
Fuse protection:	10 A
Nominal power:	220-240 V
Frequency:	50; 60 Hz
Plug type:	GB plug
Installation type:	Wall-mounted
Delay Shut off modes:	10 min



iQ700, Wall-mounted cooker hood, 90 cm, Stainless steel LC91BUV50B

Key performance features:

- Energy Efficiency Class: A+ (at a range of energy efficiency classes from A+++ to D)
- Extraction rate according to EN 61591 ø 15 cm:
- max. Normal use: 602 m³/h
- Intensive: 965 m³/h
- Noise max. Normal Level: Noise, max. speed in normal use: 64 dB dB*

Home Connect: Remote Monitoring and Control

- Home Connect: Remote Monitoring and Control for connected home appliances and operation via smartphone or tablet (only in countries where Home Connect service is available)
- The Home Connect functionality can be extended by integrating numerous applications from external cooperation partners (partnerships)
- Voice Control enabled via popular voice assistants (only in countries where this service is available)
- Interval function: available via Home Connect
- Silence function: available via Home Connect

Features

- climateControl sensor
- cookConnect hob based hood control
- touchControl with 7-segment display
- softLight with dimmer function
- 3 x 1.5W LED
- Fully automatic hood
- 3 power levels and 2 intensive settings
- Efficient BLDC motor
- Twin channel high performance fan motor
- Automatic after running (Automatic after running (10 minutes))
- Automatic intensive revert (6mins)
- Steel filter cover
- 3 x metal grease filter cassettes - dishwasher safe
- Grease and charcoal filter saturation indicators
- Additional noise reduction insulation

Design

- Chimney hood
- Stainless Steel
- Installation: wall
- Electronic control

Performance/technical information

- Suitable for ducted and re-circulating operation
- For recirculated extraction a recirculating kit or a CleanAir recirculation kit (accessory) is needed
- Max. extraction rate: 965 m³/h
- Noise level according to EN 60704-3 and EN 60704-2-13 exhaust air:
- Max. normal use: 64 dB(A) re 1 pW
- Intensive: 73 dB(A) re 1 pW

- With the Clean Air Plus recirculation kit (available as optional accessory) your appliances reaches:
- Extraction rate in recirculation mode: Max. normal use: 462 m³/h
- Intensive: 561 m³/h
- Noise level in recirculation mode: Max. normal use: 68 dB(A) re 1 pW
- Intensive: 72 dB(A) re 1 pW
- Power rating: 265 W
- Light Intensity: 374 lux
- Colour Temperature: 3500 K
- Electrical cable length 1.3 m
- Diameter pipe Ø 150 mm (Ø 120 mm enclosed)
- Dimensions exhaust air (HxWxD): 614-954 x 898 x 500 mm
- Dimensions recirculating, chimney (HxWxD): 614-1064 x 898 x 500 mm
- Blower Efficiency Class: A*
- Lighting Efficiency Class: A*
- Grease Filtering Efficiency Class: B*
- Average Energy Consumption: 34.1 kWh/year*

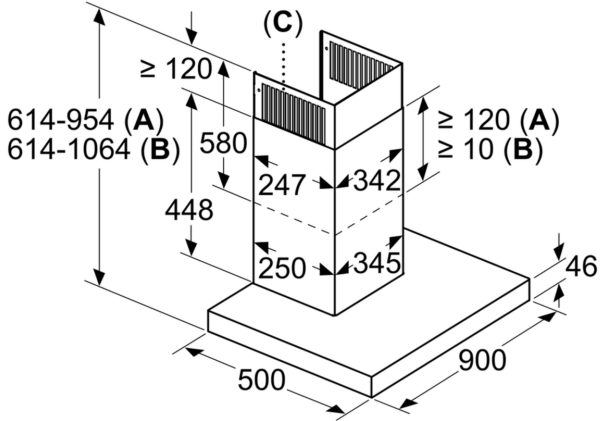
Optional accessories

- Recirculating kit LZ50960

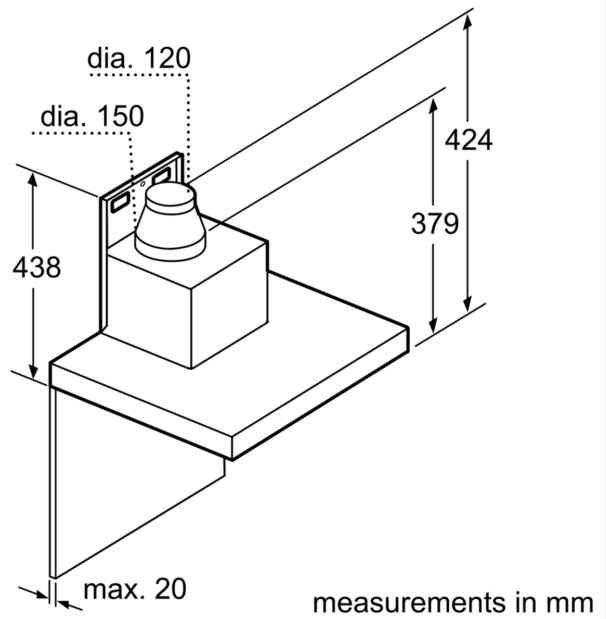
* In accordance with the EU-Regulation No 65/2014

iQ700, Wall-mounted cooker hood, 90 cm, Stainless steel
LC91BUV50B

measurements in mm

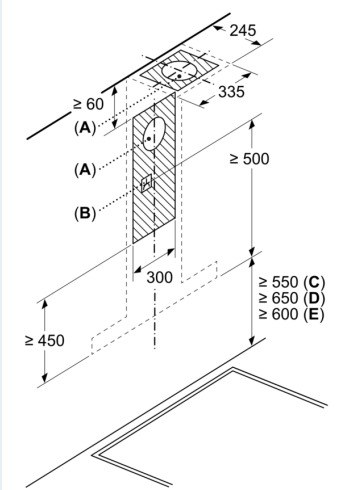


- A: Air extraction
- B: Air recirculation
- C: Air outlet – slots for exhaust air to be mounted facing down



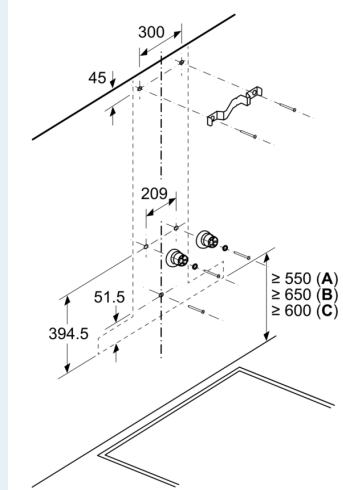
measurements in mm

Measurements in mm



- A: Exhaust air outlet
- B: Socket
- C: Electric
- D: Gas - from upper edge of pan support
- E: Electric - for Australia and New Zealand

Measurements in mm



- A: Electric
- B: Gas - from upper edge of pan support
- C: Electric - for Australia and New Zealand