

**iQ500, Canopy cooker hood, 52 cm, Black
LB56NAC60B**



The powerful canopy cooker hood is seamlessly concealed in the upper cupboard or a brick chimney.

- ✓ Illuminate your cooking space with LED lights for optimal visibility and ambience setting.
- ✓ The canopy hood seamlessly integrates within the upper cabinet and becomes almost invisible, thanks to its flush installation design.
- ✓ Rapid steam extraction on Intensive Setting. Swiftly neutralises sudden bursts of steam.

LZ10ITP00	Long Life odor filter (replacement)
LZ11ITD11	Long Life recirculation kit external
LZ11IXB16	Clean Air Plus odor filter (replacement)
LZ11IXC16	Clean Air Plus recirc. kit external
LZ55651	Standard odor filter (replacement)
LZ55750	Standard recirculation kit

Typology: Built-in/Built-under
 Length electrical supply cord: 150.0 cm
 Required niche size for installation (HxWxD): 345mm x 496.0mm x 264mm mm
 Height of the appliance: 345 mm
 Minimum distance above an electric hob: 500 mm
 Minimum distance above a gas hob: 650 mm
 Weight: 7.9 kg
 Control panel: Electronic
 Number of speed settings: 3-stages + intensive setting
 Maximum output air extraction: 570 m³/h
 Boost position output recirculating: 628 m³/h
 Maximum output recirculating air: 560 m³/h
 Boost position air extraction: 645 m³/h
 Maximum Air flow: 570 m³/h
 Number of lights: 2
 Noise level: 66 dB(A) re 1pW
 Diameter of air outlet: 120 / 150 mm
 Grease filter material: Washable aluminium
 EAN code: 4242003959862
 Connection Rating: 252 W
 Fuse protection: 3 A
 Nominal power: 220-240 V
 Frequency: 60; 50 Hz
 Plug type: GB plug
 Installation type: Built-in



iQ500, Canopy cooker hood, 52 cm, Black LB56NAC60B

Design:

- Canopy hood
- Installation: Cabinet
- Flush-fitted installation for a seamless integration in wall cupboards.
- Suitable for ducted and re-circulating operation
- For recirculated extraction various recirculation kits are available as optional accessories.

Core Features:

- 2 x 1W LED lights
- Colour Temperature: 4000 K
- Light Intensity: 400 lux
- Capacitor motor
- 1 metal grease filter(s).

Comfort Features:

- Soft touch button control with Electronic display
- 3 x power levels plus intensive setting
- Automatic reset from intensive to normal setting after 6 min

Cleaning Comfort:

- Steel filter cover dishwasher-safe
- Easy to clean smooth surfaces and materials.

Performance Exhaust:

- According to EN 61591 and EN/ IEC 60704-2-13 your appliance can achieve the following values in exhaust mode: Speed 1: extraction rate 295 m³/h; noise level 50 dB (A) re1pW Speed 2: extraction rate 445 m³/h; noise level 59 dB (A) re1pW Speed 3: extraction rate 570 m³/h; noise level 66 dB (A) re1pW Intensive 1: extraction rate 645 m³/h; noise level 68 dB (A) re1pW
- Energy Efficiency Class: B (at a range of energy efficiency classes from A+++ to D)
- Average Energy Consumption: 75.2 kWh/year*
- Blower Efficiency Class: C*
- Lighting Efficiency Class: A*
- Grease Filtering Efficiency Class: D*

Performance Recirculation:

- According to EN 61591 and EN/ IEC 60704-2-13 your appliance can achieve the following values in recirculation mode with standard recirculation kit (available as optional accessory): Speed 1: extraction rate 230 m³/h; noise level 62 dB (A) re1pW Speed 2: extraction rate 330 m³/h; noise level 69 dB (A) re1pW Speed 3: extraction rate 400 m³/h ; noise level 72 dB (A) re1pW Intensive Speed 1: extraction rate 410 m³/h; noise level 74 dB (A) re1pW
- According to EN 61591 and EN/ IEC 60704-2-13 your appliance can achieve the following values in recirculation mode with Clean Air plus recirculation kit, for chimless installation (available as optional accessory): Speed 1: extraction rate 280 m³/h ; noise level 56 dB (A) re1pW Speed 2: extraction rate 430 m³/h ; noise level 69 dB (A) re1pW Speed 3: extraction rate 560 m³/h ; noise level 69 dB (A) re1pW Intensive Speed 1: extraction rate 628 m³/h ; noise level 72 dB (A) re1pW

Technical Information and Sustainability:

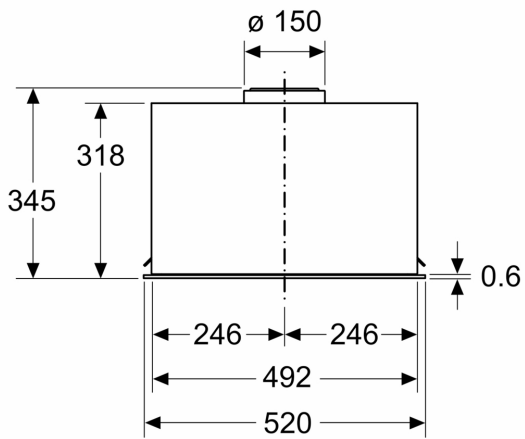
- Consumption data:
- Power rating: 252 W
- Voltage: Nominal voltage: 220 - 240 V
- Sustainability:
- Environmentally friendly packaging
- Available odour filter as regenerative Long Life filter with 10 years lifetime

Planning and Installation Information:

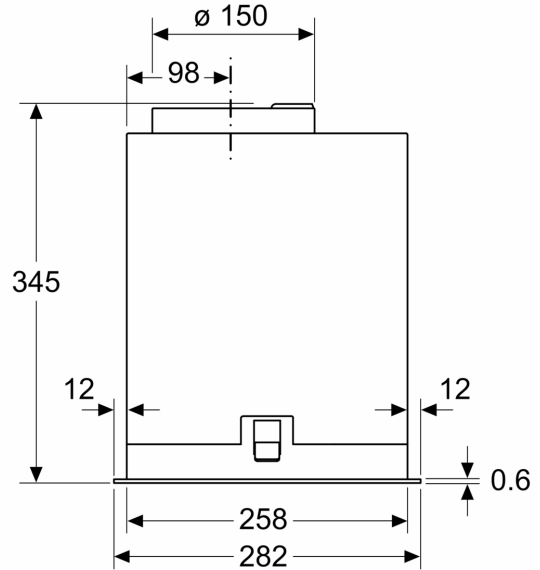
- Dimensions (HxWxD): 345 x 520 x 282 mm
- Dimensions recirculating (HxWxD): 345-345 x 520 x 282 mm
- Built-in dimensions (HxWxD): 345 x 496 x 264 mm
- Please reference the built-in dimensions provided in the installation drawings
- Electrical cable length 1.5 m
- Diameter pipe Ø 150 mm (Ø 120 mm enclosed)
- Back-pressure flap: Yes

iQ500, Canopy cooker hood, 52 cm, Black
LB56NAC60B

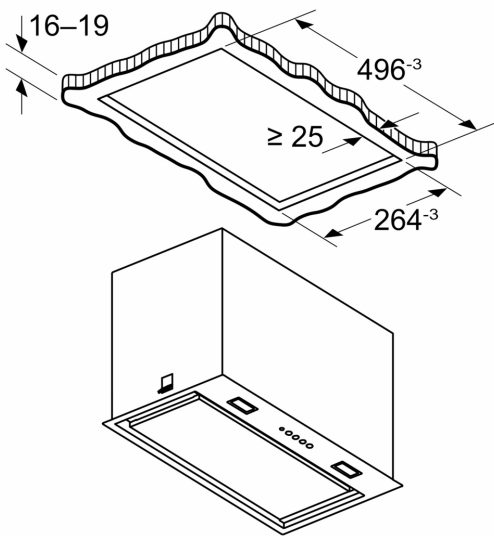
Measurements in mm



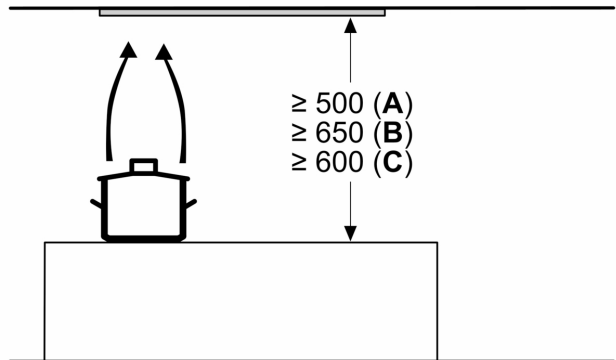
Measurements in mm



Measurements in mm



Measurements in mm



- A: Electric
- B: Gas - from upper edge of pan support
- C: Electric - for Australia and New Zealand