

**Series 6, Built-in wine cooler, 82 x 30 cm  
KUW20VHF0G**



**Your personal wine cellar: built under wine cabinet 30cm width with adjustable temperature between 5°C and 20°C.**

- **Adjustable temperature:** enjoy your wine at the perfect drinking temperature.
- **Capacity:** this wine cabinet has space to store up to 21 bottles at perfect drinking temperature.
- **LED light with presentation mode:** attractive illumination for your wine cabinet.
- **Reversible hinge:** move the door of your triple glazed wine cabinet to the side you prefer.

|  |                    |
|--|--------------------|
| Energy Efficiency Class: .....   | F                  |
| Average annual energy consumption in kilowatt hour per year (kWh/a): ..... | 100 kWh/annum      |
| Capacity of 75 cl bottles: .....   | 21                 |
| Airborne acoustical noise emissions : .....                                | 38 dB(A) re 1pW    |
| Airborne acoustical noise emission class: .....                            | C                  |
| Built-in / Free-standing: .....  | Built-in           |
| Door panel options: .....  | Not possible       |
| Height: .....  | 818 mm             |
| Width of the appliance: .....  | 298 mm             |
| Depth: .....   | 567 mm             |
| Min. required niche size for installation (HxWxD): ....                    | 820 x 300 x 550 mm |
| Net weight: .....  | 27.0 kg            |
| Connection rating: .....   | 70 W               |
| Fuse protection: .....   | 6 A                |
| Interior ventilator: .....   | Yes                |
| Voltage: .....   | 220-240 V          |
| Frequency: .....   | 50-60 Hz           |
| Length electrical supply cord: .....                                       | 230.0 cm           |
| Plug type: .....   | GB plug            |
| Number of compressors: .....   | 1                  |
| Number of independent cooling systems: .....                               | 1                  |
| Reversible Door Hinge: .....   | Yes                |
| Interior light switch: .....   | No                 |
| EAN code: .....  | 4242005265794      |
| Brand: .....   | Bosch              |
| Product name / Commercial code: .....                                      | KUW20VHF0G         |



## Series 6, Built-in wine cooler, 82 x 30 cm KUW20VHF0G

- EU19\_Fast freezer facility\_D
- Noise Level : 38 dB , EU19\_Noise emission class\_D: C

### Your personal wine cellar: built under wine cabinet 30cm width with adjustable temperature between 5°C and 20°C.

- 
- KUW20VHF0G
  - Wine storage cabinet, Built-under appliance

#### Performance and Consumption

##### Functions

- Built-in fridge
- Glass
- Triple glazed door, UV-filter

##### Design features

- Illumination fridge: LED with Soft Start
- Illumination on/off: Yes
- Presenter Lighting: Yes
- Optical and accoustical
- Child lock
- Interior ventilator

##### Design features

- Number of Temparture Zones: 1
- Temperature range: 5-20 °C
- 4 PC bottle shelves for 0,75 l
- No.wooden grills in fridge: 3 PC
- Design of shelves: Standard shelf

##### Key features - Fridge section

- Ventilation in plinth, the plinth size can be varied
- Door aperture angle 115°
- Lockable appliance: No
- Variable plinth adaption
- Right hinged door, door reversible

##### Dimension and installation

- Niche Dimensions: 82 cm H x 30 cm W x 55 cm D
- Dimensions: 81.8 cm H x 29.8 cm W x 56.7 cm D

##### Country Specific Options

- Based on the results of the standard 24-hour test. Actual consumption depends on usage/position of the appliance.
- This appliance is intendend to be used exclusively for the storage of wine

##### Key features - Freezer section

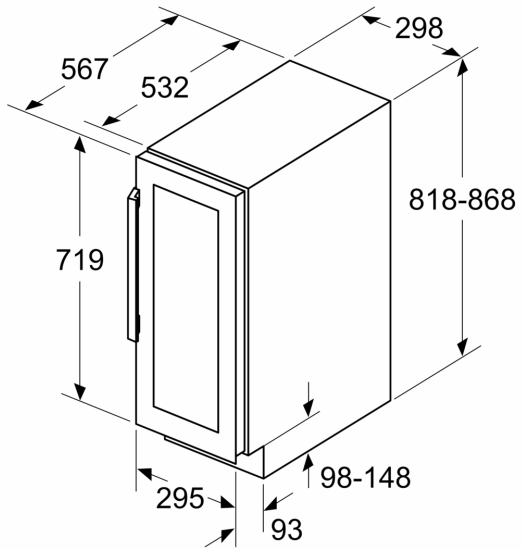
##### Additional features

##### Design features

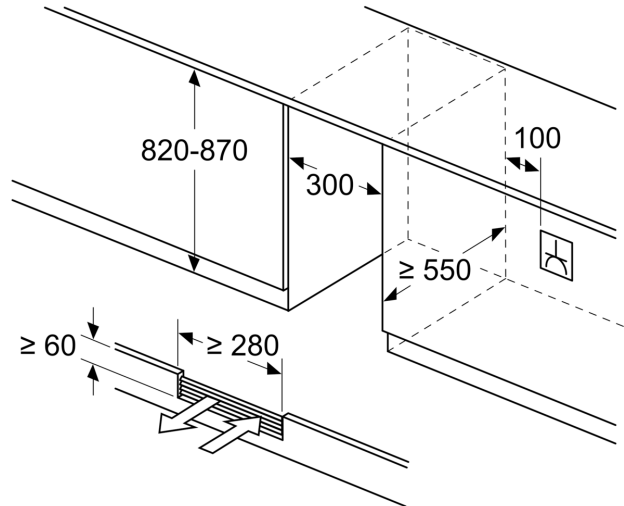
- EU19\_EEK\_D: F
- Total Volume : 58 l
- Net Fridge Volume : 58 l
- Net Freezer Volume : 0 l
- Annual Energy Consumption: 100 kWh/a
- Climate Class: SN-ST

**Series 6, Built-in wine cooler, 82 x  
30 cm  
KUW20VHF0G**

Measurements in mm



measurements in mm



measurements in mm

