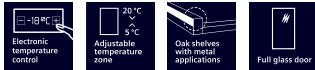


iQ500, Built-in wine cooler, 82 x 30 cm
KU20WVHF0G



Premium design built-under wine cabinet for perfect wine storage

- ✓ Electronic temperature control: set the target temperature clearly and easily.
- ✓ Oak shelves: exuding class, while taking caring of your wine.
- ✓ Enjoy your wine at the perfect temperature – with adjustable temperature.
- ✓ Oak shelves: a touch of elegance for your wine fridge.
- ✓ Elegant protection for valuable wines – glass door with UV protection.

Energy Efficiency Class: F
 Average annual energy consumption in kilowatt hour per year (kWh/a): 100 kWh/annum
 Capacity of 75 cl bottles: 21
 Airborne acoustical noise emissions : 38 dB(A) re 1pW
 Airborne acoustical noise emission class: C
 Built-in / Free-standing: Built-in
 Door panel options: Not possible
 Height: 818 mm
 Width of the appliance: 298 mm
 Dimensions: 567 mm
 Min. required niche size for installation (HxWxD): .. 820 x 300 x 550 mm
 Weight: 27.2 kg
 Connection Rating: 70 W
 Fuse protection: 6 A
 Interior ventilator: Yes
 Nominal power: 220-240 V
 Frequency: 50-60 Hz
 Length electrical supply cord: 230.0 cm
 Plug type: GB plug
 Number of compressors: 1
 Number of independent cooling systems: 1
 Reversible Door Hinge: Yes
 Interior light switch: No
 EAN code: 4242003893630
 Brand: Siemens
 Product name / Commercial code: KU20WVHF0G



iQ500, Built-in wine cooler, 82 x 30 cm KU20WVHF0G

- Wine storage cabinet, Built-under appliance

Functions

- glass
- Triple glazed door, UV-filter

Design features

- Illumination fridge: LED with Soft Start
- Illumination on/off: Yes
- Presenter Lighting: Yes
- Optical and acoustical door open warning system
- Child lock
- Interior ventilator

Design features

- Number of Temperature Zones: 1
- Temperature range: 5-20 °C
- 4 PC bottle shelves for 0,75 l
- No. wooden grills in fridge: 3 PC
- Design of shelves: Standard shelf

Key features - Fridge section

- Ventilation in plinth, the plinth size can be varied
- Door aperture angle 115°
- Lockable appliance: No
- Variable plinth adaption
- Right hinged door, door reversible

Dimension and installation

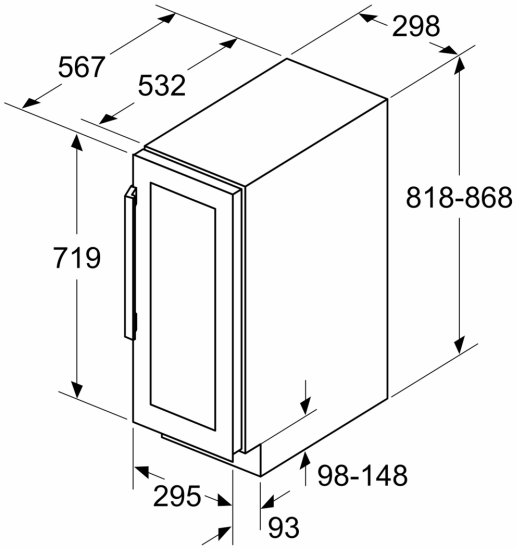
- Niche Dimensions: 82 cm H x 30 cm W x 55 cm D
- Dimensions: 81.8 cm H x 29.8 cm W x 56.7 cm D
- Based on the results of the standard 24-hour test. Actual consumption depends on usage/position of the appliance.
- This appliance is intended to be used exclusively for the storage of wine

Performance and Consumption

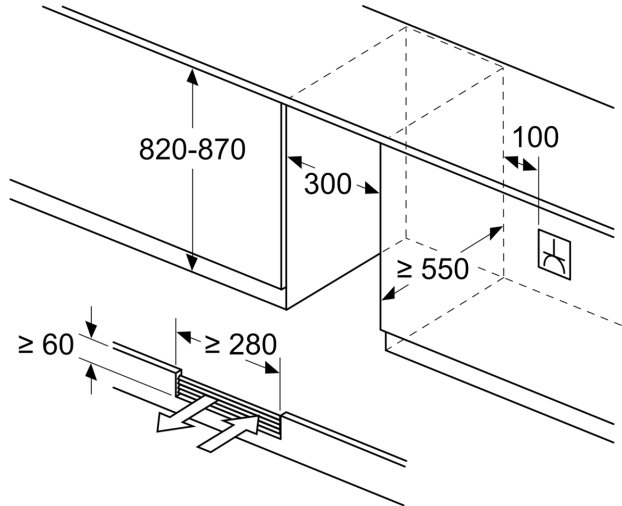
- EU19_EEK_D: F
- Total Volume : 58 l
- Net Fridge Volume : 58 l
- Net Freezer Volume : 0 l
- Annual Energy Consumption: 100 kWh/a
- Climate Class: SN-ST
- EU19_Fast freezer facility_D
- Noise Level : 38 dB , EU19_Noise emission class_D: C

iQ500, Built-in wine cooler, 82 x 30 cm
KU20WVHF0G

Measurements in mm



measurements in mm



measurements in mm

