

Series 4, Built-in fridge, 122.5 x 56 cm, flat hinge KIR41VFE0G



3 x egg tray

- KFZ40AX0 Door panel with decor frame
- KFZ40SX0 Stainless steel door panel
- KSZB6R00 Bottle Rack
- KSZGGM00 Butter box

The spacious built-in fridge with Multi Box XXL drawer for fruit and vegetables and high stability door trays provides optimal food storage.

- **Eco Airflow:** maintains optimal air circulation and a constant temperature level throughout the cooling area.
- **LED lighting:** all your items in perfect view.
- **High-stability door trays:** more height means more flexible space and stability.

Energy Efficiency Class:	E
Average annual energy consumption in kilowatt hour per year (kWh/a):	101 kWh/annum
Sum of volume of frozen compartments:	0 l
Sum of volume of chill compartments:	204 l
Airborne acoustical noise emissions :	35 dB(A) re 1pW
Airborne acoustical noise emission class:	B
Built-in / Free-standing:	Built-in
Door panel options:	Possible but accessory
Height:	1221 mm
Width of the appliance:	541 mm
Depth:	548 mm
Min. required niche size for installation (HxWxD):	1225.0 x 560 x 550 mm
Net weight:	39.3 kg
Door hinge:	Other
Voltage:	220-240 V
Frequency:	50 Hz
Length electrical supply cord:	230.0 cm
Number of compressors:	1
Number of independent cooling systems:	1
Interior ventilator:	No
Reversible Door Hinge:	No
Number of Adjustable Shelves in fridge compartment:	4
Shelves for Bottles:	Yes
EAN code:	4242005340866
Brand:	Bosch
Product name / Commercial code:	KIR41VFE0G
Product category:	Refrigerator
Frost free system:	No
Installation typology:	Integrated
Included accessories:	3 x egg tray



Series 4, Built-in fridge, 122.5 x 56 cm, flat hinge KIR41VFE0G

The spacious built-in fridge with Multi Box XXL drawer for fruit and vegetables and high stability door trays provides optimal food storage.

-
- Fixed hinge, softClosing door: No
 - Easy Installation

Performance and Consumption

- EU19_EEK_D: E
- Total Volume : 204 l
- Net Fridge Volume : 204 l
- Net Freezer Volume : 0 l
- Annual Energy Consumption: 101 kWh/a
- Climate Class: SN-ST
- EU19_Fast freezer facility_D
- Noise Level : 35 dB , EU19_Noise emission class_D: B

Functions

- Bright interior LED fridge light

Design features

- Automatic defrost fridge
- Super Cooling: automatic deactivation

Design features

- 5 safety glass shelves (4 height adjustable)
- 4 door trays, including 1x dairy compartment

Freshness System

- 1 MultiBox - Transparent drawer with a rippled bottom, ideal for storing fruits and vegetables.

Dimension and installation

- Dimensions: 122.1 cm H x 54.1 cm W x 54.8 cm D
- Niche Dimensions: 122.5 cm H x 56 cm W x 55 cm D

Key features - Fridge section

- 220 - 240 V

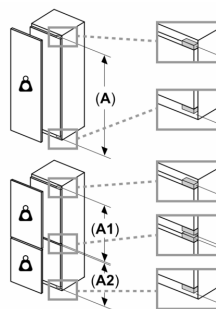
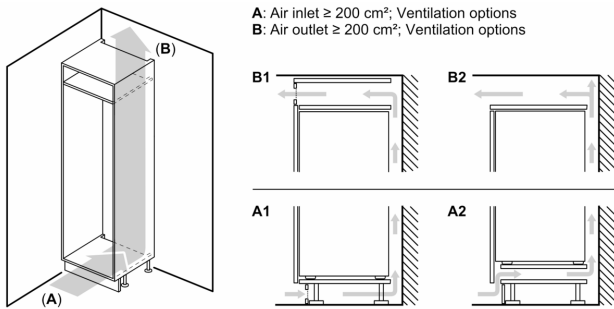
Key features - Freezer section

- 3 x egg tray
- bottle holder in door tray

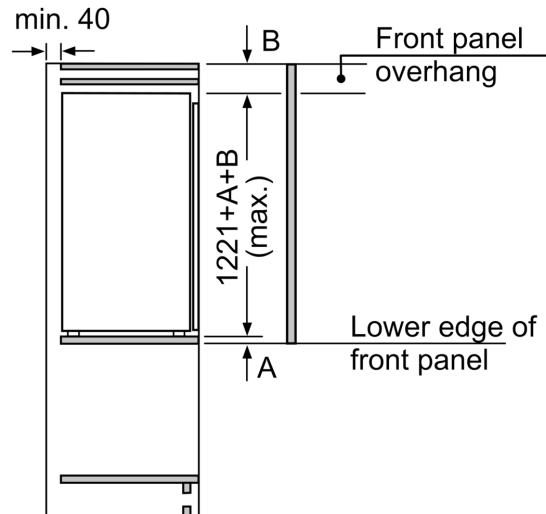
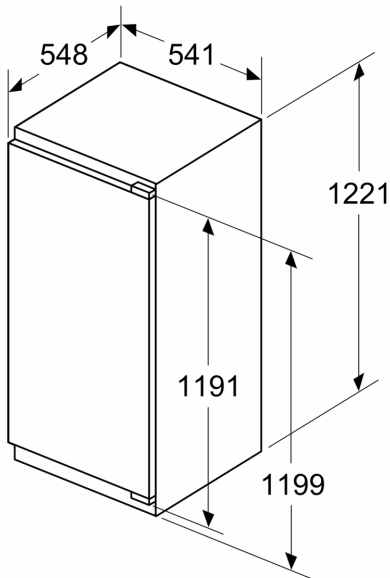
Country Specific Options

- Based on the results of the standard 24-hour test. Actual consumption depends on usage/position of the appliance.

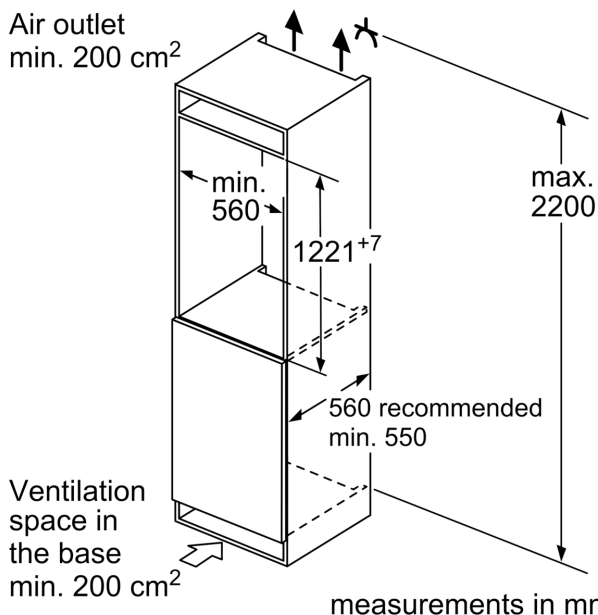
**Series 4, Built-in fridge, 122.5 x 56 cm, flat hinge
KIR41VFE0G**



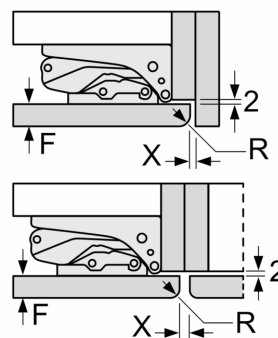
Measurements in mm



measurements in mm



**measurements in mm
Recommended gap dimensions for flat hinges**



F	R	X
16-19	0-3	2.5
20	0-1	3
	2-3	2.5
21	0-1	3
	2-3	2.5
22	0	4
	1	3.5
	2-3	3

The gap dimensions recommended in the table must be adhered to in order to ensure that appliance doors do not collide with anything when they are opened, and to avoid causing damage to kitchen units.