

iQ100, Built-in fridge-freezer with freezer at bottom, 177.2 x 54.1 cm, sliding hinge KI87VNSE0G



GS6BZR00	Box-in-Freezer-Box
KS6BZR00	Bottle Rack
KSGGZM00	Butter box

Built-in refrigerator-freezer with lowFrost for less defrosting effort.

- ✓ Fresh – Convenient storage for your fruit and vegetables.
- ✓ autoAirflow – Ideal air circulation for even cooling at all levels, maintaining longer freshness.
- ✓ LED light – Even lighting throughout the inside of your fridge to keep everything in view.
- ✓ safetyGlass shelves – Extra strong and easy to clean.

Technical Specifications

Energy Efficiency Class:	E
Average annual energy consumption in kilowatt hour per year (kWh/a):	216 kWh/annum
Sum of volume of frozen compartments:	70 l
Sum of volume of chill compartments:	200 l
Airborne acoustical noise emissions :	35 dB(A) re 1pW
Airborne acoustical noise emission class:	B
Built-in / Free-standing:	Built-in
Door panel options:	Not possible
Height:	1772 mm
Width of the appliance:	541 mm
Dimensions:	548 mm
Min. required niche size for installation (HxWxD):	1775.0 x 560 x 550 mm
Weight:	50.8 kg
Fuse protection:	10 A
Door opening:	Right reversible
Nominal power:	220-240 V
Frequency:	50 Hz
Length electrical supply cord:	230.0 cm
Number of compressors:	1
Number of independent cooling systems:	1
Interior ventilator:	No
Reversible Door Hinge:	Yes
Number of Adjustable Shelves in fridge compartment:	4
Shelves for Bottles:	No
Frost free system:	No
Installation type:	not available



iQ100, Built-in fridge-freezer with freezer at bottom, 177.2 x 54.1 cm, sliding hinge KI87VNSE0G

- Built-in fridge-freezer combination
- easy Installation

Performance and Consumption

- EU19_EEK_D: E
- Total Volume : 270 l
- Annual Energy Consumption: 216 kWh/a
- EU19_Fast freezer facility_D
- Noise Level : 35 dB , EU19_Noise emission class_D: B

Functions

- Bright interior LED fridge light in fridge section

Design features

- Electronic control (LED chain)
- Super Cooling: automatic deactivation
- Acoustic open door warning system

Design features

- Net Fridge Volume : 200 l
- 5 safety glass shelves of which 4 are height adjustable
- Door shelves in fridge door: 1 large and 3 small.

Freshness System

- 1 vegetable/salad container

Food freshness system

- Net Freezer Volume : 70 l
- lowFrost - less ice creation and therefore quicker defrosting
- Freezing capacity 24h : 3.2 kg
- Temperature rise time : EU19_Temperature rise time_D: 12 H
- SuperFreeze with Manual/automatic activation
- 2 freezer drawers

Dimension and installation

- Dimensions: 177.2 cm H x 54.1 cm W x 54.8 cm D
- Niche Dimensions: 177.5 cm H x 56 cm W x 55 cm D

Key features - Fridge section

- Right hinged door, door reversible
- 220 - 240 V
- Length of power cord: 230 cm
- Climate Class: SN-ST

Country Specific Options

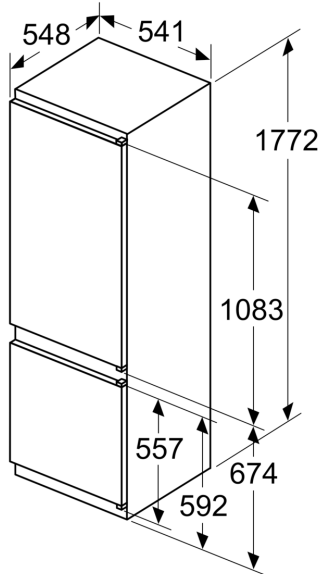
- Based on the results of the standard 24-hour test. Actual consumption depends on usage/position of the appliance.

Key features - Freezer section

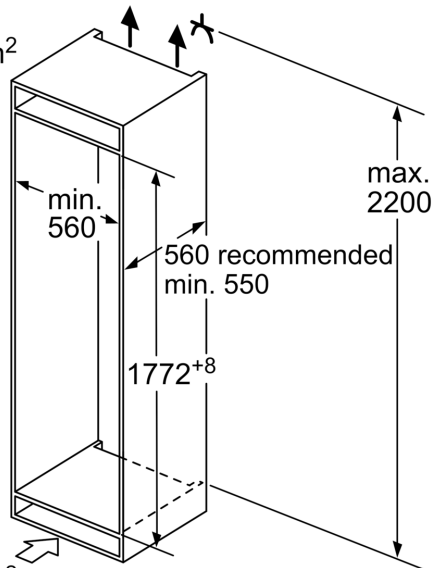
- 3 x egg tray, 2 x ice cube tray

iQ100, Built-in fridge-freezer with freezer at bottom, 177.2 x 54.1 cm, sliding hinge KI87VNSE0G

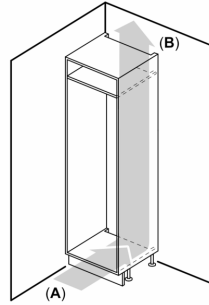
measurements in mm



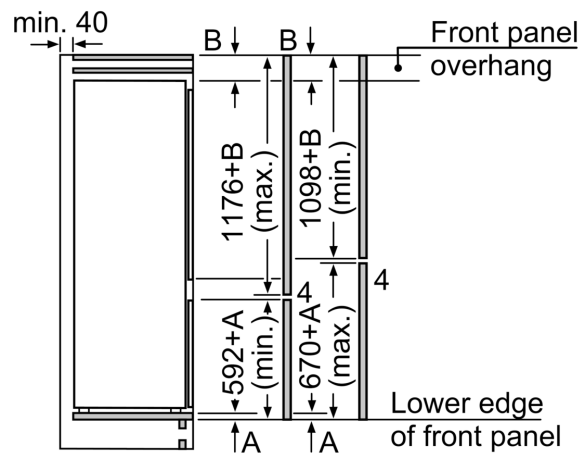
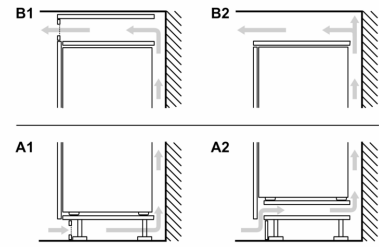
Air outlet
min. 200 cm²



measurements in mm



A: Air inlet ≥ 200 cm²; Ventilation options
B: Air outlet ≥ 200 cm²; Ventilation options



The specified unit door dimensions are valid for a door gap of 4 mm.

measurements in mm