

iQ300, Built-in fridge-freezer with freezer at bottom, 177.2 x 54.1 cm, sliding hinge KI86NVSE0G



KSGGZM00 Butter box

Built-in fridge-freezer with hyperFresh system to keep food fresh for longer and thanks to noFrost no more ice to build up in the freezer.

- ✓ noFrost – Never defrost your freezer again.
- ✓ autoAirflow – Ideal air circulation for even cooling at all levels, maintaining longer freshness.
- ✓ LED light – Even lighting throughout the inside of your fridge to keep everything in view.
- ✓ superFreezing: fast freezing for even large quantities of food.
- ✓ bottleRack – Store your bottles safely and within easy reach.

Energy Efficiency Class: E

Energy Efficiency Class:	E
Average annual energy consumption in kilowatt hour per year (kWh/a):	234 kWh/annum
Sum of volume of frozen compartments:	76 l
Sum of volume of chill compartments:	184 l
Airborne acoustical noise emissions :	35 dB(A) re 1pW
Airborne acoustical noise emission class:	B
Built-in / Free-standing:	Built-in
Door panel options:	Not possible
Height:	1772 mm
Width of the appliance:	541 mm
Dimensions:	548 mm
Min. required niche size for installation (HxWxD):	1775.0 x 560 x 550 mm
Weight:	52.2 kg
Fuse protection:	10 A
Door opening:	Right reversible
Nominal power:	220-240 V
Frequency:	50 Hz
Length electrical supply cord:	230.0 cm
Number of compressors:	1
Number of independent cooling systems:	1
Interior ventilator:	No
Reversible Door Hinge:	Yes
Number of Adjustable Shelves in fridge compartment:	3
Shelves for Bottles:	Yes
Frost free system:	Freezer
Installation type:	Fully integrated

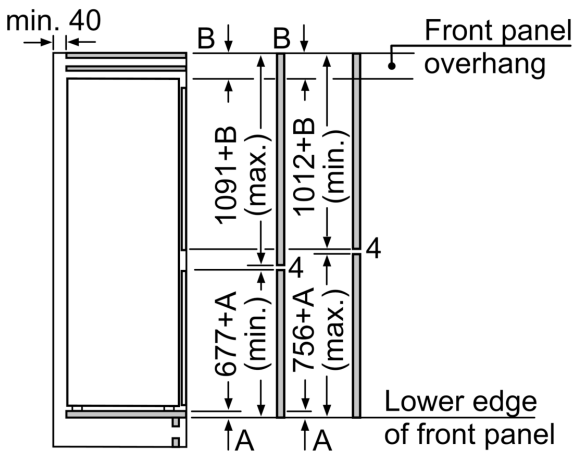
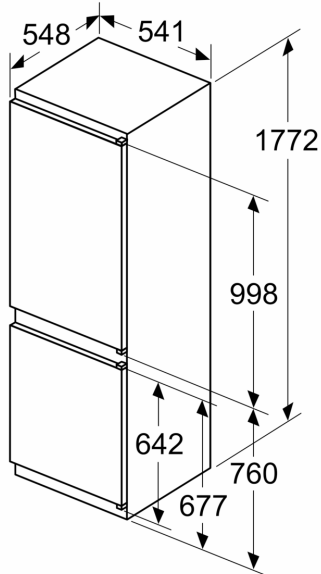


iQ300, Built-in fridge-freezer with freezer at bottom, 177.2 x 54.1 cm, sliding hinge KI86NVSE0G

<ul style="list-style-type: none"> • KI86NVSE0G <p>Design features</p> <ul style="list-style-type: none"> • easy Installation <p>Performance and Consumption</p> <ul style="list-style-type: none"> • EU19_EEK_D: E • Total Volume : 260 l • Net Fridge Volume : 184 l • Net Freezer Volume : 76 l • Freezing capacity 24h : 4 kg • Annual Energy Consumption: 234 kWh/a • Climate Class: SN-ST • Noise Level : 35 dB , EU19_Noise emission class_D: B • Temperature rise time : EU19_Temperature rise time_D: 10 H <p>Functions</p> <ul style="list-style-type: none"> • Bright interior LED fridge light in fridge section <p>Design features</p> <ul style="list-style-type: none"> • Electronic control (LED chain) • Super Cooling: automatic deactivation • SuperFreeze with Manual/automatic activation • Optical and acoustical door open warning system <p>Design features</p> <ul style="list-style-type: none"> • 4 safety glass shelves in fridge compartment of which 3 are height adjustable • 3 door trays, including 0x dairy compartment • 1 removable door storage compartments. • 3 door bins <p>Freshness System</p> <ul style="list-style-type: none"> • 1 hyperFresh box with integrated humidity control <p>Food freshness system</p> <ul style="list-style-type: none"> • NO_FROST_NEU_BL, never have to defrost ever again • 3 freezer drawers <p>Dimension and installation</p> <ul style="list-style-type: none"> • Dimensions: 177.2 cm H x 54.1 cm W x 54.8 cm D • Niche Dimensions: 177.5 cm H x 56 cm W x 55 cm D <p>Key features - Fridge section</p> <ul style="list-style-type: none"> • Right hinged door, door reversible • 220 - 240 V <p>Key features - Freezer section</p> <ul style="list-style-type: none"> • 3 x egg tray, 2 x ice cube tray <p>Country Specific Options</p> <ul style="list-style-type: none"> • Based on the results of the standard 24-hour test. Actual consumption depends on usage/position of the appliance. <p>Additional features</p>	<ul style="list-style-type: none"> • Net 4* compartment volume : 76 l
---	--

**iQ300, Built-in fridge-freezer with
freezer at bottom, 177.2 x 54.1
cm, sliding hinge
KI86NVSE0G**

measurements in mm



The specified unit door dimensions are valid for a door gap of 4 mm.
measurements in mm

