

N 70, BUILT-IN FRIDGE-FREEZER WITH FREEZER AT BOTTOM, 177.2 X 55.8 CM, SOFT CLOSE FLAT HINGE  
K17863DD0G



This No Frost built-in fridge-freezer with Fresh Safe keeps food fresh, ensures ideal air circulation in the fridge. Additional illumination of the freezer area keeps your frozen delicacies in a perfect view.

- ✓ No Frost – No more defrosting your freezer.
- ✓ Bottle Flex Shelf – A bottle holder and shelf in one.
- ✓ Eco Air Flow – Even air circulation for constant temperatures and fast cooling.
- ✓ Soft Close – Enjoy the silence. The door softly closes itself when at an angle of 20 degrees.
- ✓ Adjustable Glass Shelves – Height adjustable shelves create the space you need for inspiring dishes in your fridge

Energy Efficiency Class: ..... D  
 Average annual energy consumption in kilowatt hour per year (kWh/a): ..... 186 kWh/a  
 Sum of volume of frozen compartments: ..... 76 l  
 Sum of volume of chill compartments: ..... 184 l  
 Airborne acoustical noise emissions : ..... 35 dB(A) re 1pW  
 Airborne acoustical noise emission class: ..... B  
 Built-in / Free-standing: ..... Built-in  
 Door panel options: ..... Possible but accessory  
 Height: ..... 1772 mm  
 Width of the appliance: ..... 558 mm  
 Depth: ..... 548 mm  
 Min. required niche size for installation (HxWxD): .. 1775.0 x 560 x 550 mm  
 Net weight: ..... 57.8 kg  
 Fuse protection: ..... 10 A  
 Door hinge: ..... Right reversible  
 Voltage: ..... 220-240 V  
 Frequency: ..... 50 Hz  
 Length electrical supply cord: ..... 230.0 cm  
 Number of compressors: ..... 1  
 Number of independent cooling systems: ..... 2  
 Interior ventilator: ..... No  
 Reversible Door Hinge: ..... Yes  
 Number of Adjustable Shelves in fridge compartment: ..... 1  
 Shelves for Bottles: ..... No  
 Frost free system: ..... Freezer  
 Installation typology: ..... Full-integrated

KS9E0FZ0 Package Neff FlexCooling  
 KSGG0MZ0 Butter box



N 70, BUILT-IN FRIDGE-FREEZER WITH FREEZER  
AT BOTTOM, 177.2 X 55.8 CM, SOFT CLOSE FLAT  
HINGE  
K17863DDOG

- easy Installation

#### Performance and Consumption

- EU19\_EEK\_D: D
- Total Volume : 260 l
- Net Fridge Volume : 184 l
- Net Freezer Volume : 76 l
- Freezing capacity 24h : 8 kg
- Annual Energy Consumption: 186 kWh/a
- Climate Class: SN-ST
- EU19\_Fast freezer facility\_D
- Noise Level : 35 dB , EU19\_Noise emission class\_D: B
- Temperature rise time : EU19\_Temperature rise time\_D: 11 H

#### Functions

- Bright interior LED fridge light in fridge section

#### Design features

- NO\_FROST\_NEU\_BL, never have to defrost ever again
- Two separate cooling circuits allow independent temperature control and prevents the transference of humidity between the fridge and freezer cavity
- Twin LED electronic control panel
- Super Cooling: automatic deactivation

#### Design features

- 3 safety glass shelves in fridge compartment of which 1 are height adjustable
- 1 removable door storage compartments.
- 3 door bins
- BottleFlex Shelf
- Flex Cooling

#### Freshness System

- 1 FreshSafe drawer with humidity control retains freshness for longer.

#### Food freshness system

- 3 freezer drawers
- SuperFreeze function with automatic deactivation
- optical and acoustical

#### Dimension and installation

- Dimensions: 177.2 cm H x 55.8 cm W x 54.8 cm D
- Niche Dimensions: 177.5 cm H x 56 cm W x 55 cm D

#### Key features - Fridge section

- Length of power cord:230 cm
- 220 - 240 V

#### Key features - Freezer section

- 2 x egg tray, 1 x ice cube tray

#### Country Specific Options

- Based on the results of the standard 24-hour test. Actual

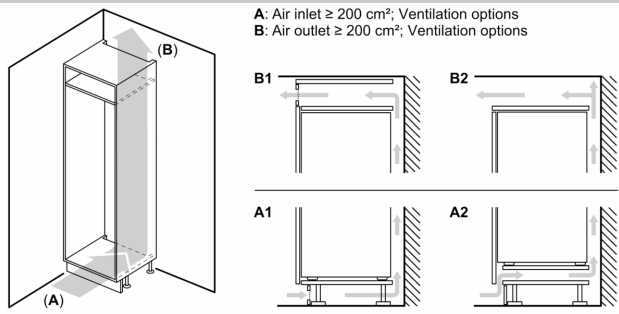
consumption depends on usage/position of the appliance.

#### Design features

#### Dimension and installation

#### Additional features

N 70, BUILT-IN FRIDGE-FREEZER WITH FREEZER AT BOTTOM, 177.2 X 55.8 CM, SOFT CLOSE FLAT HINGE  
K17863DD0G



**Maximal permissible weight of the unit fronts**

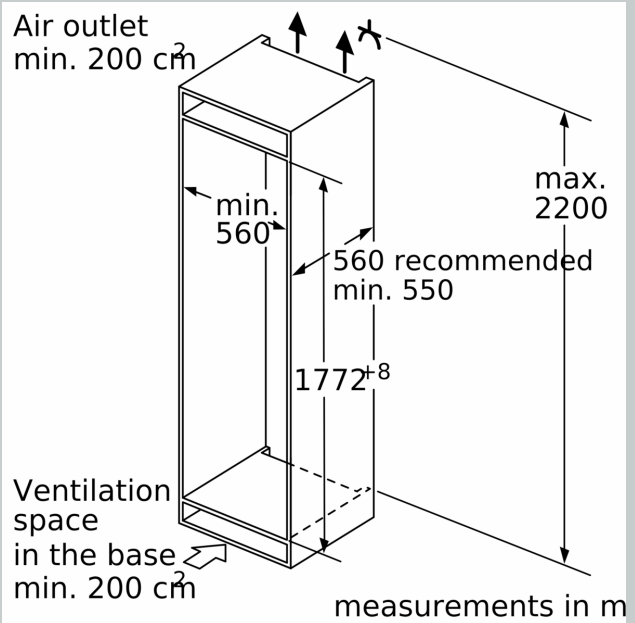
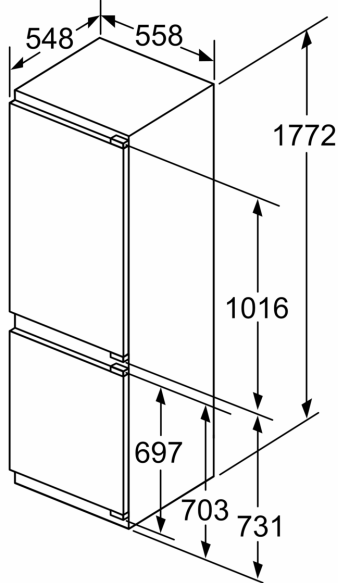
Fitted unit fronts that exceed the permissible weight may cause damage and result in functional impairment of the hinges

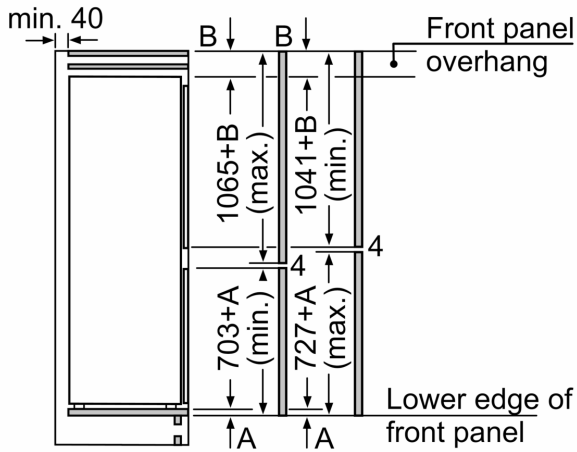
$\Delta$  Weight  
A: Appliance door height including hinges in mm

B: Undamped hinge, unit front in kg  
C: Damped hinge, unit front in kg  
D: Additional possible load in kg with heavy load kit

A	B	C	D
1500-1750	22	22	B+5 / C+5
720-1400	19	19	
A1	15	19	
A2	15	19	

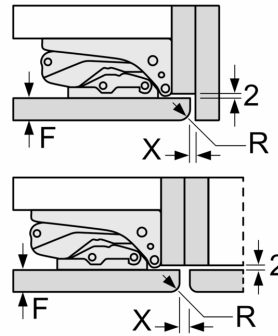
Measurements in mm





The specified unit door dimensions are valid for a door gap of 4 mm.  
 measurements in mm

measurements in mm  
 Recommended gap dimensions for flat hinges



F	R	X
16-19	0-3	2.5
20	0-1	3
	2-3	2.5
21	0-1	3
	2-3	2.5
22	0	4
	1	3.5
	2-3	3

The gap dimensions recommended in the table must be adhered to in order to ensure that appliance doors do not collide with anything when they are opened, and to avoid causing damage to kitchen units.