

N 30, BUILT-IN FRIDGE-FREEZER WITH FREEZER  
AT BOTTOM, 177.2 X 54.1 CM, SLIDING HINGE  
KI7861SE0G



This No Frost built-in fridge-freezer with Eco Air Flow ensures ideal air circulation in the entire fridge.

- ✓ Fresh Safe – Fridge drawer for dedicated fresh fruit and veg storage.
- ✓ Our safety glass shelves happily shoulder generous loads of delicacies in your fridge

Energy Efficiency Class: .....E  
 Average annual energy consumption in kilowatt hour per year (kWh/a): ..... 234 kWh/a  
 Sum of volume of frozen compartments: ..... 76 l  
 Sum of volume of chill compartments: ..... 184 l  
 Airborne acoustical noise emissions : ..... 35 dB(A) re 1pW  
 Airborne acoustical noise emission class: ..... B  
 Built-in / Free-standing: ..... Built-in  
 Door panel options: ..... Not possible  
 Height: ..... 1772 mm  
 Width of the appliance: ..... 541 mm  
 Depth: ..... 548 mm  
 Min. required niche size for installation (HxWxD): .. 1775.0 x 560 x 550 mm  
 Net weight: ..... 50.7 kg  
 Fuse protection: ..... 10 A  
 Door hinge: ..... Right reversible  
 Voltage: ..... 220-240 V  
 Frequency: ..... 50 Hz  
 Length electrical supply cord: ..... 230.0 cm  
 Number of compressors: ..... 1  
 Number of independent cooling systems: ..... 1  
 Interior ventilator: ..... No  
 Reversible Door Hinge: ..... Yes  
 Number of Adjustable Shelves in fridge compartment: ..... 3  
 Shelves for Bottles: ..... No  
 Frost free system: ..... Freezer  
 Installation typology: ..... N/A

KS6B0RZ0 Bottle Rack  
 KS9E0FZ0 Package Neff FlexCooling  
 KSGG0MZ0 Butter box



*N 30, BUILT-IN FRIDGE-FREEZER WITH FREEZER  
AT BOTTOM, 177.2 X 54.1 CM, SLIDING HINGE  
KI7861SE0G*

- Built-in fridge-freezer combination
- easy Installation

#### Performance and Consumption

- EU19\_EEK\_D: E
- Total Volume : 260 l
- Annual Energy Consumption: 234 kWh/a
- EU19\_Fast freezer facility\_D
- Noise Level : 35 dB , EU19\_Noise emission class\_D: B

#### Functions

- Bright interior LED fridge light in fridge section

#### Design features

- Electronic control (LED chain)
- Super Cooling: automatic deactivation
- SuperFreeze function with automatic deactivation
- optical and acoustical

#### Design features

- Net Fridge Volume : 184 l
- 4 safety glass shelves of which 3 are height adjustable
- 3 door bins

#### Freshness System

- 1 FreshSafe drawer- The ideal place to store your fruit and vegetables safely.

#### Food freshness system

- NO\_FROST\_NEU\_BL, never have to defrost ever again
- Net Freezer Volume : 76 l
- Freezing capacity 24h : 4 kg
- Temperature rise time : EU19\_Temperature rise time\_D: 10 H
- 3 freezer drawers

#### Dimension and installation

- Dimensions: 177.2 cm H x 54.1 cm W x 54.8 cm D
- Niche Dimensions: 177.5 cm H x 56 cm W x 55 cm D

#### Key features - Fridge section

- Right hinged door, reversible
- 220 - 240 V
- Climate Class: SN-ST
- Length of power cord:230 cm

#### Key features - Freezer section

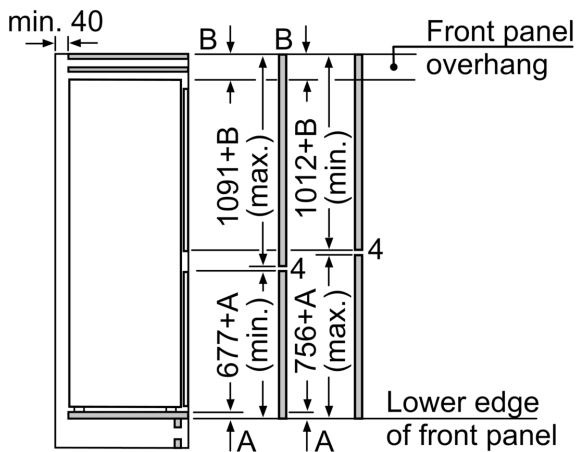
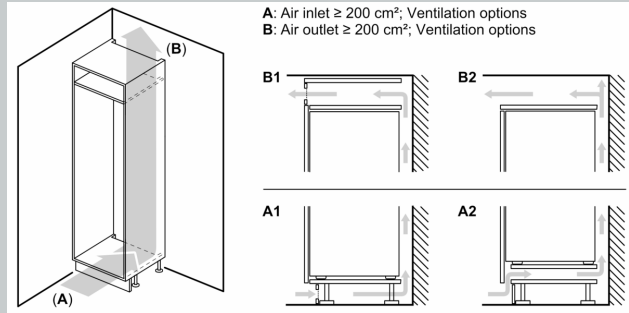
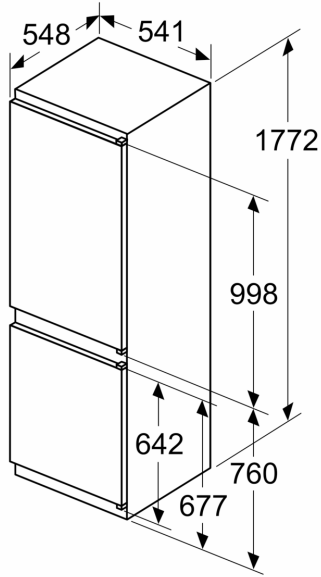
- 2 x egg tray, 1 x ice cube tray

#### Country Specific Options

- Based on the results of the standard 24-hour test. Actual consumption depends on usage/position of the appliance.

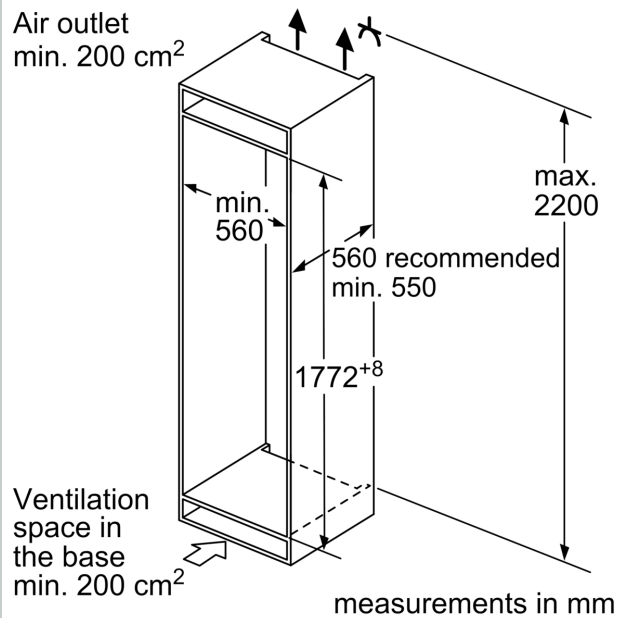
N 30, BUILT-IN FRIDGE-FREEZER WITH FREEZER  
AT BOTTOM, 177.2 X 54.1 CM, SLIDING HINGE  
K17861SE0G

measurements in mm



The specified unit door dimensions  
are valid for a door gap of 4 mm.

measurements in mm



measurements in mm