

N 30, BUILT-IN FRIDGE-FREEZER WITH FREEZER AT BOTTOM, 177.2 X 54.1 CM, FLAT HINGE K17851FF0G



- KS6B0RZ0 Bottle Rack
- KS9E0FZ0 Package Neff FlexCooling
- KSGG0MZ0 Butter box

This No Frost built-in fridge-freezer with Eco Air Flow ensures ideal air circulation in the entire fridge.

- ✓ Eco Air Flow – Even air circulation for constant temperatures and fast cooling.
- ✓ No Frost – No more defrosting your freezer.
- ✓ Adjustable Glass Shelves – Height adjustable shelves create the space you need for inspiring dishes in your fridge
- ✓ LED Light – Pleasant illumination for the entire fridge, with long-life LEDs.
- ✓ Our safety glass shelves happily shoulder generous loads of delicacies in your fridge

Energy Efficiency Class:F
 Average annual energy consumption in kilowatt hour per year (kWh/a): 298 kWh/a
 Sum of volume of frozen compartments: 99 l
 Sum of volume of chill compartments: 150 l
 Airborne acoustical noise emissions : 39 dB(A) re 1pW
 Airborne acoustical noise emission class: C
 Built-in / Free-standing: Built-in
 Door panel options: Possible but accessory
 Height: 1772 mm
 Width of the appliance: 541 mm
 Depth: 548 mm
 Min. required niche size for installation (HxWxD): .. 1775.0 x 560 x 550 mm
 Net weight: 52.9 kg
 Fuse protection: 10 A
 Door hinge:Right reversible
 Voltage: 220-240 V
 Frequency: 50 Hz
 Length electrical supply cord: 230.0 cm
 Number of compressors: 1
 Number of independent cooling systems: 1
 Interior ventilator: No
 Reversible Door Hinge: Yes
 Number of Adjustable Shelves in fridge compartment: 2
 Shelves for Bottles: No
 Frost free system: Freezer
 Installation typology: Full-integrated



N 30, BUILT-IN FRIDGE-FREEZER WITH FREEZER
AT BOTTOM, 177.2 X 54.1 CM, FLAT HINGE
KI7851FFOG

- EU19_Fast freezer facility_D
- KI7851FFOG
- Built-in fridge-freezer combination
- easy Installation

Functions

- Bright interior LED fridge light in fridge section

Design features

- Electronic control (LED chain)
- Super Cooling: No
- SuperFreeze function with automatic deactivation
- optical and acoustical

Design features

- 3 safety glass shelves in fridge compartment of which 2 are height adjustable
- 2 door trays, including 0x dairy compartment
- 1 removable door storage compartments.

Freshness System

- 1 FreshSafe drawer- The ideal place to store your fruit and vegetables safely.

Food freshness system

Dimension and installation

- Dimensions: 177.2 cm H x 54.1 cm W x 54.8 cm D
- Niche Dimensions: 177.5 cm H x 56 cm W x 55 cm D

Key features - Fridge section

- Right hinged door, reversible
- 220 - 240 V

Key features - Freezer section

- 2 x egg tray, 1 x ice cube tray

Country Specific Options

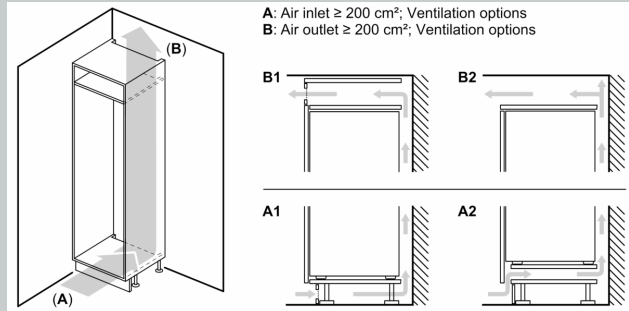
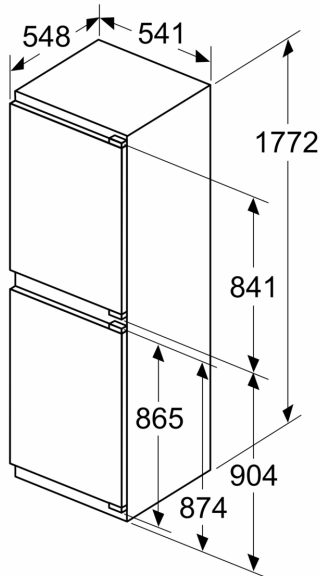
- Based on the results of the standard 24-hour test. Actual consumption depends on usage/position of the appliance.
- 4 freezer drawers

Performance and Consumption

- EU19_EEK_D: F
- Total Volume : 249 l
- Net Fridge Volume : 150 l
- Net Freezer Volume : 99 l
- Freezing capacity 24h : 5.5 kg
- NO_FROST_NEU_BL, never have to defrost ever again
- Annual Energy Consumption: 298 kWh/a
- Climate Class: SN-ST
- Noise Level : 39 dB , EU19_Noise emission class_D: C
- Temperature rise time : EU19_Temperature rise time_D: 10 H

N 30, BUILT-IN FRIDGE-FREEZER WITH FREEZER AT BOTTOM, 177.2 X 54.1 CM, FLAT HINGE
KI7851FF0G

measurements in mm

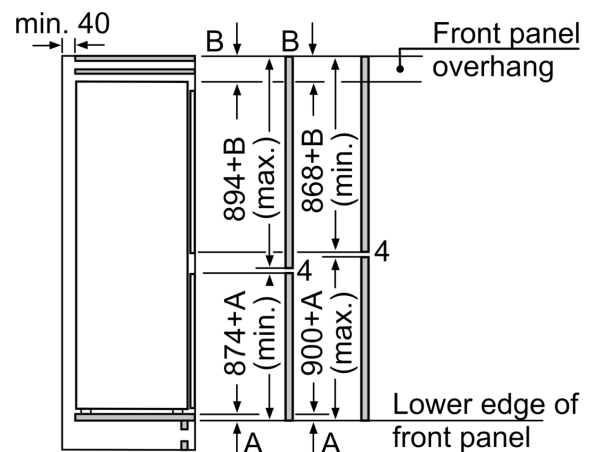


Maximal permissible weight of the unit fronts

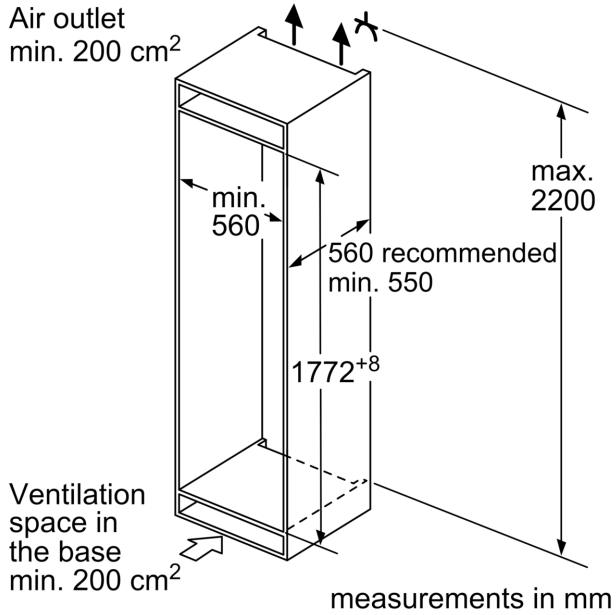
Fitted unit fronts that exceed the permissible weight may cause damage and result in functional impairment of the hinges

Δ Weight
A: Appliance door height including hinges in mm
B: Undamped hinge, unit front in kg
C: Damped hinge, unit front in kg
D: Additional possible load in kg with heavy load kit

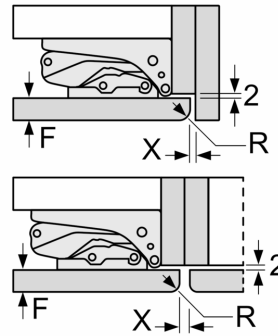
A	B	C	D
1500-1750	22	22	
720-1400	19	19	B+5 / C+5
A1	15	19	
A2	15	19	



The specified unit door dimensions are valid for a door gap of 4 mm.
measurements in mm



measurements in mm
Recommended gap dimensions for flat hinges



F	R	X
16-19	0-3	2.5
20	0-1	3
	2-3	2.5
21	0-1	3
	2-3	2.5
22	0	4
	1	3.5
	2-3	3

The gap dimensions recommended in the table must be adhered to in order to ensure that appliance doors do not collide with anything when they are opened, and to avoid causing damage to kitchen units.