

N 30, BUILT-IN FRIDGE-FREEZER WITH FREEZER  
AT BOTTOM, 177.2 X 54.1 CM, FLAT HINGE  
KI7851FEOG



This No Frost built-in fridge-freezer with Eco Air Flow ensures ideal air circulation in the entire fridge.

- ✓ Fresh Safe – Fridge drawer for dedicated fresh fruit and veg storage.
- ✓ Adjustable Glass Shelves – Height adjustable shelves create the space you need for inspiring dishes in your fridge
- ✓ Our safety glass shelves happily shoulder generous loads of delicacies in your fridge

Energy Efficiency Class: ..... E  
 Average annual energy consumption in kilowatt hour per year (kWh/a): ..... 239 kWh/a  
 Sum of volume of frozen compartments: ..... 99 l  
 Sum of volume of chill compartments: ..... 150 l  
 Airborne acoustical noise emissions : ..... 39 dB(A) re 1pW  
 Airborne acoustical noise emission class: ..... C  
 Built-in / Free-standing: ..... Built-in  
 Door panel options: ..... Not possible  
 Height: ..... 1772 mm  
 Width of the appliance: ..... 541 mm  
 Depth: ..... 548 mm  
 Min. required niche size for installation (HxWxD): .. 1775.0 x 560 x 550 mm  
 Net weight: ..... 54.1 kg  
 Fuse protection: ..... 10 A  
 Door hinge: ..... Right reversible  
 Voltage: ..... 220-240 V  
 Frequency: ..... 50 Hz  
 Length electrical supply cord: ..... 230.0 cm  
 Number of compressors: ..... 1  
 Number of independent cooling systems: ..... 1  
 Interior ventilator: ..... No  
 Reversible Door Hinge: ..... Yes  
 Number of Adjustable Shelves in fridge compartment: ..... 2  
 Shelves for Bottles: ..... No  
 Frost free system: ..... Freezer  
 Installation typology: ..... N/A



KS9E0FZ0 Package Neff FlexCooling  
 KS6B0RZ0 Bottle Rack  
 KSGG0MZ0 Butter box

*N 30, BUILT-IN FRIDGE-FREEZER WITH FREEZER  
AT BOTTOM, 177.2 X 54.1 CM, FLAT HINGE  
K17851FEOG*

#### Performance and Consumption

- EU19\_EEK\_D: E
- Total Volume : 249 l
- Annual Energy Consumption: 239 kWh/a
- Noise Level : 39 dB , EU19\_Noise emission class\_D: C

#### Functions

- Bright interior LED fridge light in fridge section
- Built-in fridge/freezer

#### Design features

- NO\_FROST\_NEU\_BL, never have to defrost ever again
- EU19\_Fast freezer facility\_D
- Electronic control (LED chain)
- Super Cooling: automatic deactivation
- optical and acoustical
- Automatic defrost fridge

#### Design features

- 3 safety glass shelves of which 2 are height adjustable
- Door shelves in fridge door: 1 large and 1 small.

#### Freshness System

- 1 FreshSafe drawer- The ideal place to store your fruit and vegetables safely.

#### Food freshness system

- Net Freezer Volume : 99 l
- Freezing capacity 24h : 5.5 kg
- Temperature rise time : EU19\_Temperature rise time\_D: 10 H
- 4 freezer drawers

#### Dimension and installation

- Dimensions: 177.2 cm H x 54.1 cm W x 54.8 cm D
- Niche Dimensions: 177.5 cm H x 56 cm W x 55 cm D

#### Key features - Fridge section

- Right hinged door, reversible
- Height adjustable front feet
- Length of power cord: 230 cm
- Climate Class: SN-ST
- 220 - 240 V

#### Key features - Freezer section

- 2 x egg tray, 1 x ice cube tray

#### Country Specific Options

- Based on the results of the standard 24-hour test. Actual consumption depends on usage/position of the appliance.

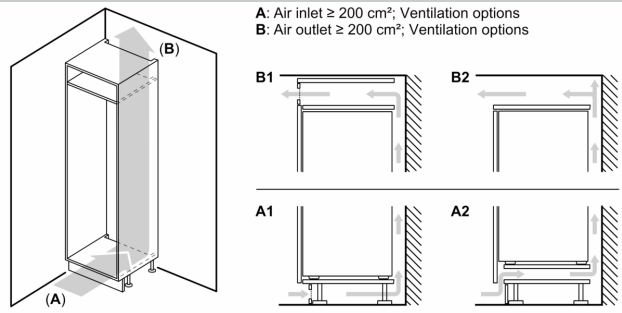
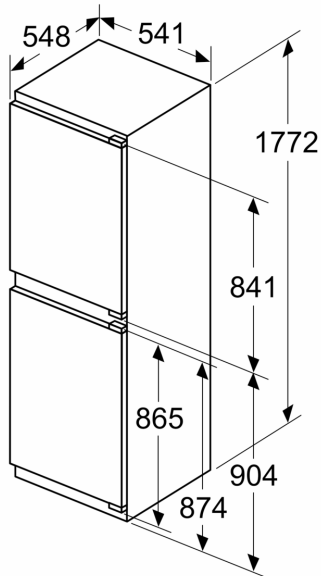
#### Design features

#### Dimension and installation

#### Additional features

N 30, BUILT-IN FRIDGE-FREEZER WITH FREEZER AT BOTTOM, 177.2 X 54.1 CM, FLAT HINGE  
KI7851FE0G

measurements in mm

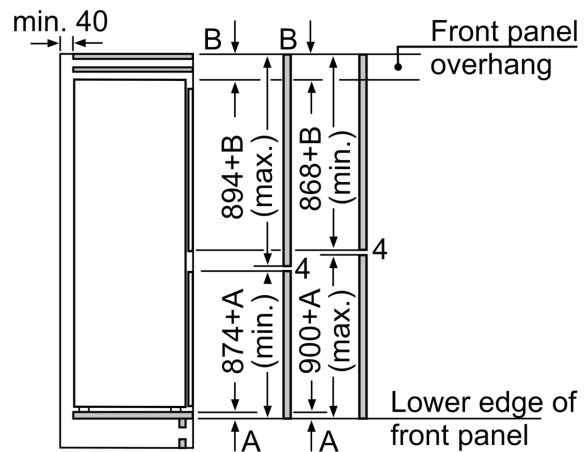


**Maximal permissible weight of the unit fronts**

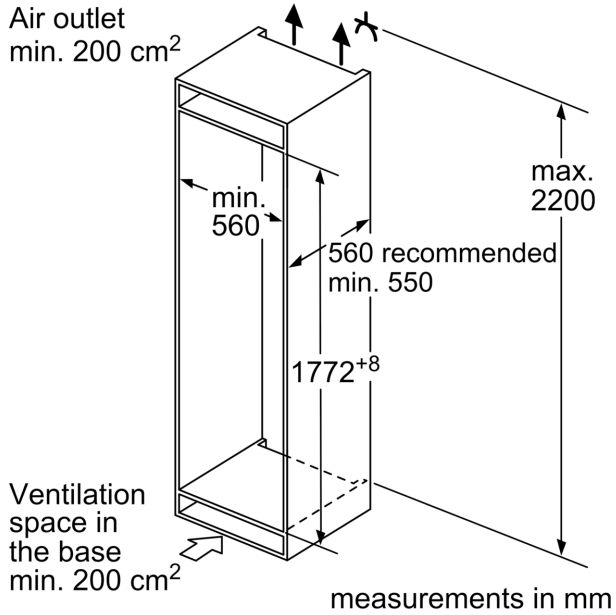
Fitted unit fronts that exceed the permissible weight may cause damage and result in functional impairment of the hinges

$\Delta$  Weight  
A: Appliance door height including hinges in mm  
B: Undamped hinge, unit front in kg  
C: Damped hinge, unit front in kg  
D: Additional possible load in kg with heavy load kit

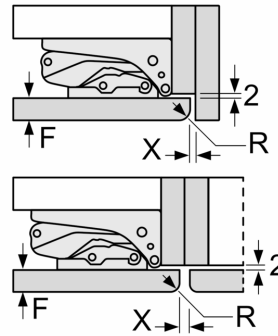
	A	B	C	D
1500-1750		22	22	
720-1400		19	19	
A1	15	19	19	B+5 / C+5
A2	15	19	19	



The specified unit door dimensions are valid for a door gap of 4 mm.  
measurements in mm



measurements in mm  
Recommended gap dimensions for flat hinges



F	R	X
16-19	0-3	2.5
20	0-1	3
	2-3	2.5
21	0-1	3
	2-3	2.5
22	0	4
	1	3.5
	2-3	3

The gap dimensions recommended in the table must be adhered to in order to ensure that appliance doors do not collide with anything when they are opened, and to avoid causing damage to kitchen units.