

N 70, BUILT-IN FRIDGE-FREEZER WITH FREEZER AT BOTTOM, 177.2 X 55.8 CM, FLAT HINGE K16863FE0G



This built-in combination refrigerator/freezer with LowFrost

- ✓ Fresh Safe 2 – Ideal storage for fruit and veg.
- ✓ Low Frost – Reduces frost in the freezer compartment for faster defrosting
- ✓ Easy Access Shelf – Slides out for easier access to items in your fridge.
- ✓ Vario Shelf – The glass shelf that can be divided, with one half stored beneath the other, for flexible configurations.
- ✓ Adjustable Glass Shelves – Height adjustable shelves create the space you need for inspiring dishes in your fridge

Energy Efficiency Class: .....E  
 Average annual energy consumption in kilowatt hour per year (kWh/a): ..... 219 kWh/a  
 Sum of volume of frozen compartments: ..... 74 l  
 Sum of volume of chill compartments: ..... 192 l  
 Airborne acoustical noise emissions : ..... 36 dB(A) re 1pW  
 Airborne acoustical noise emission class: ..... C  
 Built-in / Free-standing: ..... Built-in  
 Door panel options: ..... Not possible  
 Height: ..... 1772 mm  
 Width of the appliance: ..... 558 mm  
 Depth: ..... 545 mm  
 Min. required niche size for installation (HxWxD): .. 1775.0 x 560 x 550 mm  
 Net weight: ..... 62.6 kg  
 Connection Rating: ..... 90 W  
 Fuse protection: ..... 13 A  
 Door hinge: .....Right reversible  
 Voltage: ..... 220-240 V  
 Frequency: ..... 50 Hz  
 Length electrical supply cord: ..... 230.0 cm  
 Number of compressors: ..... 1  
 Number of independent cooling systems: ..... 2  
 Interior ventilator: ..... No  
 Reversible Door Hinge: ..... Yes  
 Number of Adjustable Shelves in fridge compartment: ..... 4  
 Shelves for Bottles: .....Yes  
 Frost free system: .....No  
 Installation typology: ..... Full-integrated

KS9E0FZ0 Package Neff FlexCooling  
 KSGG0MZ0 Butter box  
 Z10020 Bottle Rack



*N 70, BUILT-IN FRIDGE-FREEZER WITH FREEZER  
AT BOTTOM, 177.2 X 55.8 CM, FLAT HINGE  
KI6863FE0G*

#### Functions

- Bright interior LED fridge light in fridge section
- Interior design with metal applications

#### Design features

- Touchcontrol- Electronic - Electronic controls for fridge and freezer
- FreshSense - constant temperature by intelligent sensor technology  
- Constant temperature control by intelligent sensor technology
- Two separate cooling circuits allow independent temperature control and prevents the transference of humidity between the fridge and freezer cavity
- Super Cooling: automatic deactivation
- SuperFreeze function with automatic deactivation
- Holiday mode
- Acoustic door open warning indicator
- Freezer malfunction warning signal: optical and acoustical

#### Design features

- 4 safety glass shelves (4 height adjustable)
- 5 door trays, including 1x dairy compartment
- BottleFlex Shelf

#### Freshness System

- 1 FreshSafe 2 drawer; High humidity retains nutrients up to twice as long

#### Food freshness system

- lowFrost freezer
- Removeable safety glass shelves in freezer
- 3 transparent freezer drawers, 1 bigbox

#### Dimension and installation

- Dimensions: 177.2 cm H x 55.8 cm W x 54.5 cm D
- Niche Dimensions: 177.5 cm H x 56 cm W x 55 cm D

#### Key features - Fridge section

- Right hinged door, reversible
- Connection value 90 W
- 220 - 240 V

#### Key features - Freezer section

- KI6863FE0G
- bottle holder in door tray

#### Country Specific Options

- Based on the results of the standard 24-hour test. Actual consumption depends on usage/position of the appliance.

#### Design features

#### Dimension and installation

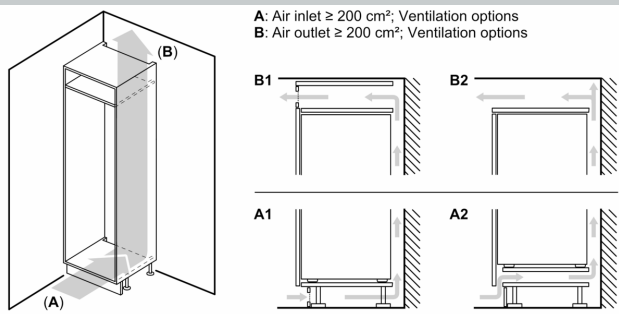
#### Additional features

#### Performance and Consumption

- EU19\_EEK\_D: E
- Total Volume : 266 l

- Net Fridge Volume : 192 l
- Net Freezer Volume : 74 l
- Freezing capacity 24h : 7 kg
- Annual Energy Consumption: 219 kWh/a
- Climate Class: SN-ST
- Noise Level : 36 dB , EU19\_Noise emission class\_D: C
- Temperature rise time : EU19\_Temperature rise time\_D: 9 H

N 70, BUILT-IN FRIDGE-FREEZER WITH FREEZER AT BOTTOM, 177.2 X 55.8 CM, FLAT HINGE  
K16863FE0G



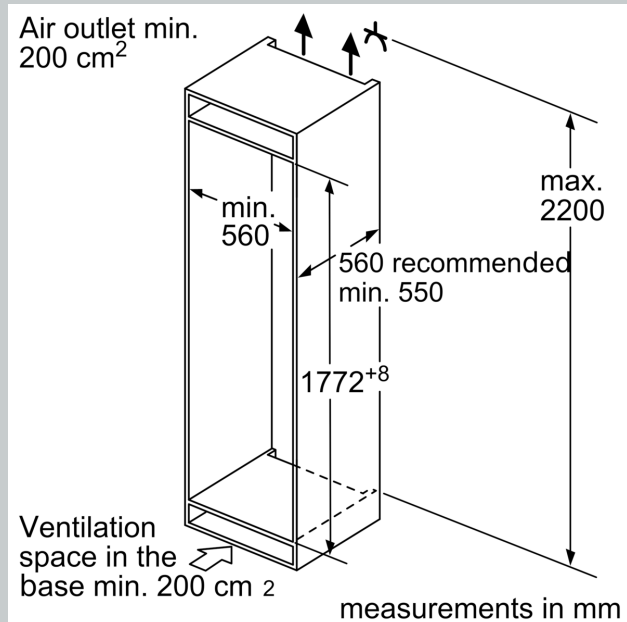
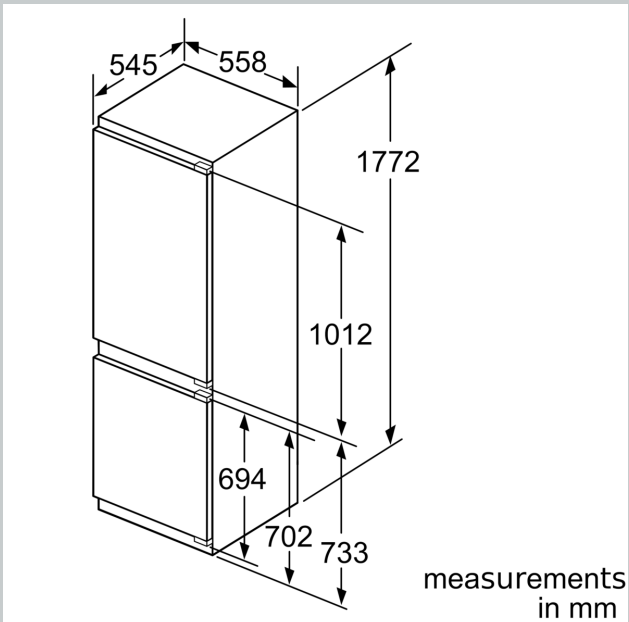
**Maximal permissible weight of the unit fronts**

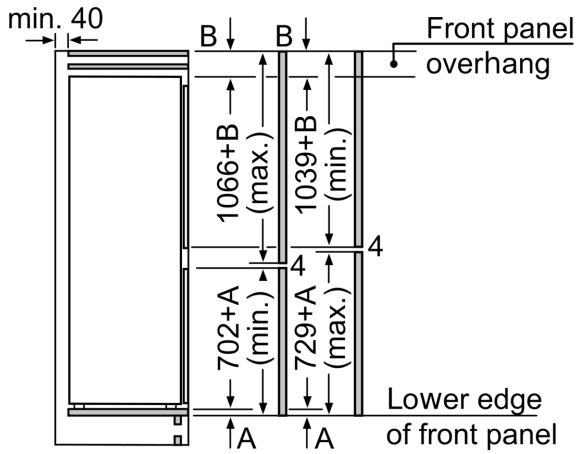
Fitted unit fronts that exceed the permissible weight may cause damage and result in functional impairment of the hinges

$\Delta$  Weight  
A: Appliance door height including hinges in mm

B: Undamped hinge, unit front in kg  
C: Damped hinge, unit front in kg  
D: Additional possible load in kg with heavy load kit

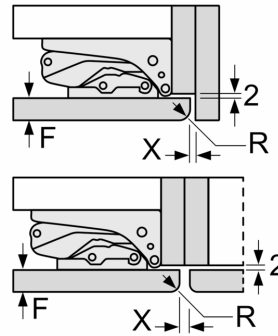
A	B	C	D
1500-1750	22	22	B+5 / C+5
720-1400	19	19	
A1	15	19	
A2	15	19	





The specified unit door dimensions are valid for a door gap of 4 mm.  
 measurements in mm

measurements in mm  
 Recommended gap dimensions for flat hinges



F	R	X
16-19	0-3	2.5
20	0-1	3
	2-3	2.5
21	0-1	3
	2-3	2.5
22	0	4
	1	3.5
	2-3	3

The gap dimensions recommended in the table must be adhered to in order to ensure that appliance doors do not collide with anything when they are opened, and to avoid causing damage to kitchen units.