

**iQ100, Built-in fridge, 122.5 x 56 cm, flat hinge
KI41R2FE1**



3 x egg tray	
KF40ZAX0	Door panel with decor frame
KF40ZSX0	Stainless steel door panel
KS6BZR00	Bottle Rack
KSGGZM00	Butter box

Built-in refrigerator with bright LED Light and autoAirflow for optimal food storage conditions.

- ✓ LED light – Even lighting throughout the inside of your fridge to keep everything in view.
- ✓ autoAirflow – Ideal air circulation for even cooling at all levels, maintaining longer freshness.

Energy Efficiency Class:	E
Average annual energy consumption in kilowatt hour per year (kWh/a):	101 kWh/annum
Sum of volume of frozen compartments:	0 l
Sum of volume of chill compartments:	204 l
Airborne acoustical noise emissions :	35 dB(A) re 1pW
Airborne acoustical noise emission class:	B
Built-in / Free-standing:	Built-in
Door panel options:	Possible but accessory
Height:	1221 mm
Width of the appliance:	541 mm
Dimensions:	548 mm
Min. required niche size for installation (HxWxD):	1225.0 x 560 x 550 mm
Weight:	39.1 kg
Fuse protection:	10 A
Door opening:	Right reversible
Nominal power:	220-240 V
Frequency:	50 Hz
Length electrical supply cord:	230.0 cm
Number of compressors:	1
Number of independent cooling systems:	1
Interior ventilator:	No
Reversible Door Hinge:	Yes
Number of Adjustable Shelves in fridge compartment:	4
Shelves for Bottles:	No
EAN code:	4242003921661
Brand:	Siemens
Product name / Commercial code:	KI41R2FE1
Product category:	Upright fridge
Frost free system:	No
Installation type:	Fully integrated
Included accessories:	3 x egg tray



iQ100, Built-in fridge, 122.5 x 56 cm, flat hinge KI41R2FE1

- Fixed hinge, softClosing door: No
- Easy Installation

Performance and Consumption

- EU19_EEK_D: E
- Total Volume : 204 l
- Net Fridge Volume : 204 l
- Net Freezer Volume : 0 l
- Annual Energy Consumption: 101 kWh/a
- Climate Class: SN-ST
- EU19_Fast freezer facility_D
- Noise Level : 35 dB , EU19_Noise emission class_D: B

Functions

- Bright interior LED fridge light

Design features

- Electronic control (LED chain)
- Automatic defrost in fridge section
- Super Cooling: automatic deactivation
- Acoustic open door warning system

Design features

- 5 safety glass shelves (4 height adjustable)

Freshness System

- 1 vegetable/salad container

Dimension and installation

- Dimensions: 122.1 cm H x 54.1 cm W x 54.8 cm D
- Niche Dimensions: 122.5 cm H x 56 cm W x 55 cm D
- Right hinged door, door reversible
- 220 - 240 V

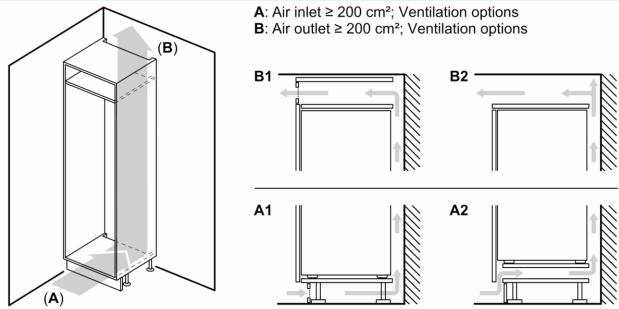
Key features - Fridge section

- 3 x egg tray
- bottle holder in door tray

Country Specific Options

- Based on the results of the standard 24-hour test. Actual consumption depends on usage/position of the appliance.

**iQ100, Built-in fridge, 122.5 x 56 cm, flat hinge
KI41R2FE1**

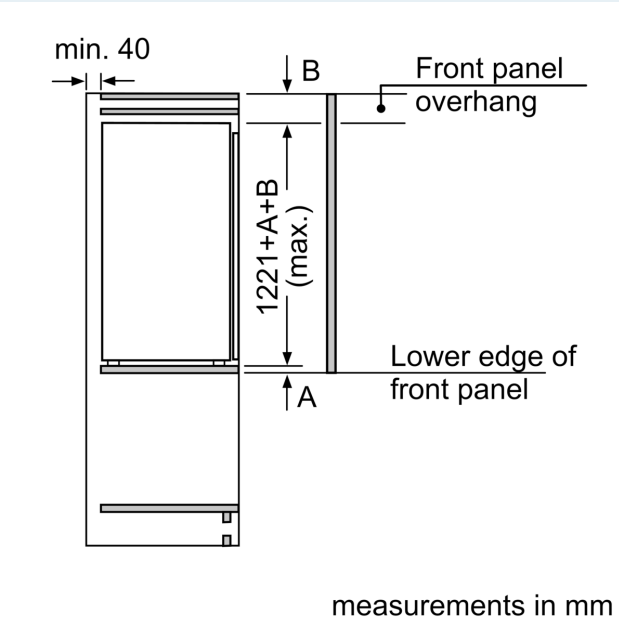
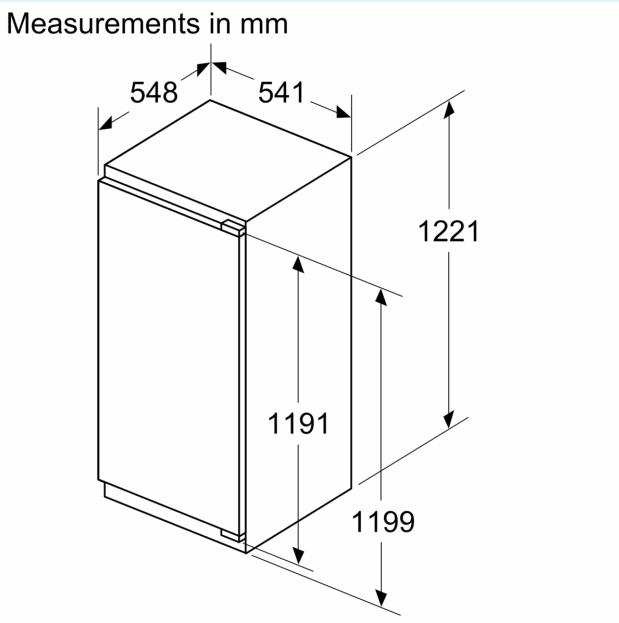


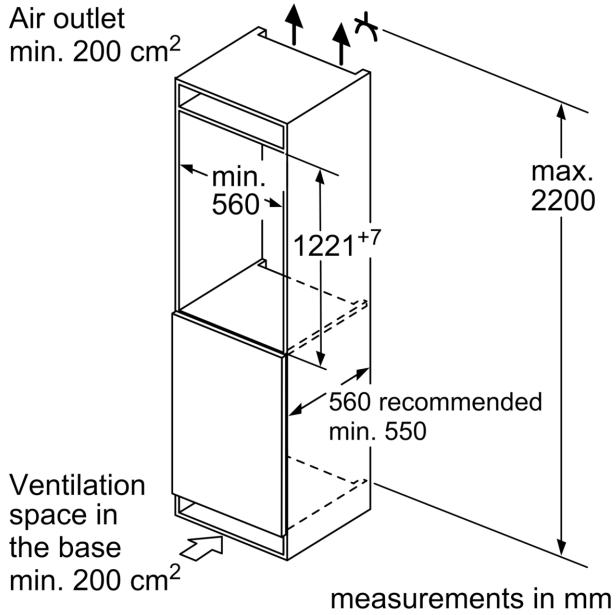
Maximal permissible weight of the unit fronts

Fitted unit fronts that exceed the permissible weight may cause damage and result in functional impairment of the hinges

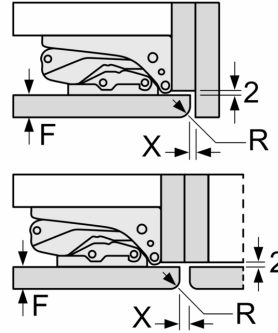
Δ Weight
A: Appliance door height including hinges in mm
B: Undamped hinge, unit front in kg
C: Damped hinge, unit front in kg
D: Additional possible load in kg with heavy load kit

A	B	C	D
1500-1750	22	22	B+5 / C+5
720-1400	19	19	
A1	15	19	
A2	15	19	





measurements in mm
Recommended gap dimensions for flat hinges



F	R	X
16-19	0-3	2.5
20	0-1	3
	2-3	2.5
21	0-1	3
	2-3	2.5
22	0	4
	1	3.5
	2-3	3

The gap dimensions recommended in the table must be adhered to in order to ensure that appliance doors do not collide with anything when they are opened, and to avoid causing damage to kitchen units.