

N 70, BUILT-IN FRIDGE WITH FREEZER SECTION,  
177.5 X 56 CM, FLAT HINGE  
KI2823FFOG



This built-in refrigerator with \*\*\*\*freezer compartment keeps foods fresher for longer with very low energy consumption.

- ✓ Fresh Safe 2 – Ideal storage for fruit and veg.
- ✓ Fresh Safe – Fridge drawer for dedicated fresh fruit and veg storage.
- ✓ Easy Access Shelf – Slides out for easier access to items in your fridge.
- ✓ Vario Shelf – The glass shelf that can be divided, with one half stored beneath the other, for flexible configurations.
- ✓ Adjustable Glass Shelves – Height adjustable shelves create the space you need for inspiring dishes in your fridge

Energy Efficiency Class: .....F  
 Average annual energy consumption in kilowatt hour per year (kWh/a): ..... 222 kWh/a  
 Sum of volume of frozen compartments: ..... 34 l  
 Sum of volume of chill compartments: ..... 252 l  
 Airborne acoustical noise emissions : ..... 36 dB(A) re 1pW  
 Airborne acoustical noise emission class: ..... C  
 Built-in / Free-standing: ..... Built-in  
 Door panel options: ..... Not possible  
 Height: ..... 1772 mm  
 Width of the appliance: ..... 558 mm  
 Depth: ..... 545 mm  
 Min. required niche size for installation (HxWxD): .. 1775.0 x 560 x 550 mm  
 Net weight: ..... 61.7 kg  
 Connection Rating: ..... 90 W  
 Fuse protection: ..... 13 A  
 Door hinge: ..... Right reversible  
 Voltage: ..... 220-240 V  
 Frequency: ..... 50 Hz  
 Length electrical supply cord: ..... 230.0 cm  
 Number of compressors: ..... 1  
 Number of independent cooling systems: ..... 1  
 Interior ventilator: ..... No  
 Reversible Door Hinge: ..... Yes  
 Number of Adjustable Shelves in fridge compartment: ..... 3  
 Shelves for Bottles: ..... No  
 EAN code: ..... 4242004249085  
 Brand: ..... Neff  
 Product name / Commercial code: ..... KI2823FFOG  
 Product category: ..... Refrigerator  
 Frost free system: ..... No  
 Installation typology: ..... Full-integrated  
 Included accessories: ..... 2 x egg tray, 1 x ice cube tray

2 x egg tray, 1 x ice cube tray

Z10020 Bottle Rack  
 KS0B0SZ0 Heavy-duty hinge support  
 KS9E0FZ0 Package Neff FlexCooling  
 KSGG0MZ0 Butter box



*N 70, BUILT-IN FRIDGE WITH FREEZER SECTION,  
177.5 X 56 CM, FLAT HINGE  
KI2823FFOG*

**Functions**

- Bright interior LED fridge light in fridge section

**Design features**

- LED Electronic control
- FreshSense - constant temperature by intelligent sensor technology  
- Constant temperature control by intelligent sensor technology
- Automatic defrost fridge
- Acoustic door open warning indicator

**Design features**

- 5 safety glass shelves (3 height adjustable)
- BottleFlex Shelf
- 5 door trays, including 1x dairy compartment

**Freshness System**

- 1 FreshSafe 2 drawer on telescopic rails; High humidity retains nutrients up to twice as long.
- 1 FreshSafe drawer on rails - The ideal place to store your fruit and vegetables safely.

**Food freshness system**

- 1 hinged freezer compartment
- 1 removable shelf of safety glass
- Ice box

**Dimension and installation**

- Dimensions: 177.2 cm H x 55.8 cm W x 54.5 cm D
- Niche Dimensions: 177.5 cm H x 56 cm W x 55 cm D

**Key features - Fridge section**

- Right hinged door, reversible
- Connection value 90 W
- 220 - 240 V

**Key features - Freezer section**

- KI2823FFOG
- bottle holder in door tray

**Country Specific Options**

- Based on the results of the standard 24-hour test. Actual consumption depends on usage/position of the appliance.

**Design features**

**Dimension and installation**

**Additional features**

**Performance and Consumption**

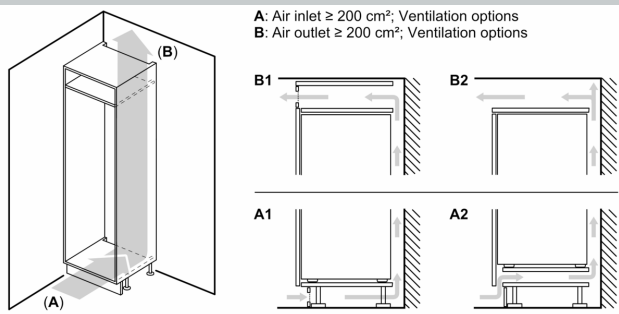
- EU19\_EEK\_D: F
- Total Volume : 286 l
- Net Fridge Volume : 252 l
- Net Freezer Volume : 34 l
- Net 4\* compartment volume : 34 l
- Freezing capacity 24h : 4 kg
- Annual Energy Consumption: 222 kWh/a

- Climate Class: SN-ST

- Noise Level : 36 dB , EU19\_Noise emission class\_D: C

- Temperature rise time : EU19\_Temperature rise time\_D: 16 H

N 70, BUILT-IN FRIDGE WITH FREEZER SECTION,  
177.5 X 56 CM, FLAT HINGE  
K12823FF0G

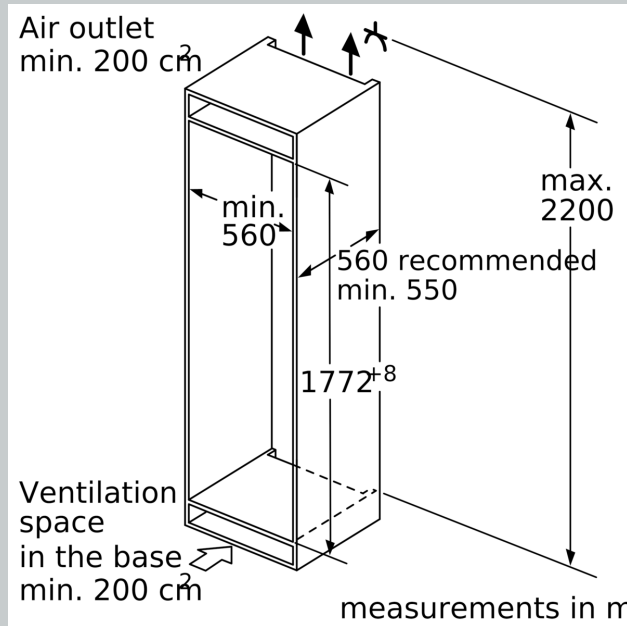
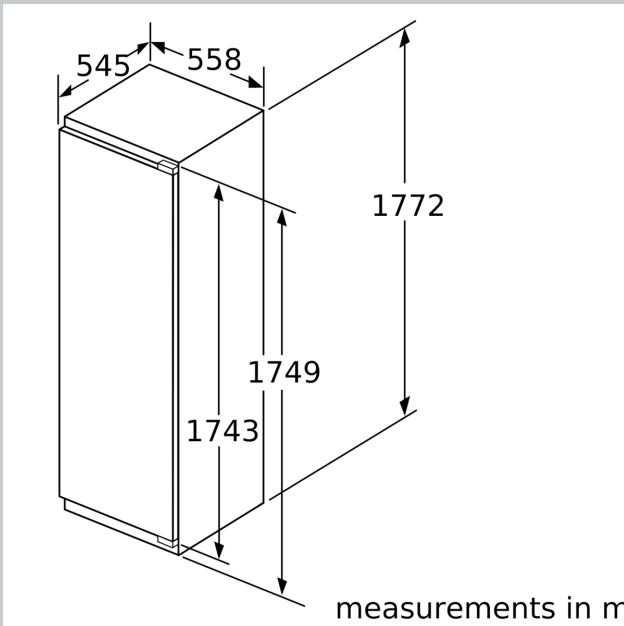


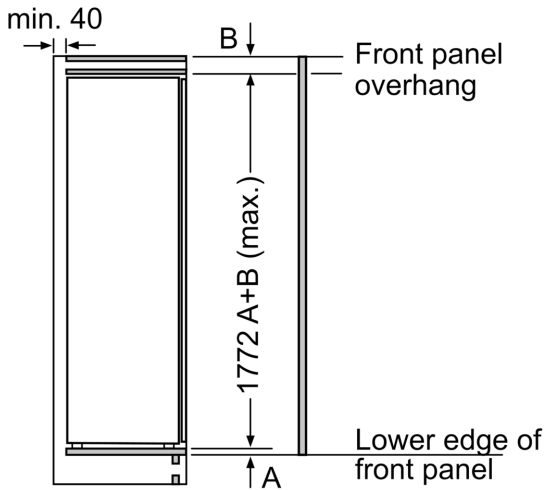
**Maximal permissible weight of the unit fronts**

Fitted unit fronts that exceed the permissible weight may cause damage and result in functional impairment of the hinges

**Δ** Weight  
**A:** Appliance door height including hinges in mm  
**B:** Undamped hinge, unit front in kg  
**C:** Damped hinge, unit front in kg  
**D:** Additional possible load in kg with heavy load kit

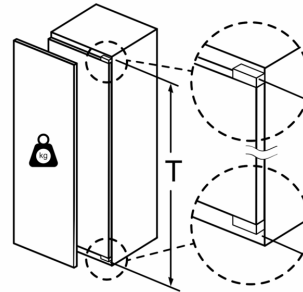
A	B	C	D
1500-1750	22	22	B+5 / C+5
720-1400	19	19	
A1	15	19	
A2	15	19	





measurements in mm

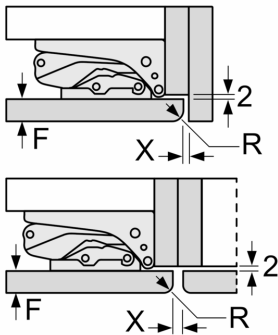
Maximal permissible weight of the unit fronts



Fitted kitchen unit doors that exceed the permissible weight may cause damage and result in functional impairment of the hinges.

T: Includes height of appliance door Hinges in mm:	undamped hinge, Door in kg:	damped hinge, Door in kg:
1500-1750	22	22

measurements in mm  
Recommended gap dimensions for flat hinges



F	R	X
16-19	0-3	2.5
20	0-1	3
	2-3	2.5
21	0-1	3
	2-3	2.5
22	0	4
	1	3.5
	2-3	3

The gap dimensions recommended in the table must be adhered to in order to ensure that appliance doors do not collide with anything when they are opened, and to avoid causing damage to kitchen units.