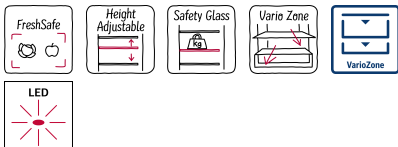


N 50, BUILT-IN FRIDGE WITH FREEZER SECTION,
177.5 X 56 CM, SLIDING HINGE
KI2822SF0G



This built-in refrigerator with freezer compartment keeps produce at its freshest with very low energy consumption.

- ✓ Fresh Safe – Fridge drawer for dedicated fresh fruit and veg storage.
- ✓ Adjustable Glass Shelves – Height adjustable shelves create the space you need for inspiring dishes in your fridge
- ✓ Our safety glass shelves happily shoulder generous loads of delicacies in your fridge
- ✓ Vario Zone – Personalise your drawers with various loading options to find the perfect fit.
- ✓ LED Light – Pleasant illumination for the entire fridge, with long-life LEDs.

Energy Efficiency Class:	F
Average annual energy consumption in kilowatt hour per year (kWh/a):	222 kWh/a
Sum of volume of frozen compartments:	34 l
Sum of volume of chill compartments:	252 l
Airborne acoustical noise emissions :	39 dB(A) re 1pW
Airborne acoustical noise emission class:	C
Built-in / Free-standing:	Built-in
Door panel options:	Not possible
Height:	1772 mm
Width of the appliance:	541 mm
Depth:	545 mm
Min. required niche size for installation (HxWxD): ..	1775.0 x 560 x 550 mm
Net weight:	57.3 kg
Connection Rating:	90 W
Fuse protection:	13 A
Door hinge:	Right reversible
Voltage:	220-240 V
Frequency:	50 Hz
Length electrical supply cord:	230.0 cm
Number of compressors:	1
Number of independent cooling systems:	1
Interior ventilator:	No
Reversible Door Hinge:	Yes
Number of Adjustable Shelves in fridge compartment:	4
Shelves for Bottles:	No
EAN code:	4242004249061
Brand:	Neff
Product name / Commercial code:	KI2822SF0G
Product category:	Refrigerator
Frost free system:	No
Installation typology:	Full-integrated
Included accessories:	2 x egg tray, 1 x ice cube tray

2 x egg tray, 1 x ice cube tray

KSGG0MZO Butter box
KS10Z020 Bottle Rack
KS9E0FZ0 Package Neff FlexCooling



*N 50, BUILT-IN FRIDGE WITH FREEZER SECTION,
177.5 X 56 CM, SLIDING HINGE
K12822SFOG*

Functions

- Bright interior LED fridge light in fridge section

Design features

- Electronic control (LED chain)
- FreshSense - constant temperature by intelligent sensor technology
- Constant temperature control by intelligent sensor technology
- Automatic defrost fridge
- Super Cooling: automatic deactivation

Design features

- 5 safety glass shelves in fridge compartment of which 4 are height adjustable
- Door shelves in fridge door: 2 large and 3 small.

Freshness System

- 2 vegetable/salad containers

Food freshness system

- 1 hinged freezer compartment
- 1 removable shelf of safety glass
- Ice box

Dimension and installation

- Dimensions: 177.2 cm H x 54.1 cm W x 54.5 cm D
- Niche Dimensions: 177.5 cm H x 56 cm W x 55 cm D

Key features - Fridge section

- Right hinged door, reversible
- Connection value 90 W
- 220 - 240 V

Key features - Freezer section

- bottle holder in door tray

Country Specific Options

- Based on the results of the standard 24-hour test. Actual consumption depends on usage/position of the appliance.

Design features

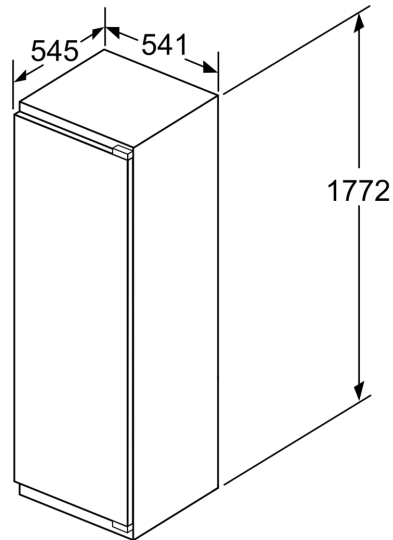
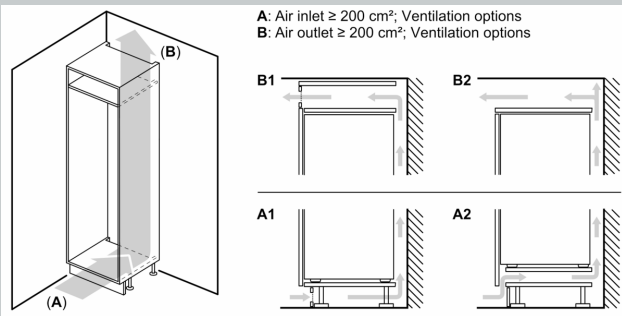
Dimension and installation

Additional features

Performance and Consumption

- EU19_EEK_D: F
- Total Volume : 286 l
- Net Fridge Volume : 252 l
- Net Freezer Volume : 34 l
- Net 4* compartment volume : 34 l
- Freezing capacity 24h : 4 kg
- Annual Energy Consumption: 222 kWh/a
- Climate Class: SN-ST
- Noise Level : 39 dB , EU19_Noise emission class_D: C
- Temperature rise time : EU19_Temperature rise time_D: 16 H

N 50, BUILT-IN FRIDGE WITH FREEZER SECTION,
177.5 X 56 CM, SLIDING HINGE
K12822SFOG



measurements in mm

