

N 70, BUILT-IN FRIDGE, 177.5 X 56 CM, FLAT HINGE
K11813FE0G



The Built-In fridge keeps food fresher for longer and offers lots of extra space for bottles and all kinds of groceries.

- ✓ Fresh Safe 2 – Ideal storage for fruit and veg.
- ✓ Fresh Safe – Fridge drawer for dedicated fresh fruit and veg storage.
- ✓ Easy Access Shelf – Slides out for easier access to items in your fridge.
- ✓ Vario Shelf – The glass shelf that can be divided, with one half stored beneath the other, for flexible configurations.
- ✓ Adjustable Glass Shelves – Height adjustable shelves create the space you need for inspiring dishes in your fridge

Energy Efficiency Class:E
 Average annual energy consumption in kilowatt hour per year (kWh/a): 115 kWh/a
 Sum of volume of frozen compartments: 0 l
 Sum of volume of chill compartments:319 l
 Airborne acoustical noise emissions : 37 dB(A) re 1pW
 Airborne acoustical noise emission class: C
 Built-in / Free-standing: Built-in
 Door panel options: Not possible
 Height: 1772 mm
 Width of the appliance: 558 mm
 Depth: 545 mm
 Min. required niche size for installation (HxWxD): .. 1775.0 x 560 x 550 mm
 Net weight: 61.7 kg
 Connection Rating: 90 W
 Fuse protection:13 A
 Door hinge:Right reversible
 Voltage: 220-240 V
 Frequency:50 Hz
 Length electrical supply cord: 230.0 cm
 Number of compressors:1
 Number of independent cooling systems: 1
 Interior ventilator: Yes
 Reversible Door Hinge: Yes
 Number of Adjustable Shelves in fridge compartment: 5
 Shelves for Bottles: No
 EAN code:4242004251545
 Brand:Neff
 Product name / Commercial code:K11813FE0G
 Product category:Refrigerator
 Frost free system:No
 Installation typology: Full-integrated
 Included accessories: 2 x egg tray

2 x egg tray

KS0B0SZ0	Heavy-duty hinge support
KS9E0FZ0	Package Neff FlexCooling
KSGG0MZ0	Butter box
Z10020	Bottle Rack



N 70, BUILT-IN FRIDGE, 177.5 X 56 CM, FLAT HINGE K11813FEOG

Design features

- Automatic defrost fridge
- Touchcontrol- Electronic - LED Electronic control
- Right hinged door, reversible

Freshness System

- FreshSense - constant temperature by intelligent sensor technology
- Constant temperature control by intelligent sensor technology

Key features - Fridge section

- 1 FreshSafe 2 drawer on telescopic rails; High humidity retains nutrients up to twice as long.
- 1 FreshSafe drawer on rails - The ideal place to store your fruit and vegetables safely.
- Bright interior LED fridge light
- Super Cooling: automatic deactivation
- 7 safety glass shelves (5 height adjustable)
- 6 door trays, including 1x dairy compartment
- BottleFlex Shelf
- bottle holder in door tray

Functions

- Acoustic door open warning indicator

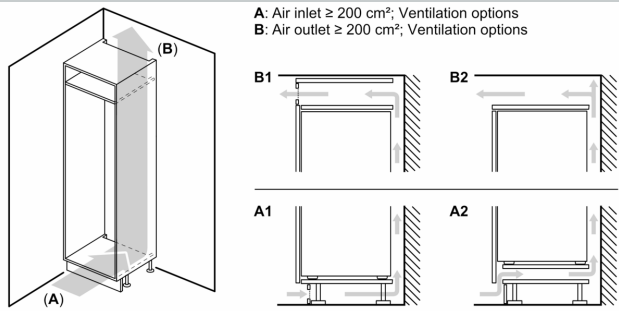
Dimension and installation

- Easy Installation
- Connection value 90 W
- Dimensions: 177.2 cm H x 55.8 cm W x 54.5 cm D
- Niche Dimensions: 177.5 cm H x 56 cm W x 55 cm D
- Based on the results of the standard 24-hour test. Actual consumption depends on usage/position of the appliance.

Performance and Consumption

- EU19_EEK_D: E
- Total Volume : 319 l
- Net Fridge Volume : 319 l
- Net Freezer Volume : 0 l
- Annual Energy Consumption: 115 kWh/a
- Climate Class: SN-ST
- Noise Level : 37 dB , EU19_Noise emission class_D: C

N 70, BUILT-IN FRIDGE, 177.5 X 56 CM, FLAT HINGE
K1813FEOG



Maximal permissible weight of the unit fronts

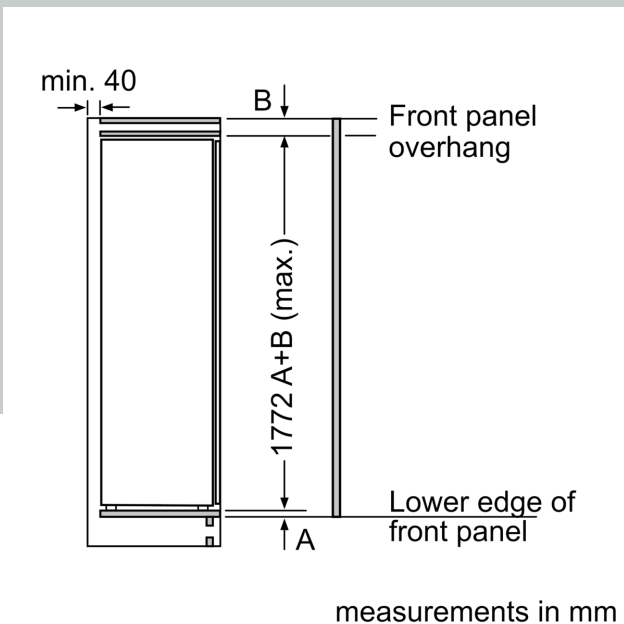
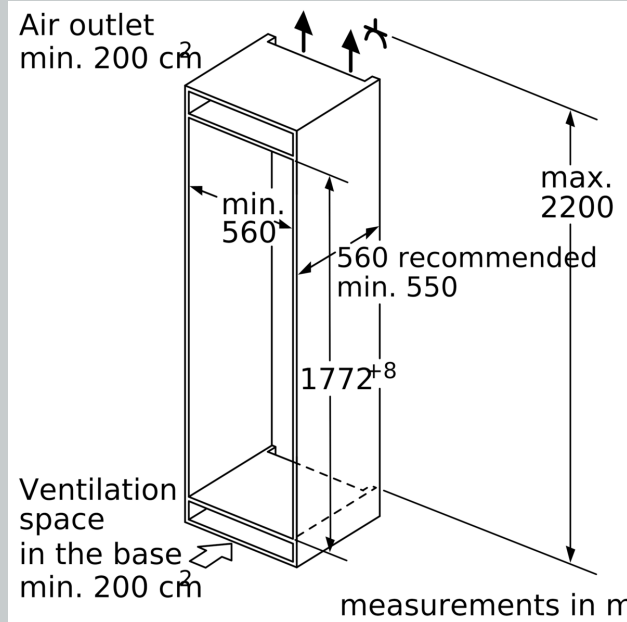
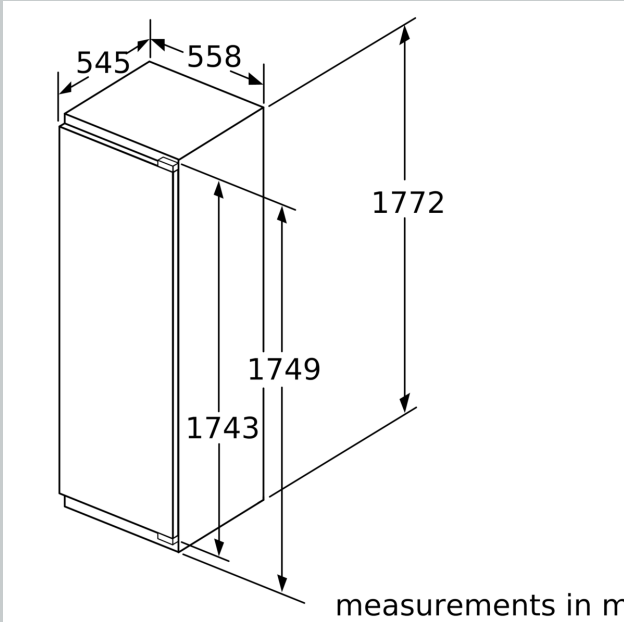
Fitted unit fronts that exceed the permissible weight may cause damage and result in functional impairment of the hinges

A: Weight
A: Appliance door height including hinges in mm

B: Undamped hinge, unit front in kg
C: Damped hinge, unit front in kg

D: Additional possible load in kg with heavy load kit

A	B	C	D
1500-1750	22	22	B+5 / C+5
720-1400	19	19	
A1	15	19	
A2	15	19	

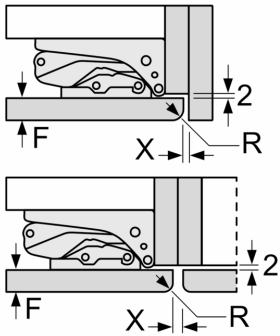


Maximal permissible weight of the unit fronts

Fitted kitchen unit doors that exceed the permissible weight may cause damage and result in functional impairment of the hinges.

T: Includes height of appliance door Hinges in mm:	undamped hinge, Door in kg:	damped hinge, Door in kg:
1500-1750	22	22

measurements in mm
Recommended gap dimensions for flat hinges



F	R	X
16-19	0-3	2.5
20	0-1	3
	2-3	2.5
21	0-1	3
	2-3	2.5
22	0	4
	1	3.5
	2-3	3

The gap dimensions recommended in the table must be adhered to in order to ensure that appliance doors do not collide with anything when they are opened, and to avoid causing damage to kitchen units.