

N 50, BUILT-IN FRIDGE, 177.5 X 56 CM, SLIDING HINGE
K11812SFOG



2 x egg tray	
KS10Z020	Bottle Rack
KS9E0FZ0	Package Neff FlexCooling
KSGG0MZ0	Butter box

The built-in refrigerator with pleasant LED interior lighting for perfect storage of your fruit and vegetables.

- ✓ Fresh Safe – Fridge drawer for dedicated fresh fruit and veg storage.
- ✓ Adjustable Glass Shelves – Height adjustable shelves create the space you need for inspiring dishes in your fridge
- ✓ Our safety glass shelves happily shoulder generous loads of delicacies in your fridge
- ✓ LED Light – Pleasant illumination for the entire fridge, with long-life LEDs.
- ✓ Super Cooling – Reduces the temperature for quick chilling, before returning to the regular setting.

Energy Efficiency Class:F
Average annual energy consumption in kilowatt hour per year (kWh/a): 144 kWh/a
Sum of volume of frozen compartments: 0 l
Sum of volume of chill compartments: 319 l
Airborne acoustical noise emissions : 37 dB(A) re 1pW
Airborne acoustical noise emission class: C
Built-in / Free-standing: Built-in
Door panel options: Not possible
Height: 1772 mm
Width of the appliance: 541 mm
Depth: 545 mm
Min. required niche size for installation (HxWxD):	.. 1775.0 x 560 x 550 mm
Net weight: 59.2 kg
Connection Rating: 90 W
Fuse protection: 13 A
Door hinge: Right reversible
Voltage: 220-240 V
Frequency: 50 Hz
Length electrical supply cord: 230.0 cm
Number of compressors: 1
Number of independent cooling systems: 1
Interior ventilator: No
Reversible Door Hinge: Yes
Number of Adjustable Shelves in fridge compartment: 6
Shelves for Bottles: No
EAN code: 4242004247210
Brand: Neff
Product name / Commercial code: K11812SFOG
Product category: Refrigerator
Frost free system: No
Installation typology: Full-integrated
Included accessories: 2 x egg tray



N 50, BUILT-IN FRIDGE, 177.5 X 56 CM, SLIDING
HINGE
K1812SFOG

Functions

- Bright interior LED fridge light

Design features

- Electronic control (LED chain)
- FreshSense - constant temperature by intelligent sensor technology
- Constant temperature control by intelligent sensor technology
- Automatic defrost fridge
- Super Cooling: automatic deactivation

Design features

- 7 safety glass shelves of which 6 are height adjustable
- 6 door bins

Freshness System

- 2 vegetable/salad containers

Performance and Consumption

Dimension and installation

- Dimensions: 177.2 cm H x 54.1 cm W x 54.5 cm D
- Niche Dimensions: 177.5 cm H x 56 cm W x 55 cm D

Key features - Fridge section

- Right hinged door, reversible
- Connection value 90 W
- 220 - 240 V

Key features - Freezer section

- 2 x egg tray

Country Specific Options

- Based on the results of the standard 24-hour test. Actual consumption depends on usage/position of the appliance.

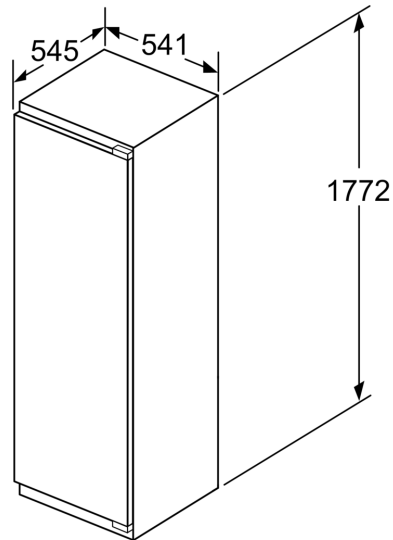
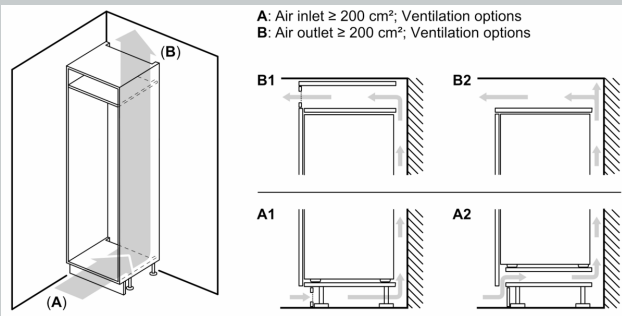
Design features

Additional features

Dimension and installation

- EU19_EEK_D: F
- Total Volume : 319 l
- Net Fridge Volume : 319 l
- Net Freezer Volume : 0 l
- Annual Energy Consumption: 144 kWh/a
- Climate Class: SN-ST
- EU19_Fast freezer facility_D
- Noise Level : 37 dB , EU19_Noise emission class_D: C

N 50, BUILT-IN FRIDGE, 177.5 X 56 CM, SLIDING HINGE
K1812SFOG



measurements in mm

