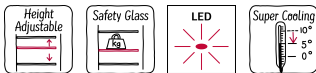


N 30, BUILT-IN FRIDGE, 177.5 X 56 CM, SLIDING HINGE
K11811SE0G



The spacious built-in fridge with Fresh Safe drawer for fruit and vegetables and plenty of flexible storage options.

- ✓ Adjustable Glass Shelves – Height adjustable shelves create the space you need for inspiring dishes in your fridge
- ✓ Our safety glass shelves happily shoulder generous loads of delicacies in your fridge
- ✓ LED Light – Pleasant illumination for the entire fridge, with long-life LEDs.
- ✓ Super Cooling – Reduces the temperature for quick chilling, before returning to the regular setting.

Energy Efficiency Class:E
 Average annual energy consumption in kilowatt hour per year (kWh/a): 114 kWh/a
 Sum of volume of frozen compartments: 0 l
 Sum of volume of chill compartments: 310 l
 Airborne acoustical noise emissions : 35 dB(A) re 1pW
 Airborne acoustical noise emission class: B
 Built-in / Free-standing: Built-in
 Door panel options: Not possible
 Height: 1772 mm
 Width of the appliance: 541 mm
 Depth: 548 mm
 Min. required niche size for installation (HxWxD): .. 1775.0 x 560 x 550 mm
 Net weight: 50.8 kg
 Fuse protection: 10 A
 Door hinge: Right reversible
 Voltage: 220-240 V
 Frequency: 50 Hz
 Length electrical supply cord: 230.0 cm
 Number of compressors: 1
 Number of independent cooling systems: 1
 Interior ventilator: Yes
 Reversible Door Hinge: Yes
 Number of Adjustable Shelves in fridge compartment: 5
 Shelves for Bottles: No
 EAN code: 4242004271925
 Brand: Neff
 Product name / Commercial code: K11811SE0G
 Product category: Refrigerator
 Frost free system: No
 Installation typology: Full-integrated
 Included accessories: 3 x egg tray

3 x egg tray

KS6B0RZ0 Bottle Rack
 KSGG0MZ0 Butter box



N 30, BUILT-IN FRIDGE, 177.5 X 56 CM, SLIDING
HINGE
K1811SE0G

- Sliding hinge, softClosing door: No

Performance and Consumption

- EU19_EEK_D: E
- Total Volume : 310 l
- Annual Energy Consumption: 114 kWh/a
- Noise Level : 35 dB , EU19_Noise emission class_D: B

Functions

- Bright interior LED fridge light

Design features

- Electronic control (LED chain)
- optical and acoustical
- Super Cooling: automatic deactivation
- Automatic defrost fridge
- Easy clean interior

Design features

- Net Fridge Volume : 310 l
- 7 safety glass shelves in fridge compartment of which 5 are height adjustable
- 5 door bins

Freshness System

- 2 vegetable/salad containers

Key features - Fridge section

- Right hinged door, reversible
- built-in, partly integrated
- Length of power cord:230 cm
- Climate Class: SN-ST
- 220 - 240 V

Dimension and installation

- Niche Dimensions: 177.5 cm H x 56 cm W x 55 cm D

Key features - Freezer section

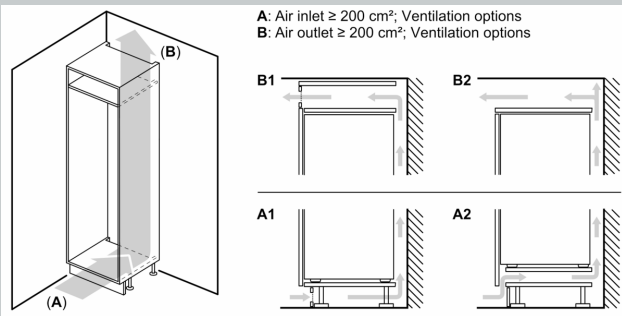
- K1811SE0G

Country Specific Options

- Based on the results of the standard 24-hour test. Actual consumption depends on usage/position of the appliance.

Additional features

N 30, BUILT-IN FRIDGE, 177.5 X 56 CM, SLIDING
HINGE
K11811SE0G



Measurements in mm

