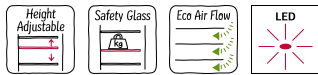


N 30, BUILT-IN FRIDGE, 122.5 X 56 CM, SLIDING HINGE
K11411SEO



This built-in refrigerator keeps food at its freshest thanks to the ideal air circulation Eco Air Flow.

- ✓ Adjustable Glass Shelves – Height adjustable shelves create the space you need for inspiring dishes in your fridge
- ✓ Our safety glass shelves happily shoulder generous loads of delicacies in your fridge
- ✓ Eco Air Flow – Even air circulation for constant temperatures and fast cooling.
- ✓ LED Light – Pleasant illumination for the entire fridge, with long-life LEDs.

Energy Efficiency Class:E
 Average annual energy consumption in kilowatt hour per year (kWh/a): 101 kWh/a
 Sum of volume of frozen compartments: 0 l
 Sum of volume of chill compartments: 204 l
 Airborne acoustical noise emissions : 35 dB(A) re 1pW
 Airborne acoustical noise emission class: B
 Built-in / Free-standing: Built-in
 Door panel options: Not possible
 Height: 1221 mm
 Width of the appliance: 541 mm
 Depth: 548 mm
 Min. required niche size for installation (HxWxD): .. 1225.0 x 560 x 550 mm
 Net weight: 38.1 kg
 Fuse protection: 10 A
 Door hinge: Right reversible
 Voltage: 220-240 V
 Frequency: 50 Hz
 Length electrical supply cord: 230.0 cm
 Number of compressors: 1
 Number of independent cooling systems: 1
 Interior ventilator: No
 Reversible Door Hinge: Yes
 Number of Adjustable Shelves in fridge compartment: 4
 Shelves for Bottles: No
 EAN code: 4242004264644
 Brand: Neff
 Product name / Commercial code: K11411SEO
 Product category: Refrigerator
 Frost free system: No
 Installation typology: Full-integrated
 Included accessories: 3 x egg tray



3 x egg tray

KS6B0RZ0 Bottle Rack
 KSGG0MZ0 Butter box

N 30, BUILT-IN FRIDGE, 122.5 X 56 CM, SLIDING
HINGE
K17411SEO

- Built-in fridge
- easy Installation
- Sliding hinge, softClosing door: No

Performance and Consumption

- EU19_EEK_D: E
- Total Volume : 204 l
- Net Fridge Volume : 204 l
- Net Freezer Volume : 0 l
- Annual Energy Consumption: 101 kWh/a
- Climate Class: SN-ST
- EU19_Fast freezer facility_D
- Noise Level : 35 dB , EU19_Noise emission class_D: B

Functions

- Bright interior LED fridge light in fridge section

Design features

- Electronic control (LED chain)
- Super Cooling: automatic deactivation
- 5 safety glass shelves in fridge compartment of which 4 are height adjustable
- 1 removable door storage compartments.
- 4 door bins

Freshness System

- 1 FreshSafe drawer- The ideal place to store your fruit and vegetables safely.

Dimension and installation

- Dimensions: 122.1 cm H x 54.1 cm W x 54.8 cm D
- Niche Dimensions: 122.5 cm H x 56 cm W x 55 cm D
- 220 - 240 V

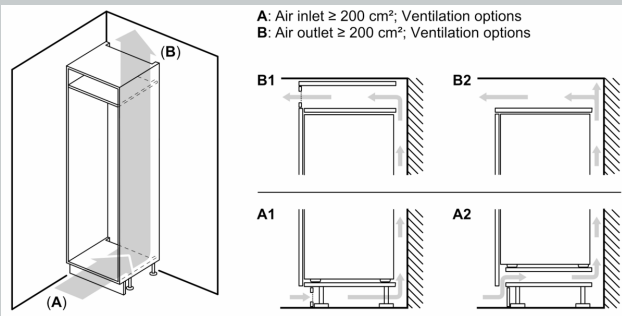
Key features - Fridge section

- 2 x egg tray

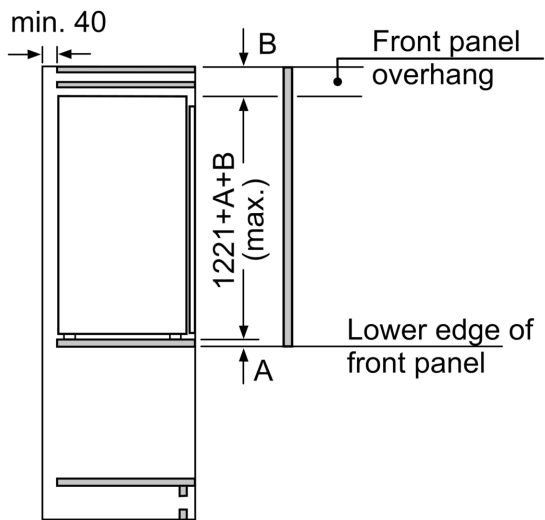
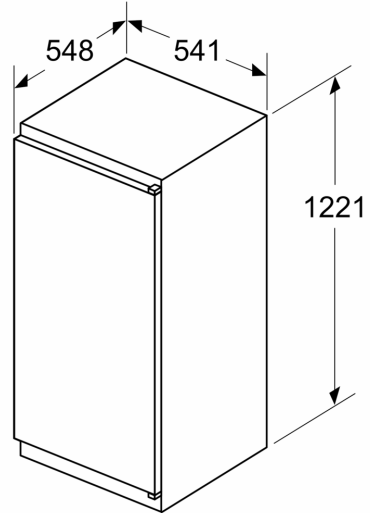
Country Specific Options

- Based on the results of the standard 24-hour test. Actual consumption depends on usage/position of the appliance.

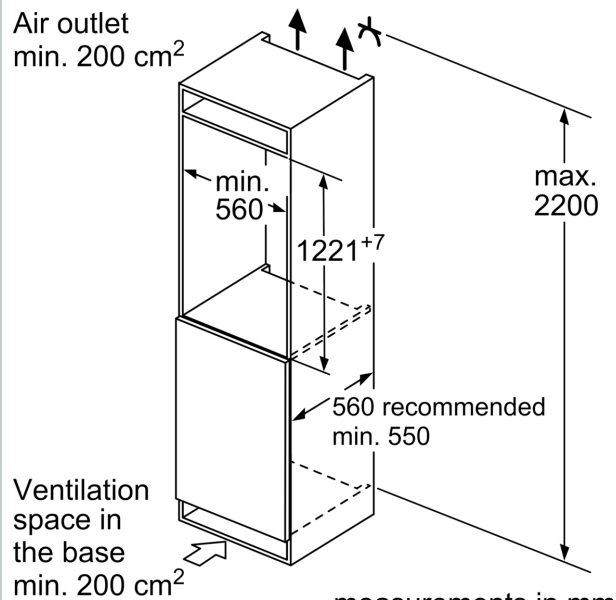
N 30, BUILT-IN FRIDGE, 122.5 X 56 CM, SLIDING
HINGE
K11411SE0



Measurements in mm



measurements in mm



measurements in mm