

iQ700, French door bottom freezer, multi door, 183 x 90.5 cm, Brushed black steel antiFingerprint KF96DPXEA



The Multi Door fridge freezer combination: where freshness meets intelligent design. Longer fresh with hyperFresh XXL <math><0^{\circ}\text{C}></math>, no defrosting anymore due to noFrost, filtered water and ice at the push of a button.

- ✓ hyperFresh <math><0^{\circ}></math> – More space for fruit and vegetables. Dedicated storage for fish and meat.
- ✓ Multi purpose shelf: the aluminium shelf that can be used as a bottle or flat rack.
- ✓ doorAlarm – A gentle reminder to keep the door closed.
- ✓ LED light – Even lighting throughout the inside of your fridge to keep everything in view.
- ✓ Ice & water dispenser with tap connection: convenient refreshment.

Energy Efficiency Class:	E
Average annual energy consumption in kilowatt hour per year (kWh/a):	327 kWh/annum
Sum of volume of frozen compartments:	199 l
Sum of volume of chill compartments:	375 l
Airborne acoustical noise emissions :	39 dB(A) re 1 pW
Airborne acoustical noise emission class:	C
Built-in / Free-standing:	Freestanding
Door panel options:	Not possible
Height:	1830 mm
Width of the appliance:	905 mm
Dimensions:	731 mm
Weight:	130.5 kg
Fuse protection:	10 A
Door opening:	left and right
Nominal power:	220-240 V
Frequency:	50-60 Hz
Length electrical supply cord:	240.0 cm
Number of compressors:	1
Number of independent cooling systems:	1
Interior ventilator:	Yes
Reversible Door Hinge:	No
Number of Adjustable Shelves in fridge compartment:	4
Shelves for Bottles:	Yes
Frost free system:	Fridge and freezer
Installation type:	Freestanding



iQ700, French door bottom freezer, multi door, 183 x 90.5 cm, Brushed black steel antiFingerprint KF96DPXEA

- NoFrost, Free standing Multi door fridge freezer
- Standard door Black steel - anti-fingerprint finish

Performance and Consumption

- EU19_EEK_D: E
- Total Volume : 574 l
- Annual Energy Consumption: 327 kWh/a
- Noise Level : 39 dB , EU19_Noise emission class_D: C

Functions

- Black steel - anti-fingerprint finish doors and cast iron side panels
- Plastic Integr. handle hori. and vert.
- Bright interior LED fridge light

Design features

- NO_FROST_NEU_BL, never have to defrost ever again
- LED display for fridge and freezer
- Home Connect: iService Remote, Remote Monitoring and Control with Wi-Fi connectivity
- Wi-Fi connectivity
- lockable lid
- Interior design with metal applications
- Freezer malfunction warning signal: Acoustic Warning System
- Automatic defrost in fridge section
- Holiday mode, Sabbath Mode
- Freezer malfunction warning signal: optical, acoustical
- Water dispenser: yes, direct conn.water-tap
- Separate temperature control for cooling and freezing section
- Super Cooling: automatic deactivation
- superFreeze function with automatic deactivation
- optical, acoustic for Fridge and Freeze

Ice and Water

- Illuminated water and ice dispenser
- Automatic ice cube maker
- 4 litre water tank integrated under shelf
- Internal water filter

Design features

- Net Fridge Volume : 375 l
- Bright interior LED fridge light in fridge section
- multiAirflow cooling - improves circulation of air around the fridge
- 5 safety glass shelves of which 4 are height adjustable, 1 dividable glass shelf 2 shelves extendable
- 1 dividable glass shelf
- Door shelves in fridge door: 1 large and 3 small.
- flexShelf - easy to pull down if required, space saving if not in use
- 1 dairy compartment in door

Freshness System

- coolBox - extra cold fridge drawer. Ideal to store meat and fish.
- 1 crisperBox - vegetable/salad container with humidity control

Food freshness system

- Net Freezer Volume : 199 l
- Freezing capacity 24h : 16 kg
- NoFrost
- 6 freezer drawers
- EU19_Fast freezer facility_D

Key features - Fridge section

- 4 wheels for easier transport, 3 of them height adjustable.
- Climate Class: SN-T
- 220 - 240 V
- Connection Length (water supply):300 cm
- Length of power cord:240 cm

Dimension and installation

- Dimensions: 183 cm H x 90.5 cm W x 73.1 cm D

Key features - Freezer section

- 3 x egg tray

Included accessories

Country Specific Options

- Based on the results of the standard 24-hour test. Actual consumption depends on usage/position of the appliance.

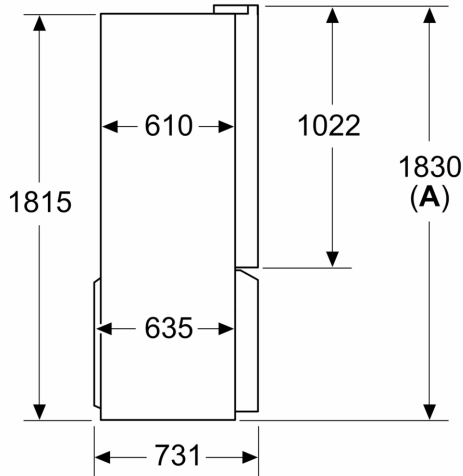
Design features

Dimension and installation

Additional features

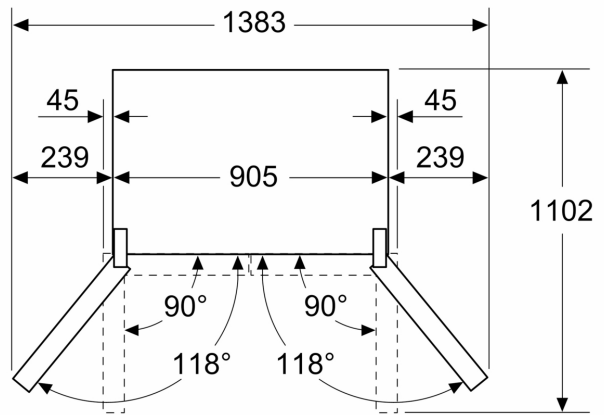
iQ700, French door bottom freezer, multi door, 183 x 90.5 cm, Brushed black steel antiFingerprint KF96DPXEA

Measurements in mm

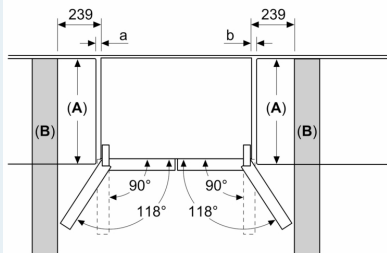


A: Front is adjustable 1830–1847 mm, with front levelling feet fully extended

Measurements in mm



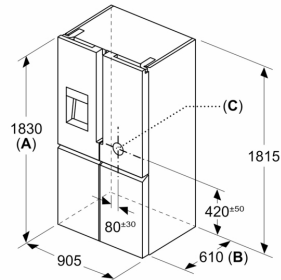
Measurements in mm



A	a	b
≤ 600	0	0
600 < A ≤ 650	45	45
650 < A ≤ 700	60	60
> 700	239	239

A: Kitchen cabinet or worktop depth
B: Wall
 Drawers can be pulled and taken out with door open to 90°

Measurements in mm



A: Front is adjustable 1830–1847 mm, with front levelling feet fully extended
B: Add 25 mm for fixed spacers on back
C: Water connection position