

**Series 2, Built-in fridge-freezer with freezer at bottom, 193.5 x 69.1 cm, sliding hinge  
KBN96NSE1G**



KSZGGM00 Butter box

**Built-in fridge freezer with XXL capacity and VitaFresh drawer: big boost in fridge capacity and ideal storage conditions for all your food.**

- **Built-in XXL:** 45% more volume. Extra wide and extra high for hassle-free storage.
- **VitaFresh XXL:** the extra-large, climate-controlled fridge drawer for fruit and vegetables.
- **No Frost:** never defrost again, thanks to perfect protection from ice formation - that saves time and effort.
- **LED lighting:** all your items in perfect view.
- **An audible alarm system signals the door is open**

Energy Efficiency Class: .....	E
Average annual energy consumption in kilowatt hour per year (kWh/a): .....	256 kWh/annum
Sum of volume of frozen compartments: .....	98 l
Sum of volume of chill compartments: .....	285 l
Airborne acoustical noise emissions : .....	34 dB(A) re 1pW
Airborne acoustical noise emission class: .....	B
Built-in / Free-standing: .....	Built-in
Door panel options: .....	Not possible
Height: .....	1935 mm
Width of the appliance: .....	691 mm
Depth: .....	548 mm
Required niche size for installation (HxWxD): ...	1940 x 710 x 560 mm
Net weight: .....	65.6 kg
EAN code: .....	4242005529506
Fuse protection: .....	10 A
Door hinge: .....	Right reversible
Voltage: .....	220-240 V
Frequency: .....	50 Hz
Length electrical supply cord: .....	230.0 cm
Number of compressors: .....	1
Number of independent cooling systems: .....	2
Interior ventilator: .....	No
Reversible Door Hinge: .....	Yes
Number of Adjustable Shelves in fridge compartment: .....	4
Shelves for Bottles: .....	No
Frost free system: .....	Freezer
Installation typology: .....	Integrated



## Series 2, Built-in fridge-freezer with freezer at bottom, 193.5 x 69.1 cm, sliding hinge KBN96NSE1G

### Built-in fridge freezer with XXL capacity and VitaFresh drawer: big boost in fridge capacity and ideal storage conditions for all your food.

- KBN96NSE1G
- NoFrost freezer, Built-in fridge-freezer
- Sliding hinge, softClosing door: No

#### Performance and Consumption

- EU19\_EEK\_D: E
- Total Volume : 383 l
- Net Fridge Volume : 285 l
- Net Freezer Volume : 98 l
- Annual Energy Consumption: 256 kWh/a
- Noise Level : 34 dB , EU19\_Noise emission class\_D: B

#### Functions

- Bright interior LED fridge light in fridge section
- Built-in fridge-freezer

#### Design features

- NO\_FROST\_NEU\_BL, never have to defrost ever again
- EU19\_Fast freezer facility\_D
- Wi-Fi connectivity
- Home Connect: iService Remote, Remote Monitoring and Control with Wi-Fi connectivity
- Separate, electronic temperature control with LED display
- Super Cooling: automatic deactivation
- Optical and accoustical
- Automatic defrost fridge

#### Design features

- 5 safety glass shelves of which 4 are height adjustable
- Door shelves in fridge door: 1 large and 3 small.

#### Freshness System

- 1 VitaFresh drawer with humidity control - Fruits and vegetables retain vitamins and stay fresh for longer

#### Food freshness system

- Freezing capacity 24h : 9.5 kg
- Temperature rise time : EU19\_Temperature rise time\_D: 12 H
- 3 freezer drawers

#### Dimension and installation

- Dimensions: 193.5 cm H x 69.1 cm W x 54.8 cm D
- Niche Dimensions: 194 cm H x 71 cm W x 56 cm D

#### Key features - Fridge section

- Right hinged door, door reversible
- Height adjustable front feet
- Length of power cord:230 cm
- Climate Class: SN-ST
- 220 - 240 V

#### Key features - Freezer section

- 1 x ice cube tray

#### Country Specific Options

- Based on the results of the standard 24-hour test. Actual consumption depends on usage/position of the appliance.

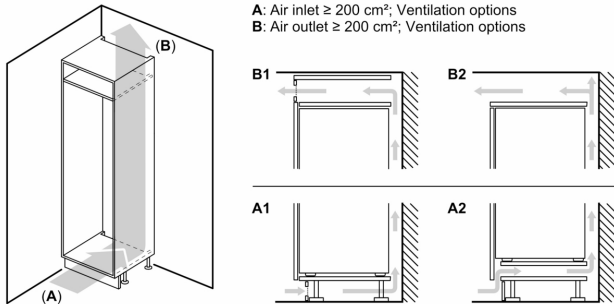
#### Design features

#### Dimension and installation

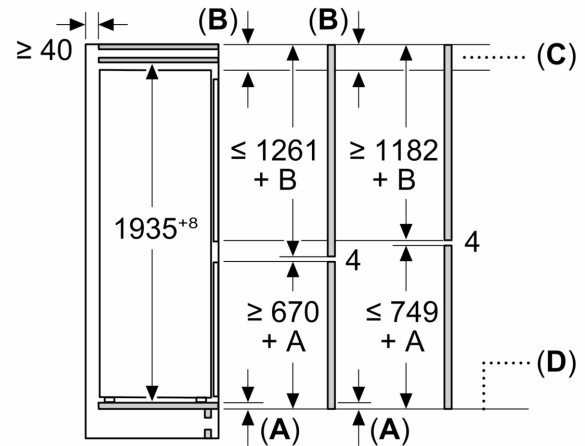
#### Additional features

- none

**Series 2, Built-in fridge-freezer with  
freezer at bottom, 193.5 x 69.1 cm,  
sliding hinge  
KBN96NSE1G**



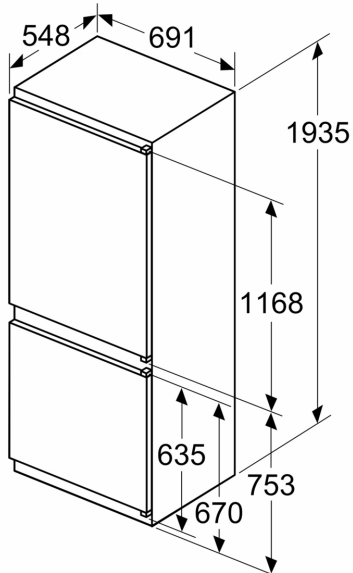
Measurements in mm



C: Front panel overhang

D: Lower edge of front panel

Measurements in mm



Measurements in mm

