

**iQ500, American side by side,
178.7 x 90.8 cm, Brushed steel
anti-fingerprint
KA93GAIDP**



side by side fridge freezer with noFrost technology for no more defrosting, ice&waterDispenser and special bar compartment.

- ✓ Plenty of space for weekly shopping thanks to extra high capacity.
- ✓ Ice & water dispenser with tap connection: convenient refreshment.
- ✓ bottleRack – Store your bottles safely and within easy reach.
- ✓ superCooling: faster cooling for fresh food.
- ✓ superFreezing: fast freezing for even large quantities of food.

Energy Efficiency Class:	D
Average annual energy consumption in kilowatt hour per year (kWh/a):	258 kWh/annum
Sum of volume of frozen compartments:	191 l
Sum of volume of chill compartments:	369 l
Airborne acoustical noise emissions :	41 dB(A) re 1pW
Airborne acoustical noise emission class:	C
Built-in / Free-standing:	Freestanding
Door panel options:	Not possible
Height:	1787 mm
Width of the appliance:	908 mm
Dimensions:	707 mm
Weight:	130.2 kg
Connection Rating:	240 W
Fuse protection:	10 A
Door opening:	left and right
Nominal power:	220-240 V
Frequency:	50-60 Hz
Length electrical supply cord:	170.0 cm
Number of compressors:	1
Interior ventilator:	No
Reversible Door Hinge:	No
Number of Adjustable Shelves in fridge compartment:	0
Shelves for Bottles:	Yes
EAN code:	4242003952214
Brand:	Siemens
Product name / Commercial code:	KA93GAIDP
Frost free system:	Fridge and freezer
Installation type:	Freestanding
Included accessories:	1 x connection hose, 1 x egg tray



iQ500, American side by side, 178.7 x 90.8 cm, Brushed steel anti-fingerprint KA93GAIDP

- NoFrost, American fridge freezer
- premium door design Stainless steel anti-fingerprint

Performance and Consumption

- EU19_EEK_D: D
- Total Volume : 560 l
- Annual Energy Consumption: 258 kWh/a
- EU19_Fast freezer facility_D
- Noise Level : 41 dB , EU19_Noise emission class_D: C

Functions

- Stainless steel anti-fingerprint doors and grey side panels
- Brushed aluminium vertical door handle
- Bright interior LED fridge light

Design features

- NO_FROST_NEU_BL, never have to defrost ever again
- Indoor touch control electronics with digital display
- LED display for fridge and freezer
- Separate temperature control for cooling and freezing section
- Super Cooling: automatic deactivation
- superFreeze function with automatic deactivation
- Optical and acoustical door open warning system

Ice and Water

- Automatic ice cube maker
- Internal water filter
- Illuminated water and ice dispenser

Design features

- Net Fridge Volume : 369 l
- multiAirflow cooling - improves circulation of air around the fridge
- 5 safety glass shelves
- 3 removable door storage compartments.

Freshness System

- 2 HyperFresh vegetable container on rails

Food freshness system

- Net Freezer Volume : 191 l
- Freezing capacity 24h : 12 kg
- 2 freezer drawers
- 3 door trays in the freezing compartment

Key features - Fridge section

- 4 height adjustable feet

Dimension and installation

- Dimensions: 178.7 cm H x 90.8 cm W x 70.7 cm D
- Climate Class: SN-T
- 220 - 240 V
- Length of power cord:170 cm

- Connection Length (water supply):300 cm

Key features - Freezer section

- 1 x connection hose, 3 x egg tray

Included accessories

Country Specific Options

- Based on the results of the standard 24-hour test. Actual consumption depends on usage/position of the appliance.

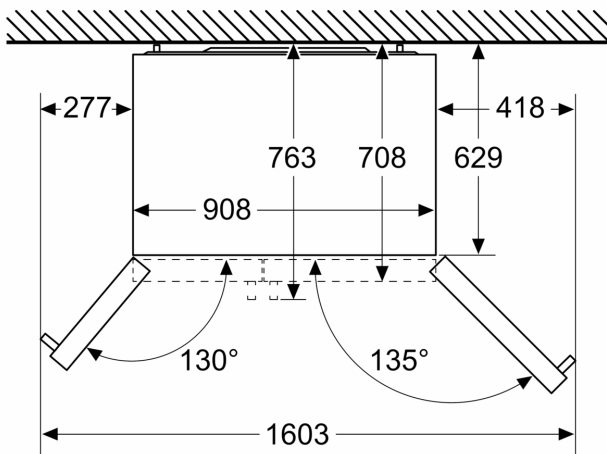
Design features

Dimension and installation

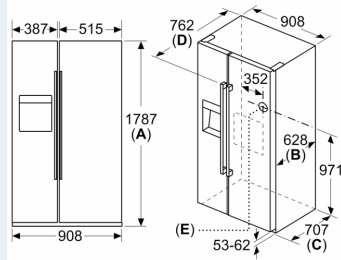
Additional features

**iQ500, American side by side,
178.7 x 90.8 cm, Brushed steel
anti-fingerprint
KA93GAIDP**

Measurements in mm

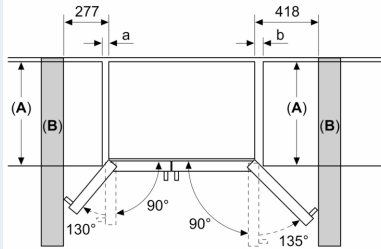


measurements in mm



Specifications	
A	Front is adjustable from 1783 to 1792
B	Cabinet depth
C	Depth incl. door, without handle
D	Depth incl. door, with handle
E	Water connection to the appliance

Measurements in mm



A	a	b
≤ 600	50	50
600 < A ≤ 650	50	50
650 < A ≤ 700	53	96
> 700	277	418

A: Kitchen cabinet or worktop depth

B: Wall
Drawers can be pulled out with door open to 90°

Drawers can be taken out with door completely opened