

## iQ700, Built-in oven with steam function, 60 x 60 cm, Black HS736G1B1B



A+



2 x grid, 1 x universal pan, 1 x steam container, size XL, punched, 1 x Steam container, unpunched, size M

HZ32WA00 Wireless food thermometer, HZ530000 2 multipurpose pans, slim size, HZ531010 Baking tray, non-stick ceramic coated, HZ532010 Universal pan, non-stick ceramic coated, HZ617000 Pizza pan, enamelled, HZ629070 Air Fry & Grill tray, HZ631070 Baking tray, enamelled, HZ632070 Multipurpose pan, enamelled, HZ633001 Lid for professional pan, enamelled, HZ633070 Professional pan, enamelled, HZ633073 Professional pan, enamelled, HZ635000 AirFry & Grill Set, HZ636000 Glass pan, HZ638D00 Full ext rails, level independent, steam, HZ664000 Baking and roasting grid (steam), HZ66D52 2 steamcontainer(punched/unpunched)sizeM, HZ66X650 Cover Strip, HZ915003 Glass roasting dish, 5,4 L

Shorten your cooking time thanks to fast preheat and coolStart. And remote your oven from anywhere with Home Connect.

- ✓ Oven Assistant with Voice Control: intuitively select the right programme.
- ✓ cookControl Pro: excellent results, whatever the recipe.
- ✓ ecoClean: Cut down on oven cleaning
- ✓ humidClean Plus: softens dirt by vaporising soapy water. Making it easy to wipe away.
- ✓ fullSteam Plus: for fast, healthy steam cooking.

Built-in / Free-standing: ..... Built-in  
 Door opening: ..... Drop down  
 Min. required niche size for installation (HxWxD): ..... 585-595 x 560-568 x 550 mm  
 Dimensions: ..... 595x594x548 mm  
 Dimensions of the packed product (HxWxD): ... 675 x 660 x 690 mm  
 Control Panel Material: .....Glass  
 Door Material: .....Glass  
 Weight: ..... 40.7 kg  
 Length electrical supply cord: ..... 120.0 cm  
 EAN code: .....4242003902516  
 Fuse protection: ..... 16 A  
 Nominal power: ..... 220-240 V  
 Frequency: .....50; 60 Hz  
 Plug type: .....no plug  
 (electrical connection by electrician)  
 Number of cavities (2010/30/EC): .....1  
 Usable volume (of cavity) - NEW (2010/30/EC): ..... 71 l  
 Energy efficiency rating: ..... A+  
 Energy consumption per cycle conventional (2010/30/EC): .....0.87 kWh/cycle  
 Energy consumption per cycle forced air convection (2010/30/EC): 0.69 kWh/cycle  
 Energy efficiency index (2010/30/EC): ..... 81.2 %  
 Included accessories: .....2 x grid, 1 x universal pan, 1 x steam container, punched, size XL, 1 x Steam container, punched, size M, 1 x Steam container, unpunched, size M



## iQ700, Built-in oven with steam function, 60 x 60 cm, Black HS736G1B1B

### Features

- Combi-steam oven with 21 heating methods: conventional top & bottom heating, full width grill, half width grill, coolStart, bottom heat, low temperature cooking, keep warm, plate warming, Conventional heat gentle, steam, reheating with steam, Dough proving, defrost, Hot air grilling, warming, 4D Hot air, Top/bottom heat
- Temperature range 30 °C - 250 °C
- 120 °C
- Cavity volume: 71 litres

### Level independent telescopic rails

- 5 shelf positions in oven
- Cavity with shelf support rails

### Design

- Touch control
- Cavity inner surface: enamel anthracite

### Cleaning

- EcoClean Direct : back panel
- hydrolyse program
- Full glass inner door

### Programmes/functions

- Oven Assistant with Voice Control
- SE62
- Electronic oven clock timer
- Digital temperature display with proposal
- Actual temperature display Heating-up indicator
- Drop down oven door, softClose, softOpen
- cookControl Plus
- Fast preheat
- coolStart
- steam boost - add for 3min intensive steam with a touch of a button.
- There are different steam intensities selectable: steam level high, steam level middle, steam level low
- LED light, Light on/off when door opened/closed
- Tank empty indicator
- Location of water tank: Outside cavity
- Integral cooling fan
- WLAN - Home connect enabled

### Accessories

- 2 x grid, 1 x steam container, punched, size XL, 1 x universal pan, 1 x Steam container, punched, size M, 1 x Steam container, unpunched, size M

### Features

- Heat reflective glass
- Control panel lock
- Automatic safety switch off Residual heat indicator Start button Door contact switch

### Technical information

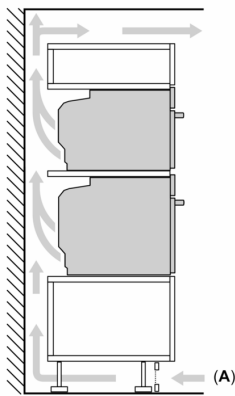
- 120 cm Cable length
- Nominal voltage: 220 - 240 V
- Total connected load electric: 3.6 KW
- Energy efficiency rating (acc. EU Nr. 65/2014): A+
- Energy consumption per cycle in conventional mode:0.87 kWh
- Energy consumption per cycle in fan-forced convection mode:0.69 kWh
- Number of cavities: Main cavity Heat source: electrical Cavity volume:71 litres

### Performance/technical information

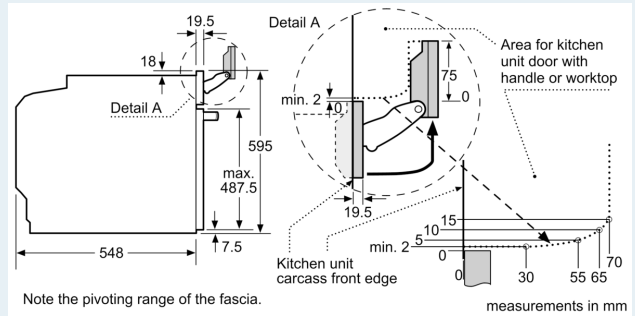
- Appliance dimension (hwxwd): 595 mm x 594 mm x 548 mm
- Niche dimension (hwxwd): 585 mm - 595 mm x 560 mm - 568 mm x 550 mm
- Please refer to the dimensions provided in the installation manual

**iQ700, Built-in oven with steam function, 60 x 60 cm, Black HS736G1B1B**

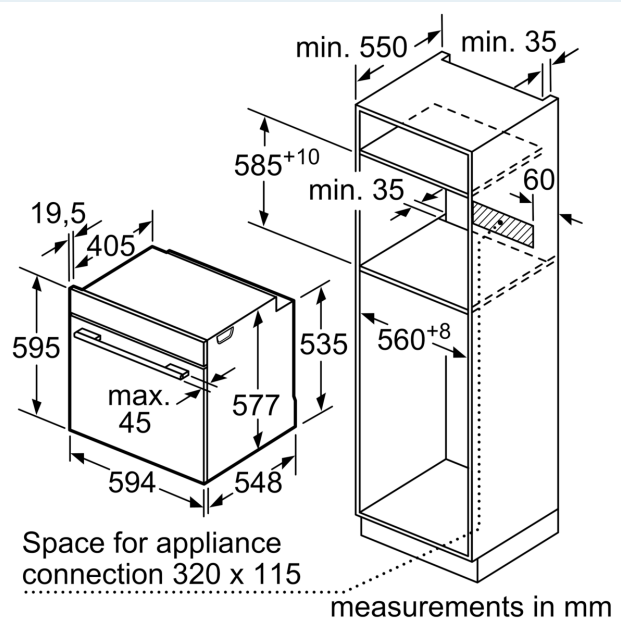
Installing two appliances on top of each other  
Air exchange



A: Air inlet  $\geq 200 \text{ cm}^2$



measurements in mm



measurements in mm

If the appliance will be installed underneath a hob, the following worktop thicknesses (including substructure if necessary) must be taken into account.

Hob type	min. worktop thickness	
	fitted	flush
Induction hob	37 mm	38 mm
Full surface Induction hob	47 mm	48 mm
Gas hob	30 mm	38 mm
Electric hob	27 mm	30 mm

