

**Series 4, Built-in oven with added steam function, 60 x 60 cm, Stainless steel
HRS534BS0B**



2 x combination grid, 1 x universal pan, 2 x Universal pan, slim size

HEZ327000 Pizza stone, HEZ32WA00 Wireless food thermometer, HEZ530000 Half tray, HEZ531010 Baking tray, non-stick ceramic coated, HEZ532010 Universal pan, non-stick ceramic coated, HEZ538000 1fold telescopic rail, level independent, HEZ617000 Pizza pan, enamelled, HEZ629070 Air Fry & Grill tray, HEZ631070 Baking tray, enamelled, HEZ632070 Multipurpose pan, enamelled, HEZ633001 Lid for professional pan, enamelled, HEZ633070 Professional pan, enamelled, HEZ636000 Glass pan, HEZ638000 Full ext rails, level independent, HEZ660050 Cover Strip, HEZ664000 Baking and roasting grid, steam, HEZ915003 Glass roasting dish, 5,4 L, HEZ634000 Baking and roasting grid

The built-in oven with added steam: achieve delicious baking results thanks to hotair steam heating mode.

- **Added steam function:** by adding steam, baked food turn out crispy on the outside and fluffy on the inside.
- **Hotair Steam:** heat and humidity are distributed equally within the oven interior so food turns out crispy on the outside and juicy on the inside.
- **Red LED display control:** easy-to-use thanks to the time functions.
- **Pop-out controls:** Make the front of the oven easy to clean and give it a sleek look.
- **EcoClean Direct:** less cleaning effort thanks to a special coating of the rear wall that automatically absorbs grime.

Built-in / Free-standing: Built-in
 Integrated Cleaning system: ..EcoClean Direct programme, Hydrolytic
 Min. required niche size for installation (HxWxD): 585-595 x 560-568 x 550 mm
 Dimensions: 595x594x548 mm
 Dimensions of the packed product (HxWxD): 675 x 660 x 690 mm
 Control Panel Material: Stainless steel
 Door Material: Glass
 Net weight: 33.5 kg
 Usable volume of cavity: 71 l
 Cooking method: Full width grill, Hotair gentle, Hot Air, Conventional heat, Pizza setting, Bottom heat, Hot air grilling
 Oven control: mechanical
 Number of interior lights: 1
 Length electrical supply cord: 120.0 cm
 EAN code: 4242005294435
 Number of cavities (2010/30/EC): 1
 Energy efficiency rating: A
 Energy consumption per cycle conventional (2010/30/EC): 0.97 kWh/cycle
 Energy consumption per cycle forced air convection (2010/30/EC): 81 kWh/cycle
 Energy efficiency index (2010/30/EC): 95.3 %
 Connection rating: 2800 W
 Fuse protection: 13 A
 Voltage: 220-240 V
 Frequency: 50; 60 Hz
 Plug type: no plug (electrical connection by electrician)
 Included accessories: 2 x combination grid, 1 x universal pan, 2 x Universal pan, slim size



Series 4, Built-in oven with added steam function, 60 x 60 cm, Stainless steel HRS534BS0B

Built-In appliances.

**The built-in oven with added steam:
achieve delicious baking results thanks to
hotair steam heating mode.**

Design

- Rotary dial, Retractable control dials, round
- Extra large capacity oven with grey enamel
- LED-Display Control (Red)
- Electronic clock timer
- Straight bar handle
- 5 shelf positions
- Cavity volume: 71 litre capacity

Features

- Control panel lock
- Heating-up indicator
- Automatic start
- Interior halogen light
- Water bowl with a volume of 250 ml
- Integral cooling fan

Cleaning

- EcoClean Direct : back panel
- Cleaning Assistance: hydrolyse manual
- Full glass inner door

Programmes/functions

- Oven with 8 heating methods: 3D Hotair, conventional top and bottom heat, Hotair grilling, full width variable grill, pizza function, bottom heat, Hotair gentle, hot air and steam combined
- Temperature range 50 °C - 275 °C
- Fast pre-heating function

Accessories

- 2 x combination grid, 1 x universal pan, 2 x Universal pan, slim size

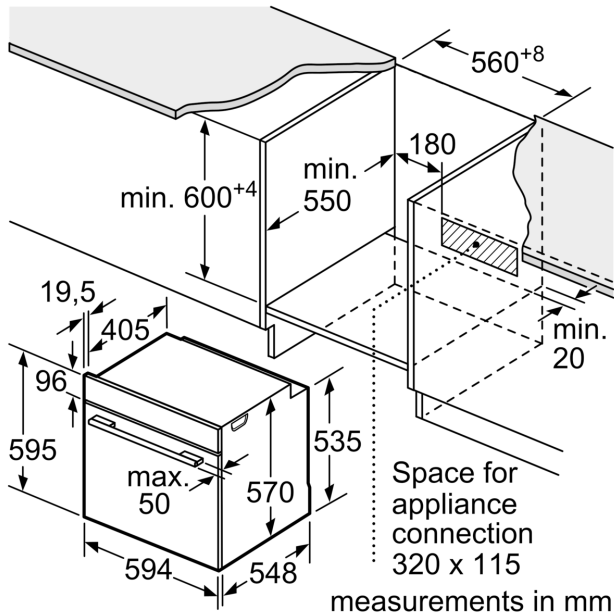
Technical information

- Energy efficiency rating (acc. EU Nr. 65/2014): A
- Energy consumption per cycle in conventional mode:0.97 kWh
- Energy consumption per cycle in fan-forced convection mode:0.81 kWh
- Number of cavities: Main cavity Heat source: electrical Cavity volume:71 litre capacity
- 120 cm Cable length
- Nominal voltage: 220 - 240 V
- Total connected load electric: 2.8 KW

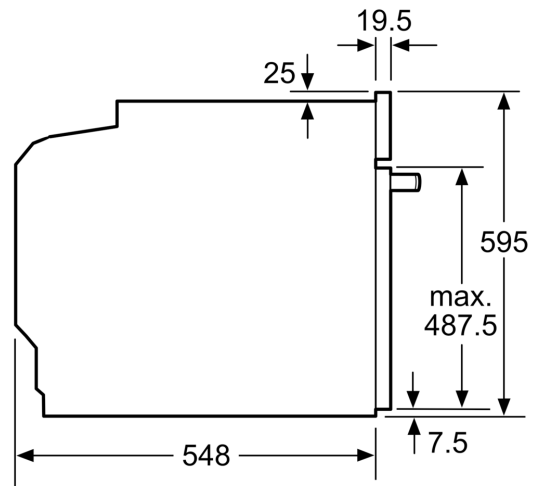
Performance/technical information

- Appliance dimension (hxwx): 595 mm x 594 mm x 548 mm
- Niche dimension (hxwx): 585 mm - 595 mm x 560 mm - 568 mm x 550 mm
- Please refer to the dimensions provided in the installation manual
- We recommend you to choose complementary products within SER4, in order to assure an optimal design combination of your

Series 4, Built-in oven with added steam function, 60 x 60 cm, Stainless steel
HRS534BS0B

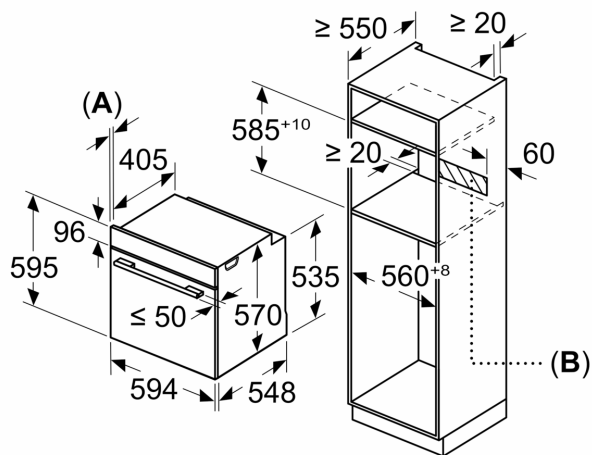


measurements in mm



measurements in mm

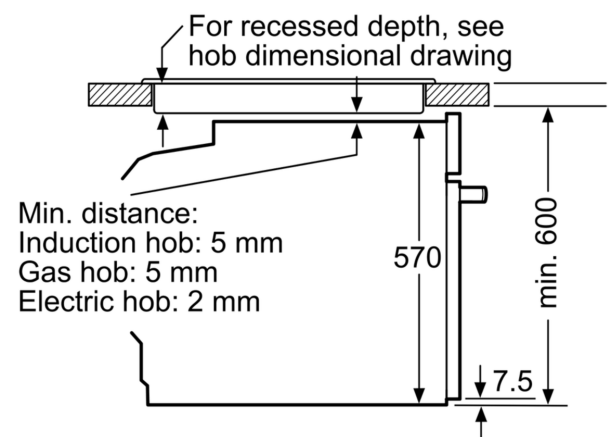
Measurements in mm



A: 19,5 mm

B: Space for appliance connection 320 x 115 mm

Installation with a hob.



Min. distance:
 Induction hob: 5 mm
 Gas hob: 5 mm
 Electric hob: 2 mm

measurements in mm