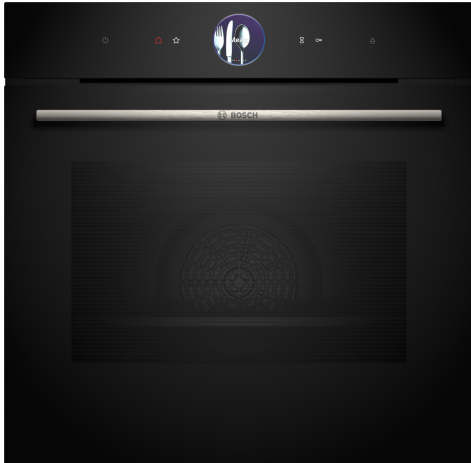


**Series 8, Built-in oven with added steam function, 60 x 60 cm, Black HRG7764B1B**



**A+**



2 x combination grid, 1 x universal pan

HEZ327000 Pizza stone, HEZ32WA00 Wireless food thermometer, HEZ531010 Baking tray, non-stick ceramic coated, HEZ532010 Universal pan, non-stick ceramic coated, HEZ617000 Pizza pan, enamelled, HEZ629070 Air Fry & Grill tray, HEZ631070 Baking tray, enamelled, HEZ632070 Multipurpose pan, enamelled, HEZ633001 Lid for professional pan, enamelled, HEZ633070 Professional pan, enamelled, HEZ633073 Professional pan, enamelled, HEZ634000 Baking and roasting grid, HEZ635001 AirFry & Grill Set, HEZ636000 Glass pan, HEZ638070 Full ext rails, level independent, pyro, HEZ660060 Strip, HEZ664000 Baking and roasting grid, steam, HEZ915003 Glass roasting dish, 5,4 L

**The built-in added steam oven with Digital Control Ring and TFT-touchdisplay. Assist function for meals: automatically prepares your dishes so they're crispy and juicy, PerfectRoast Plus, PerfectBake Plus, Home Connect for control via the App.**

- **Digital Control Ring:** simple and intuitive oven control.
- **TFT Touch Display Plus:** intuitive control with the Digital Control Ring and enlarged TFT touchscreen
- **Automatic Switch-off:** stops cooking as soon as the dish is done.
- **Pyrolytic self-cleaning:** automatic oven cleaning, with wipe-away ash.
- **Added Steam Function:** keep food crispy on the outside and juicy on the inside.

Built-in / Free-standing: ..... Built-in  
 Integrated Cleaning system: ..... Pyrolytic+Hydrolytic  
 Min. required niche size for installation (HxWxD): 585-595 x 560-568 x 550 mm  
 Dimensions: ..... 595x594x548 mm  
 Dimensions of the packed product (HxWxD): ..... 675 x 660 x 690 mm  
 Control Panel Material: ..... Glass  
 Door Material: ..... Glass  
 Net weight: ..... 40.6 kg  
 Usable volume of cavity: ..... 71 l  
 Cooking method: Regeneration, 4D Hotair, Defrost, Air fry, Full width grill, Hotair gentle, Half width grill, Conventional heat, Conventional heat gentle, Pizza setting, low temperature cooking, Bottom heat, Hot air grilling, pre-heating, warming  
 Oven control: ..... electronic  
 Number of interior lights: ..... 1  
 Length electrical supply cord: ..... 120.0 cm  
 EAN code: ..... 4242005327102  
 Number of cavities (2010/30/EC): ..... 1  
 Energy efficiency rating: ..... A+  
 Energy consumption per cycle conventional (2010/30/EC): ..... 0.87 kWh/cycle  
 Energy consumption per cycle forced air convection (2010/30/EC): ..... 0.69 kWh/cycle  
 Energy efficiency index (2010/30/EC): ..... 81.2 %  
 Connection rating: ..... 3600 W  
 Fuse protection: ..... 16 A  
 Voltage: ..... 220-240 V  
 Frequency: ..... 50; 60 Hz  
 Plug type: ..... no plug (electrical connection by electrician)  
 Included accessories: ..... 2 x combination grid, 1 x universal pan



## Series 8, Built-in oven with added steam function, 60 x 60 cm, Black HRG7764B1B

**The built-in added steam oven with Digital Control Ring and TFT-touchdisplay. Assist function for meals: automatically prepares your dishes so they're crispy and juicy, PerfectRoast Plus, PerfectBake Plus, Home Connect for control via the App.**

### Features

- Oven with 20 heating methods: conventional top and bottom heat, full width variable grill, half width grill, bottom heat, low temperature cooking, defrost, plate warming, keep warm, Conventional heat gentle, reheating with steam, Dough proving, Hot air grilling, warming, 4D Hot air, Top/bottom heat
- Temperature range 30 °C - 275 °C
- Cavity volume: 71 litre capacity

### Level independent telescopic rails

- 5 shelf positions
- Available as an additional accessory, pyrolytic proof

### Design

- Touch controls
- Digital Control Ring
- Cavity inner surface: enamel anthracite

### Cleaning

- Pyrolytic self-cleaning function
- hydrolyse program
- Full glass inner door

### Programmes/functions

- Oven Assistant with Voice Control
- BE62
- Electronic clock timer
- Digital temperature display with proposal
- Actual temperature display Heating-up indicator Temperature probe
- Drop down door, SoftClose, SoftOpen
- BoschAssist
- yes
- yes
- Fast pre-heating function
- steam boost - add for 3min intensive steam with a touch of a button.
- There are different steam intensities selectable: steam level high, steam level middle, steam level low
- LED light, Light on/off when oven door opened/closed
- Water tank empty indicator
- Location of water tank: Outside cavity
- Integral cooling fan
- Home Connect ready

### Accessories

- 2 x combination grid, 1 x universal pan

### Features

- Maximum window temperature 30° C
- Low door temperature during pyrolytic cleaning
- Quadruple glazed door with heat reflective glass glazed CoolTouch door
- Electronic door lock
- Control panel lock Automatic safety switch off Residual heat indicator Start button Door contact switch

### Technical information

- 120 cm Cable length
- Nominal voltage: 220 - 240 V
- Total connected load electric: 3.6 KW
- Energy efficiency rating (acc. EU Nr. 65/2014): A+
- Energy consumption per cycle in conventional mode:0.87 kWh
- Energy consumption per cycle in fan-forced convection mode:0.69 kWh
- Number of cavities: Main cavity Heat source: electrical Cavity volume:71 litre capacity

### Performance/technical information

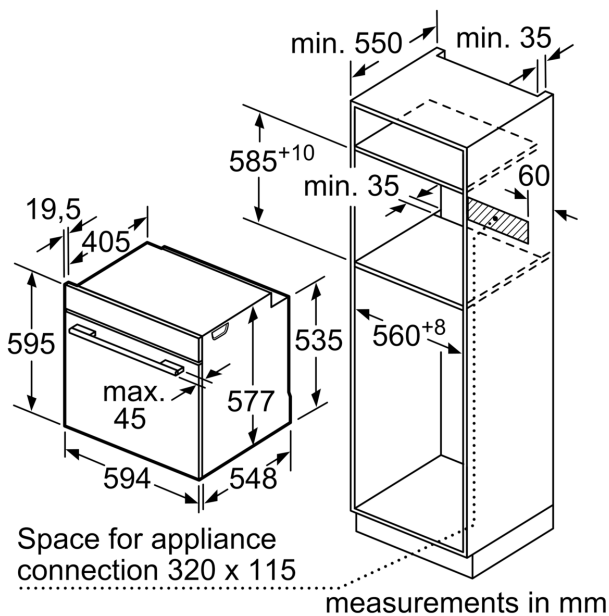
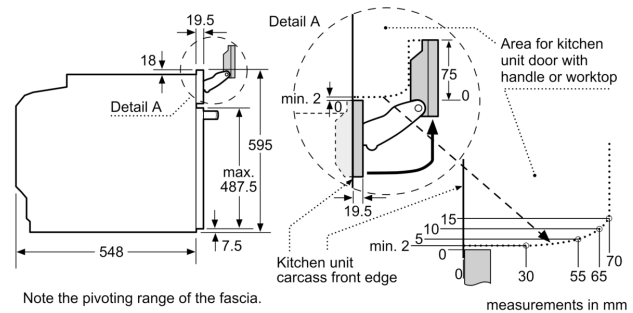
- Appliance dimension (hxwxh): 595 mm x 594 mm x 548 mm
- Niche dimension (hxwxh): 585 mm - 595 mm x 560 mm - 568 mm x 550 mm
- Please refer to the dimensions provided in the installation manual

**Series 8, Built-in oven with added steam function, 60 x 60 cm, Black HRG7764B1B**

Installing two appliances on top of each other  
Air exchange



A: Air inlet  $\geq 200 \text{ cm}^2$



If the appliance will be installed underneath a hob, the following worktop thicknesses (including substructure if necessary) must be taken into account.

Hob type	min. worktop thickness	
	fitted	flush
Induction hob	37 mm	38 mm
Full surface Induction hob	47 mm	48 mm
Gas hob	30 mm	38 mm
Electric hob	27 mm	30 mm

