

**Series 2, Built-in oven, 60 x 60 cm,
Stainless steel
HHF113BR0B**



The built-in oven with 3D hot air: achieve perfect baking and roasting results on up to three levels simultaneously.

- **Red LED display control:** easy-to-use thanks to the time functions.

1 x insert grid, 1 x combination grid, 1 x universal pan

HEZ317000	Pizza pan, enamelled
HEZ327000	Pizza stone
HEZ333001	Lid for professional pan
HEZ431002	Baking tray, enamelled
HEZ438201	2 level telescopic shelf rails
HEZ438301	3 level telescopic shelf rails
HEZ625071	Grill tray, anthracite
HEZ915003	Glass roasting dish, 5,4 L

Built-in / Free-standing:	Built-in
Integrated Cleaning system:	No
Min. required niche size for installation (HxWxD): 575-597 x 560-568 x 550 mm	
Dimensions:	595x594x548 mm
Dimensions of the packed product (HxWxD):	655 x 650 x 680 mm
Control Panel Material:	Stainless steel
Door Material:	Glass
Net weight:	32.0 kg
Usable volume of cavity:	66 l
Cooking method:	Hotair gentle, Hot Air, Hot air grilling, Full width variable grill
Oven control:	mechanical
Number of interior lights:	1
Length electrical supply cord:	110.0 cm
EAN code:	4242005048335
Number of cavities (2010/30/EC):	1
Energy efficiency rating:	A
Energy consumption per cycle forced air convection (2010/30/EQ):	79 kWh/cycle
Energy efficiency index (2010/30/EC):	95.2 %
Connection rating:	2400 W
Fuse protection:	13 A
Voltage:	220-240 V
Frequency:	60; 50 Hz
Plug type:	GB plug
Included accessories:	1 x insert grid, 1 x combination grid, 1 x universal pan



**Series 2, Built-in oven, 60 x 60 cm,
Stainless steel
HHF113BR0B**

The built-in oven with 3D hot air: achieve perfect baking and roasting results on up to three levels simultaneously.

Design

- LED-Display Control (Red)
- Rotary dial, round
- Straight bar handle

Features

- Control panel lock
- Automatic start
- Electronic clock timer
- Interior halogen light
- Integral cooling fan
- 5 shelf positions

Cleaning

- Full glass inner door

Programmes/functions

- Oven with 4 cooking functions: heating methods: 3D Hotair, Hotair grilling, Hotair gentle, full width variable grill

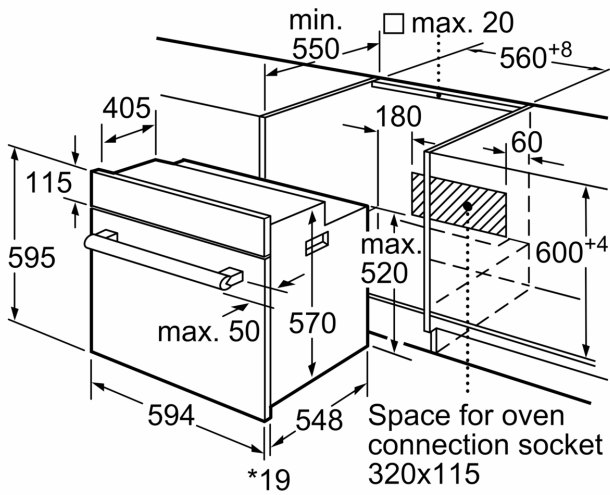
Accessories

- 1 x universal pan, 1 x combination grid, 1 x insert grid

Performance/technical information

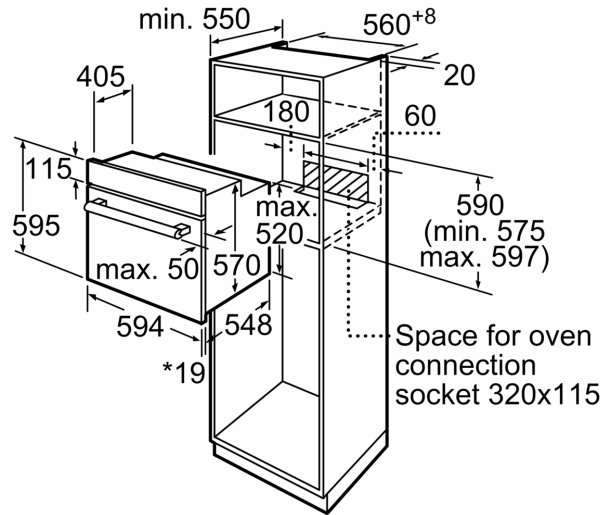
- Cavity volume: 66 litre
- Temperature range 50 °C - 275 °C
- 110 cm Cable length
- Total connected load electric: 2.4 KW
- Nominal voltage: 220 - 240 V
- Appliance dimension (hxwxd): 595 mm x 594 mm x 548 mm
- Niche dimension (hxwxd): 575 mm - 597 mm x 560 mm - 568 mm x 550 mm
- Please refer to the dimensions provided in the installation manual

**Series 2, Built-in oven, 60 x 60 cm,
Stainless steel
HHF113BR0B**



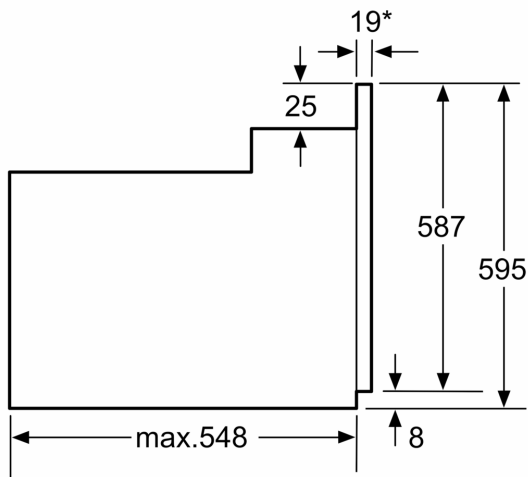
* 20 mm for metal fascias

measurements in mm



* 20 mm for metal fascias

measurements in mm



* 20 mm for metal fascias

Dimensions in mm