

**Series 4, Built-in oven, 60 x 60 cm,  
Black  
HBS573BB0B**



2 x combination grid, 1 x universal pan, 2 x Universal pan, slim size

HEZ327000 Pizza stone, HEZ32WA00 Wireless food thermometer, HEZ530000 Half tray, HEZ531010 Baking tray, non-stick ceramic coated, HEZ532010 Universal pan, non-stick ceramic coated, HEZ538000 1fold telescopic rail, level independent, HEZ617000 Pizza pan, enamelled, HEZ629070 Air Fry & Grill tray, HEZ631070 Baking tray, enamelled, HEZ632070 Multipurpose pan, enamelled, HEZ633001 Lid for professional pan, enamelled, HEZ633070 Professional pan, enamelled, HEZ634000 Baking and roasting grid, HEZ636000 Glass pan, HEZ638000 Full ext rails, level independent, HEZ660050 Cover Strip, HEZ664000 Baking and roasting grid, steam, HEZ915003 Glass roasting dish, 5,4 L, HEZG0AS00 Connecting cable 3m

**The built-in oven with AutoPilot:  
automatically prepares perfect dishes.**

- **AutoPilot 10:** every dish is a perfect success thanks to 10 pre-set automatic programmes.
- **Red LED display control:** easy-to-use thanks to the time functions.
- **Pop-out controls:** Make the front of the oven easy to clean and give it a sleek look.
- **Pyrolytic self-cleaning:** Automatically cleans the oven, just wipe out the ash.
- **2 universal pans, slim size:** optimized for smaller amounts of different dishes.

Built-in / Free-standing: ..... Built-in  
 Integrated Cleaning system: ..... Pyrolytic  
 Min. required niche size for installation (HxWxD): 585-595 x 560-568 x 550 mm  
 Dimensions: ..... 595x594x548 mm  
 Dimensions of the packed product (HxWxD): ..... 675 x 670 x 690 mm  
 Control Panel Material: ..... Glass  
 Door Material: ..... Glass  
 Net weight: ..... 38.9 kg  
 Usable volume of cavity: ..... 71 l  
 Cooking method: Full width grill, Hotair gentle, Hot Air, Conventional heat, Hot air grilling  
 Oven control: ..... electronic  
 Number of interior lights: ..... 1  
 Length electrical supply cord: ..... 120.0 cm  
 EAN code: ..... 4242005285297  
 Number of cavities (2010/30/EC): ..... 1  
 Energy efficiency rating: ..... A  
 Energy consumption per cycle conventional (2010/30/EC): ..... 0.99 kWh/cycle  
 Energy consumption per cycle forced air convection (2010/30/EC): 81 kWh/cycle  
 Energy efficiency index (2010/30/EC): ..... 95.3 %  
 Connection rating: ..... 2990 W  
 Fuse protection: ..... 13 A  
 Voltage: ..... 220-240 V  
 Frequency: ..... 50; 60 Hz  
 Plug type: ..... no plug (electrical connection by electrician)  
 Included accessories: ..... 2 x combination grid, 1 x universal pan, 2 x Universal pan, slim size



## **Series 4, Built-in oven, 60 x 60 cm, Black HBS573BB0B**

### **The built-in oven with AutoPilot: automatically prepares perfect dishes.**

---

#### **Design**

- LED-display control (red)
- Rotary dial, Retractable control dials, round
- 5 shelf positions
- Straight bar handle

#### **Features**

- Electronic clock timer
- Heating-up indicator
- AutoPilot Automatic start
- Electronic door lock
- Control panel lock Automatic safety switch off
- AutoPilot, 10
- Automatic programmes
- Interior halogen light, Light on/off when oven door opened/closed
- Integral cooling fan

#### **Cleaning**

- Pyrolytic self-cleaning function
- Full glass inner door

#### **Programmes/functions**

- Oven with 5 cooking functions: heating methods: 3D Hotair, conventional top and bottom heat, Hotair grilling, full width variable grill, Hotair gentle
- Fast pre-heating function
- Temperature range 50 °C - 275 °C

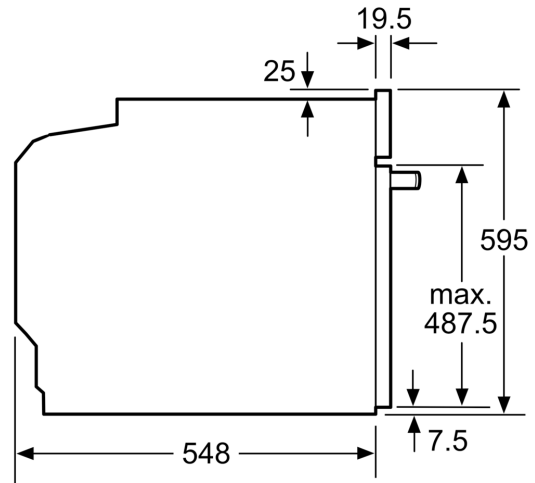
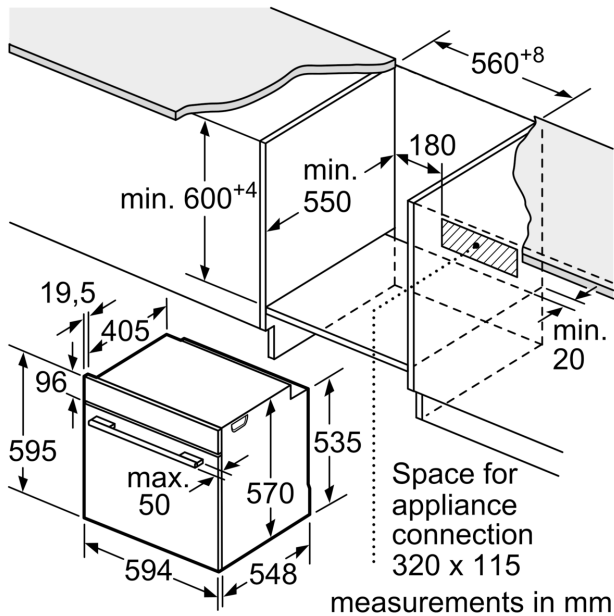
#### **Accessories**

- 2 x combination grid, 1 x universal pan, 2 x Universal pan, slim size

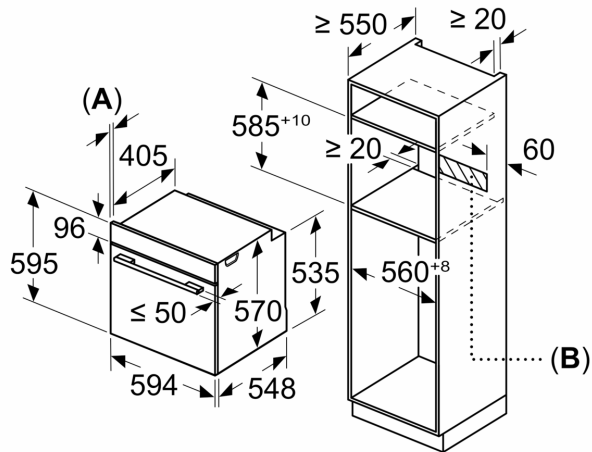
#### **Technical information**

- Energy efficiency rating (acc. EU Nr. 65/2014): A
- Energy consumption per cycle in conventional mode: 0.99 kWh
- Energy consumption per cycle in fan-forced convection mode: 0.81 kWh
- Number of cavities: Main cavity Heat source: electrical Cavity volume: 71 litre capacity
- Total connected load electric: 2.99 KW
- 120 cm Cable length
- Nominal voltage: 220 - 240 V
- Appliance dimension (hxwx): 595 mm x 594 mm x 548 mm
- Niche dimension (hxwx): 585 mm - 595 mm x 560 mm - 568 mm x 550 mm
- Please refer to the dimensions provided in the installation manual

**Series 4, Built-in oven, 60 x 60 cm,  
Black  
HBS573BB0B**



Measurements in mm



**A:** 19.5 mm  
**B:** Space for appliance connection 320 x 115 mm

Installation with a hob.

