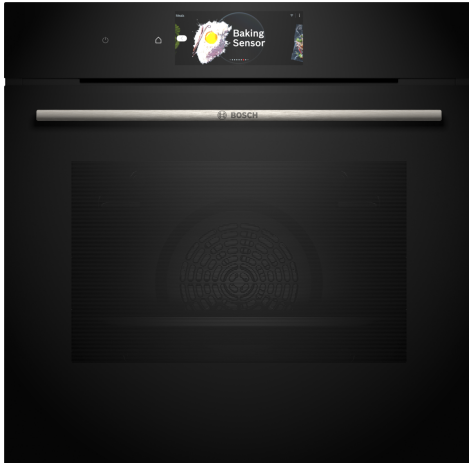


**Series 8, Built-in oven, 60 x 60 cm,  
Black  
HBG7784B1**



1 x enamel baking tray, 1 x combination grid, 1 x universal pan

HEZ327000 Pizza stone, HEZ32WA00 Wireless food thermometer, HEZ531010 Baking tray, non-stick ceramic coated, HEZ532010 Universal pan, non-stick ceramic coated, HEZ617000 Pizza pan, enamelled, HEZ629070 Air Fry & Grill tray, HEZ631070 Baking tray, enamelled, HEZ632070 Multipurpose pan, enamelled, HEZ633001 Lid for professional pan, enamelled, HEZ633070 Professional pan, enamelled, HEZ633073 Professional pan, enamelled, HEZ634000 Baking and roasting grid, HEZ635001 AirFry & Grill Set, HEZ636000 Glass pan, HEZ638070 Full ext rails, level independent, pyro, HEZ660060 Strip, HEZ664000 Baking and roasting grid, steam, HEZ915003 Glass roasting dish, 5,4 L, HEZG0AS00 Connecting cable 3m

**The built-in oven with Digital Control Ring and TFT-touchdisplay, Assist function for meals, Air Fry, PerfectBake Plus, PerfectRoast Plus, Home Connect for control via the App.**

- **Digital Control Ring:** simple and intuitive oven control.
- **TFT Touch Display Pro:** full control with the innovative Digital Control Ring and TFT touchscreen.
- **Automatic Switch-off:** stops cooking as soon as the dish is done.
- **PerfectBake Plus:** adjusts settings and tells you exactly when your dish is done.
- **PerfectRoast Plus:** know exactly when your roast is done.

Built-in / Free-standing: ..... Built-in  
 Integrated Cleaning system: ..... Pyrolytic+Hydrolytic  
 Min. required niche size for installation (HxWxD): 585-595 x 560-568 x 550 mm  
 Dimensions: ..... 595x594x548 mm  
 Dimensions of the packed product (HxWxD): ..... 670 x 670 x 680 mm  
 Control Panel Material: ..... Glass  
 Door Material: ..... Glass  
 Net weight: ..... 38.1 kg  
 Usable volume of cavity: ..... 71 l  
 Cooking method: ... 4D Hotair, Defrost, Air fry, Full width grill, Hotair gentle, Half width grill, Conventional heat, Conventional heat gentle, Pizza setting, low temperature cooking, Bottom heat, Hot air grilling, pre-heating, warming  
 Oven control: ..... electronic  
 Number of interior lights: ..... 1  
 Length electrical supply cord: ..... 120.0 cm  
 EAN code: ..... 4242005326761  
 Number of cavities (2010/30/EC): ..... 1  
 Energy efficiency rating: ..... A+  
 Energy consumption per cycle conventional (2010/30/EC): ..... 0.87 kWh/cycle  
 Energy consumption per cycle forced air convection (2010/30/EC): 69 kWh/cycle  
 Energy efficiency index (2010/30/EC): ..... 81.2 %  
 Connection rating: ..... 3600 W  
 Fuse protection: ..... 16 A  
 Voltage: ..... 220-240 V  
 Frequency: ..... 50; 60 Hz  
 Plug type: ..... Gardy plug w/ earthing  
 Included accessories: 1 x enamel baking tray, 1 x combination grid, 1 x universal pan



## Series 8, Built-in oven, 60 x 60 cm, Black HBG7784B1

**The built-in oven with Digital Control Ring and TFT-touchdisplay, Assist function for meals, Air Fry, PerfectBake Plus, PerfectRoast Plus, Home Connect for control via the App.**

### Features

- Oven with 14 heating methods: 4D Hotair, conventional top and bottom heat, Hotair grilling, full width variable grill, half width grill, pizza function, bottom heat, low temperature cooking, defrost, plate warming, keep warm, Hotair gentle, Conventional heat gentle, Air fry
- Temperature range 30 °C - 275 °C
- Cavity volume: 71 litre capacity

### Level independent telescopic rails

- 5 shelf positions
- Available as an additional accessory, pyrolytic proof

### Design

- Touch controls
- Digital Control Ring
- Cavity inner surface: enamel anthracite

### Cleaning

- Pyrolytic self-cleaning function
- hydrolyse program
- Full glass inner door

### Programmes/functions

- Oven Assistant with Voice Control
- BE63
- Electronic clock timer
- Digital temperature display with proposal
- Actual temperature display Heating-up indicator Temperature probe
- Drop down door, SoftClose, SoftOpen
- BoschAssist
- yes
- yes
- Fast pre-heating function
- LED light, Light on/off when oven door opened/closed
- Integral cooling fan
- Home Connect ready

### Accessories

- 1 x enamel baking tray, 1 x combination grid, 1 x universal pan

### Features

- Maximum window temperature 30° C
- Low door temperature during pyrolytic cleaning
- Quadruple glazed door with heat reflective glass glazed CoolTouch door
- Electronic door lock
- Control panel lock Automatic safety switch off Residual heat indicator Start button Door contact switch

### Technical information

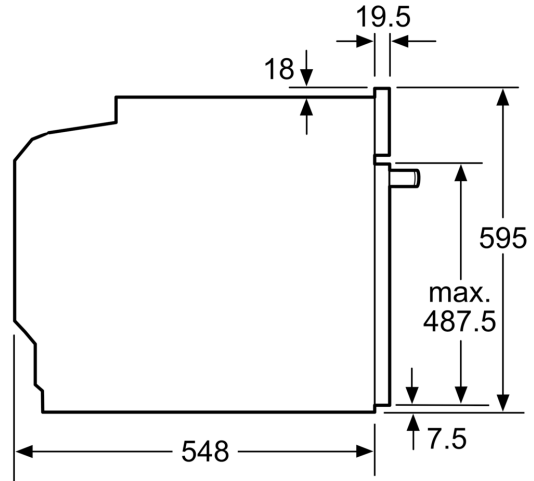
- 120 cm Cable length
- Nominal voltage: 220 - 240 V
- Total connected load electric: 3.6 KW
- Energy efficiency rating (acc. EU Nr. 65/2014): A+
- Energy consumption per cycle in conventional mode:0.87 kWh
- Energy consumption per cycle in fan-forced convection mode:0.69 kWh
- Number of cavities: Main cavity Heat source: electrical Cavity volume:71 litre capacity

### Performance/technical information

- Appliance dimension (hxwxh): 595 mm x 594 mm x 548 mm
- Niche dimension (hxwxh): 585 mm - 595 mm x 560 mm - 568 mm x 550 mm
- Please refer to the dimensions provided in the installation manual

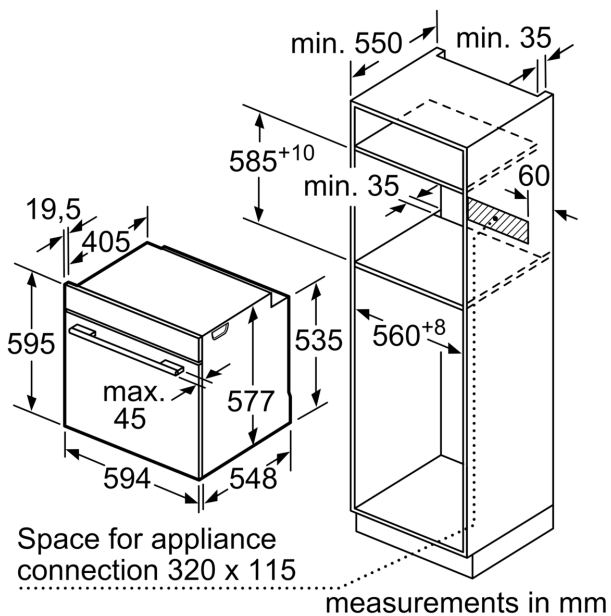
**Series 8, Built-in oven, 60 x 60 cm,  
Black  
HBG7784B1**

Installing two appliances on top of each other  
other  
Air exchange



A: Air inlet  $\geq 200 \text{ cm}^2$

measurements in mm



measurements in mm

If the appliance will be installed underneath a hob, the following worktop thicknesses (including substructure if necessary) must be taken into account.

| Hob type                   | min. worktop thickness |       |
|----------------------------|------------------------|-------|
|                            | fitted                 | flush |
| Induction hob              | 37 mm                  | 38 mm |
| Full surface Induction hob | 47 mm                  | 48 mm |
| Gas hob                    | 30 mm                  | 38 mm |
| Electric hob               | 27 mm                  | 30 mm |

