

**iQ300, Built-in freezer, 82 x 59.8 cm, flat hinge  
GU21NVFE0G**



1 x ice cube tray	
KF10ZAX0	Door panel with decor frame
KU20ZSX0	Attachment door, stainless steel

Built-under freezer with No Frost and Door Alarm for convenient and worry-free freezing where space is limited.

✓ noFrost – Never defrost your freezer again.

Energy Efficiency Class: ..... E  
 Average annual energy consumption in kilowatt hour per year (kWh/a): ..... 189 kWh/annum  
 Sum of volume of frozen compartments: ..... 85 l  
 Airborne acoustical noise emissions : ..... 35 dB(A) re 1pW  
 Airborne acoustical noise emission class: ..... B  
 Light: ..... No  
 Product category: ..... Upright freezer  
 Built-in / Free-standing: ..... Built-in  
 Frost free system: ..... Fridge and freezer  
 Height of the appliance: ..... 820 mm  
 Width of the appliance: ..... 598 mm  
 Dimensions: ..... 548 mm  
 Dimensions of the packed product (HxWxD): ... 890 x 640 x 640 mm  
 Weight: ..... 30.7 kg  
 Gross weight: ..... 33.4 kg  
 Fuse protection: ..... 10 A  
 Frequency: ..... 50 Hz  
 Length electrical supply cord: ..... 230.0 cm  
 Door opening: ..... Right reversible  
 Defrost: ..... Automatic  
 Warning signal / malfunction: ..... Visual  
 Door lock: ..... No  
 Number of drawers/baskets (Stck): ..... 3  
 Number of freezing flaps (Stck): ..... 0  
 EAN code: ..... 4242003932346  
 Brand: ..... Siemens  
 Product name / Commercial code: ..... GU21NVFE0G  
 Product category: ..... Upright freezer  
 Included accessories: ..... 1 x ice cube tray



## iQ300, Built-in freezer, 82 x 59.8 cm, flat hinge GU21NVFE0G

### Performance and Consumption

- EU19\_EEK\_D: E
- Total Volume : 85 l
- Annual Energy Consumption: 189 kWh/a
- Climate Class: SN-T
- Noise Level : 35 dB , EU19\_Noise emission class\_D: B

### Functions

#### Design features

- NO\_FROST\_NEU\_BL, never have to defrost ever again
- Electronic control (LED chain)
- Sabbath-Mode
- Freezer malfunction warning signal: optical and acoustical
- SuperFreeze function with automatic deactivation
- Home Connect: Remote diagnostics, Remote Monitoring and Control
- Easy clean interior

#### Food freshness system

- Net Freezer Volume : 85 l
- 3 freezer drawers
- Temperature rise time : EU19\_Temperature rise time\_D: 9 H
- EU19\_Fast freezer facility\_D
- Freezing capacity 24h : 8 kg
- Ice box

#### Key features - Fridge section

- Right hinged door, reversible door
- built under
- Ventilation through plinth
- Length of power cord:230 cm
- 220 - 240 V

#### Dimension and installation

- Niche Dimensions: 82 cm H x 60 cm W x 55 cm D
- Dimensions: 82 cm H x 59.8 cm W x 54.8 cm D

#### Key features - Freezer section

- GU21NVFE0G

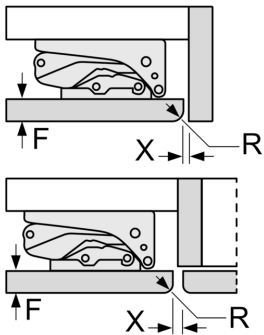
#### Country Specific Options

- Based on the results of the standard 24-hour test. Actual consumption depends on usage/position of the appliance.

#### Additional features

**iQ300, Built-in freezer, 82 x 59.8 cm, flat hinge  
GU21NVFE0G**

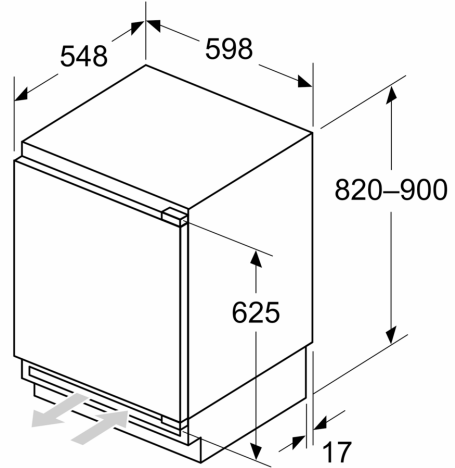
measurements in mm  
Recommended gap dimensions for flat hinges



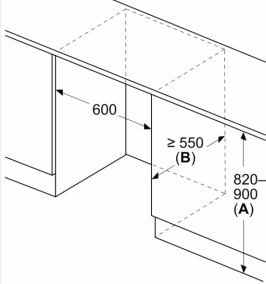
F	R	X
16-19	0-3	2.5
20	0-1	3
	2-3	2.5
21	0-1	3
	2-3	2.5
22	0	4
	1	3.5
	2-3	3

The gap dimensions recommended in the table must be adhered to in order to ensure that appliance doors do not collide with anything when they are opened, and to avoid causing damage to kitchen units.

Measurements in mm



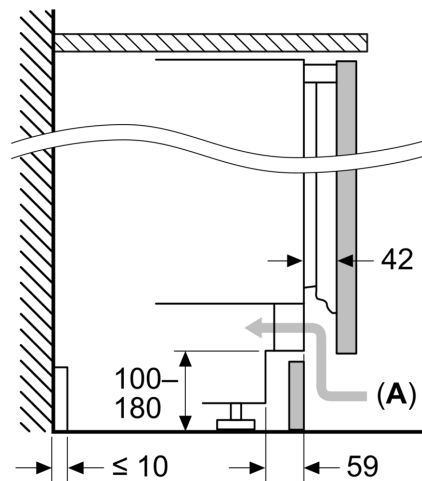
Measurements in mm



A: Substructure height  
B: ≥ 560 mm (recommended)

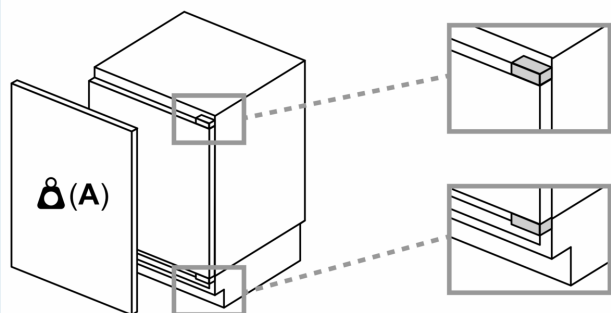
Space for electrical connection next to the appliance on the left or right side

Measurements in mm



A: Air inlet ≥ 200 cm<sup>2</sup>

## Maximal permissible weight of the unit fronts



Fitted unit fronts that exceed the permissible weight may cause damage and result in functional impairment of the hinges

**A:** Weight  $\leq$  12 kg