

**Series 4, Free-standing freezer, 186 x 60 cm, White
GSN36VWEPG**



2 x cold accumulator, 1 x ice cube tray

KSZ36AW00 Connection set white
KSZ39AW00 Connection set white

The NoFrost Freezer with FreshSense is very efficient - and protects your frozen food through a constant freezing temperature.

- **VarioZone:** more flexibility due to variable-use glass shelves and drawers in the freezer compartment.
- **NoFrost:** never defrost again, thanks to perfect protection from ice formation - that saves time and effort.
- **Big Box drawer:** easily stack food containers and store larger items in your freezer.

Energy Efficiency Class: E
 Average annual energy consumption in kilowatt hour per year (kWh/a): 234 kWh/annum
 Sum of volume of frozen compartments: 242 l
 Airborne acoustical noise emissions : 39 dB(A) re 1pW
 Airborne acoustical noise emission class: C
 Thermometer freeze section: Digital
 Light: No
 Product category: Upright freezer
 Built-in / Free-standing: Freestanding
 Door panel options: Not possible
 Frost free system: Fridge and freezer
 Height of the appliance: 1860 mm
 Width of the appliance: 600 mm
 Depth: 650 mm
 Dimensions of the packed product (HxWxD): ... 1930 x 660 x 770 mm
 Net weight: 66.7 kg
 Gross weight: 72.4 kg
 Fuse protection: 10 A
 Frequency: 50 Hz
 Length electrical supply cord: 230.0 cm
 Door hinge: Right reversible
 Color / Material body: White
 Defrost: Automatic
 Warning signal / malfunction: Both visual and audible
 Door lock: No
 Number of drawers/baskets (Stck): 4
 Number of freezing flaps (Stck): 0
 EAN code: 4242005388349
 Brand: Bosch
 Product name / Commercial code: GSN36VWEPG
 Product category: Upright freezer
 Included accessories: 2 x cold accumulator, 1 x ice cube tray



Series 4, Free-standing freezer, 186 x 60 cm, White GSN36VWEPG

The NoFrost Freezer with FreshSense is very efficient - and protects your frozen food through a constant freezing temperature.

- White door and white side panels
- No Frost, Upright freezer

Performance and Consumption

- EU19_EEK_D: E
- Annual Energy Consumption: 234 kWh/a
- Noise Level : 39 dB , EU19_Noise emission class_D: C
- Total Volume : 242 l
- EU19_Fast freezer facility_D

Functions

- White doors and white side panels
- Plastic Vertical door handle
- none

Design features

- NO_FROST_NEU_BL, never have to defrost ever again
- LED electronic control
- Freezer malfunction warning signal: optical and acoustical warning system
- Freshsense - Constant temperature control by intelligent sensor technology
- SuperFreeze function with automatic deactivation

Food freshness system

- Net Freezer Volume : 242 l
- Freezing capacity 24h : 18 kg
- MultiAirflow system - improves circulation of air around the fridge
- Vario Zone - removable safety glass shelves for extra space!
- 4 transparent freezer drawers, 2 BigBox
- 1 ice cube tray
- Temperature rise time : EU19_Temperature rise time_D: 9 H

Dimension and installation

- Dimensions: 186 cm H x 60 cm W x 65 cm D

Key features - Fridge section

- Right hinged door, door reversible
- Height adjustable front feet
- Door opening: No side clearance needed at all. Full access to all drawers, door opening angle 90°.
- 220 - 240 V
- Climate Class: SN-T

Key features - Freezer section

- cold accumulator, ice cube tray

Country Specific Options

- Based on the results of the standard 24-hour test. Actual consumption depends on usage/position of the appliance.
- To achieve the declared energy consumption, the attached

distanceholders have to be used. As a result, the appliance depth increases by about 3.5 cm. The appliance used without the distance holder is fully functional, but has a slightly higher energy consumption.

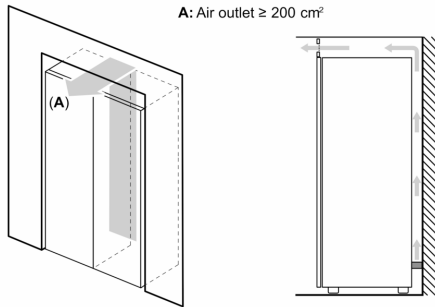
Included accessories

Design features

Dimension and installation

Additional features

Series 4, Free-standing freezer, 186 x 60 cm, White GSN36VWEPG



	a	b	c	d	e	f
KSW36, GSD36	187					
KSV36, KSF36, GSN36, GSV36	186					
KSV33, GSN33, GSV33	176	60	65	58	60	119.5
KSV29, GSN29, GSV29	161					
GSV24	146					
GSN51	161					
GSN54	176	70	78	70	70	142
GSN58	191					

a Height
 b Width
 c Depth with closed door w/o handle and w/o distance part
 d Depth of cabinet w/o distance part
 e Width with open door w/o handle
 f Depth with open door w/o handle w/o distance part

measurements in cm

