

N 50, BUILT-IN FREEZER, 177.2 X 55.8 CM, FLAT HINGE  
G17812EE0G



This NoFrost built-in freezer needs no defrosting and features a malfunction warning signal in case of increasing temperature.

- ✓ No Frost – No more defrosting your freezer.
- ✓ Vario Zone – Personalise your drawers with various loading options to find the perfect fit.

Energy Efficiency Class: .....E  
 Average annual energy consumption in kilowatt hour per year (kWh/a): ..... 235 kWh/a  
 Sum of volume of frozen compartments: ..... 212 l  
 Airborne acoustical noise emissions : ..... 35 dB(A) re 1pW  
 Airborne acoustical noise emission class: ..... B  
 Thermometer freeze section: ..... Digital  
 Light: ..... No  
 Product category: ..... Upright freezer  
 Built-in / Free-standing: ..... Built-in  
 Door panel options: ..... Not possible  
 Frost free system: ..... Fridge and freezer  
 Height of the appliance: ..... 1772 mm  
 Width of the appliance: ..... 558 mm  
 Depth: ..... 545 mm  
 Dimensions of the packed product (HxWxD): ..... 1840 x 610 x 640 mm  
 Net weight: ..... 64.1 kg  
 Gross weight: ..... 68.8 kg  
 Fuse protection: ..... 13 A  
 Frequency: ..... 50 Hz  
 Length electrical supply cord: ..... 230.0 cm  
 Door hinge: ..... Left reversible  
 Defrost process: ..... Automatic  
 Warning signal / malfunction: ..... Both visual and audible  
 Door lock: ..... No  
 Number of drawers/baskets (Stck): ..... 5  
 Number of freezing flaps (Stck): ..... 2  
 EAN code: ..... 4242004274902  
 Brand: ..... Neff  
 Product name / Commercial code: ..... G17812EE0G  
 Product category: ..... Upright freezer  
 Included accessories: ..... 1 x ice cube tray

1 x ice cube tray

KS0B0SZ0 Heavy-duty hinge support



N 50, BUILT-IN FREEZER, 177.2 X 55.8 CM, FLAT  
HINGE  
G17812EE0G

- Full frost free, Built-in freezer
- Fixed hinge

#### Performance and Consumption

- EU19\_EEK\_D: E
- Total Volume : 212 l
- Annual Energy Consumption: 235 kWh/a
- EU19\_Fast freezer facility\_D
- Noise Level : 35 dB , EU19\_Noise emission class\_D: B

#### Functions

##### Design features

- NO\_FROST\_NEU\_BL, never have to defrost ever again
- Fixed hinge
- 1 compressor/1 cold circuit
- SuperFreeze function with automatic deactivation
- Freezer malfunction warning signal: optical, acoustical

##### Freezer Section

- Net Freezer Volume : 212 l
- Net 4\* compartment volume : 212 l
- Freezing capacity 24h : 13.8 kg
- Temperature rise time : EU19\_Temperature rise time\_D: 8 H
- 2 hinged freezer compartment
- 5 transparent freezer drawers, 2

##### Technical Information

- Left hinged door, reversible
- 220 - 240 V
- Climate Class: SN-T
- Length of power cord:230 cm

##### Dimension and installation

- Niche Dimensions: 177.5 cm H x 56 cm W x 55 cm D
- Dimensions: 177.2 cm H x 55.8 cm W x 54.5 cm D

##### Accessories

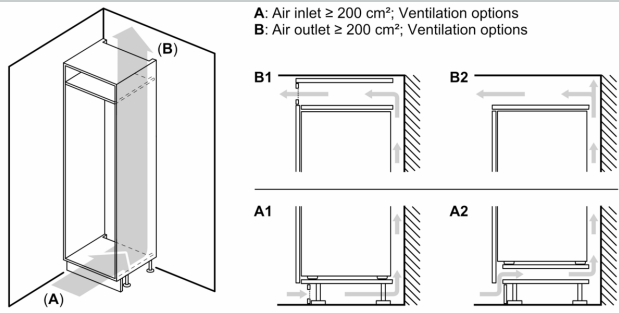
- ice cube tray

##### Country Specific Options

- Based on the results of the standard 24-hour test. Actual consumption depends on usage/position of the appliance.

##### Additional features

N 50, BUILT-IN FREEZER, 177.2 X 55.8 CM, FLAT HINGE  
G17812EE0G



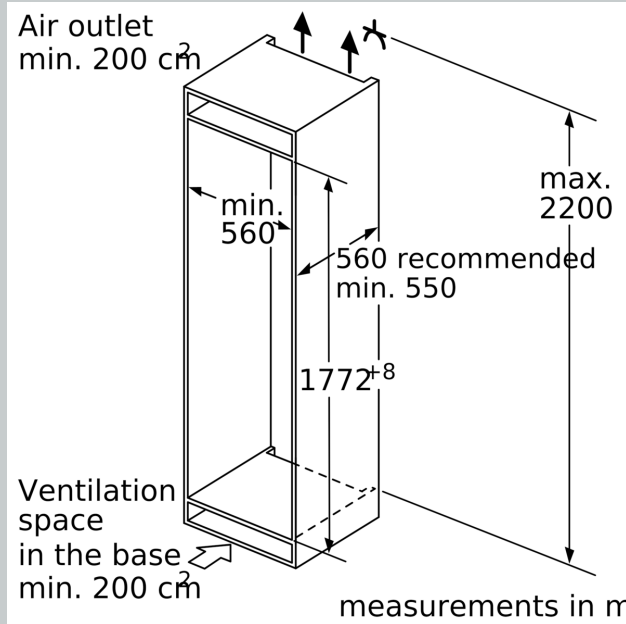
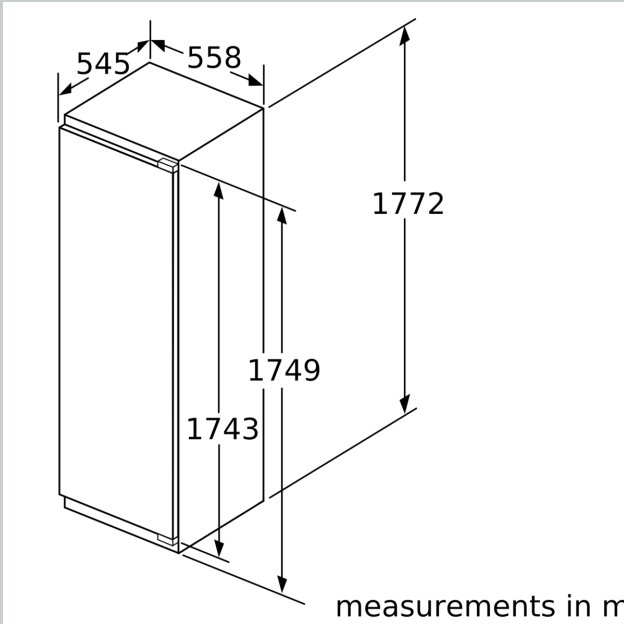
**Maximal permissible weight of the unit fronts**

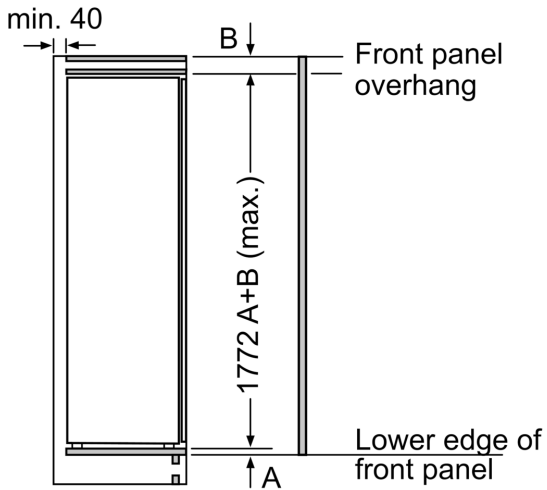
Fitted unit fronts that exceed the permissible weight may cause damage and result in functional impairment of the hinges

$\Delta$  Weight  
A: Appliance door height including hinges in mm

B: Undamped hinge, unit front in kg  
C: Damped hinge, unit front in kg  
D: Additional possible load in kg with heavy load kit

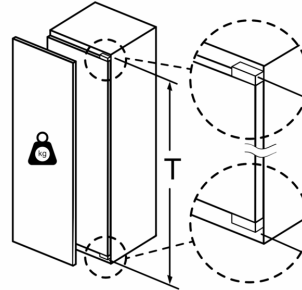
A	B	C	D
1500-1750	22	22	B+5 / C+5
720-1400	19	19	
A1	15	19	
A2	15	19	





measurements in mm

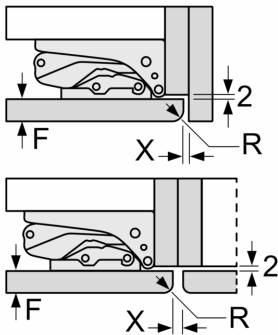
Maximal permissible weight of the unit fronts



Fitted kitchen unit doors that exceed the permissible weight may cause damage and result in functional impairment of the hinges.

T: Includes height of appliance door Hinges in mm:	undamped hinge, Door in kg:	damped hinge, Door in kg:
1500-1750	22	22

measurements in mm  
Recommended gap dimensions for flat hinges



F	R	X
16-19	0-3	2.5
20	0-1	3
	2-3	2.5
21	0-1	3
	2-3	2.5
22	0	4
	1	3.5
	2-3	3

The gap dimensions recommended in the table must be adhered to in order to ensure that appliance doors do not collide with anything when they are opened, and to avoid causing damage to kitchen units.