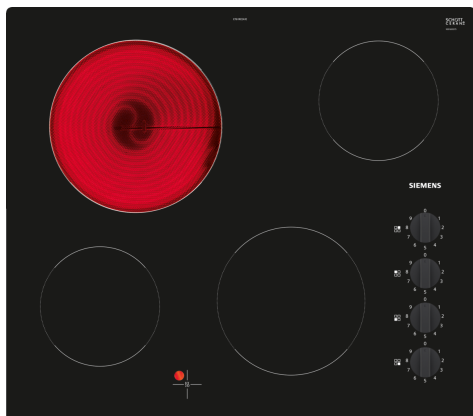


iQ100, Electric hob, 60 cm, Black, ET61RCEA1E



The modern glass ceramic cooktop for more cooking pleasure and less cleaning effort.

Product name/family: Cooking zone ceramic
 Built-in / Free-standing: Built-in
 Source of energy: Electric
 Number of cooking zones: 4
 Min. required niche size for installation (HxWxD):46 x 560-560 x 490-500 mm
 Width of the appliance: 592 mm
 Dimensions: 46 x 592 x 522 mm
 Dimensions of the packed product (HxWxD): ... 100 x 750 x 590 mm
 Weight: 7.5 kg
 Gross weight: 8.3 kg
 Residual heat indicator: Separate
 Location of control panel: Lateral
 Basic surface material: Ceramic
 Color of surface: Black
 EAN code:4242003899489
 Nominal power: 220-240 V
 Frequency:50; 60 Hz

- HZ32WA00 Wireless food thermometer
- HZ390090 Wok Set consisting of 3 Items
- HZ9SE030 Set of 2 pots and 1 pan



iQ100, Electric hob, 60 cm, Black, ET61RCEA1E

- 60 cm: space for 4 pots or pans.

Flexibility of cooking zones

- Cooking zone front left: 145 mm, 1.2 KW
- Cooking zone rear left: 210 mm, 2.2 KW
- Cooking zone rear right: 145 mm , 1.2 KW
- Cooking zone front right: 180 mm, 2 KW

Usage convenience

- Sword knob: control the power with mounted dials.
- 9 power levels: precisely adapt the heat with 9 power levels.

Design

- frameless design

Safety

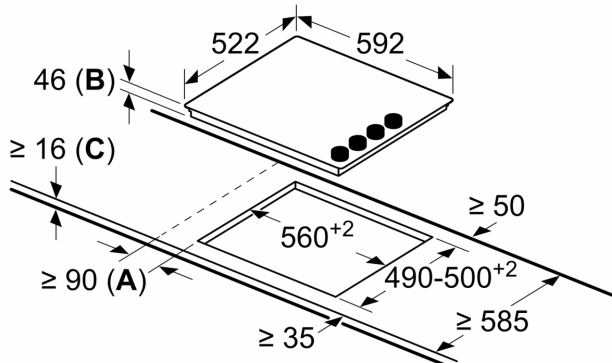
- Residual heat indicators: indicates which cooking zones are still hot.

Installation

- Dimensions of the product (HxWxD mm): 46 x 592 x 522
- Required niche size for installation (HxWxD mm) : 46 x 560 x (490 - 500)
- Min. worktop thickness: 16 mm
- Connected load: 6.6 KW

iQ100, Electric hob, 60 cm, Black, ET61RCEA1E

measurements in mm



A: Minimum distance from the hob cut-out to the wall.

B: Recessed depth

C: With fitted oven underneath min. 20, possibly more; see space requirements for the oven.