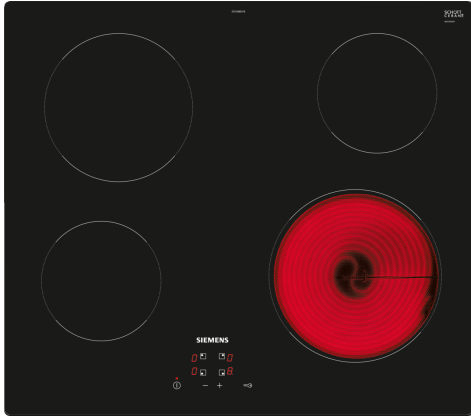


iQ100, Electric hob, 60 cm, Black, ET61RBEA1E



The modern glass ceramic cooktop for more cooking pleasure and less cleaning effort.

- ✓ touchControl makes the control of your cooktop especially convenient, just by the touch of a finger.
- ✓ The child safety lock safely prevents unintentional switch-on.

Product name/family: Cooking zone ceramic
 Built-in / Free-standing: Built-in
 Source of energy: Electric
 Number of cooking zones: 4
 Min. required niche size for installation (HxWxD):45 x 560-560 x 490-500 mm
 Width of the appliance: 592 mm
 Dimensions: 45 x 592 x 522 mm
 Dimensions of the packed product (HxWxD): ... 100 x 750 x 590 mm
 Weight: 7.3 kg
 Gross weight: 8.0 kg
 Residual heat indicator: Separate
 Location of control panel: Front
 Basic surface material: Ceramic
 Color of surface: Black
 EAN code:4242003898253
 Nominal power: 220-240 V
 Frequency:50; 60 Hz



HZ32WA00 Wireless food thermometer
 HZ392617 Intermediate bottom
 HZ9FE280 Iron pan Ø 18 / 28 cm
 HZ9SE030 Set of 2 pots and 1 pan

iQ100, Electric hob, 60 cm, Black, ET61RBEA1E

Flexibility of cooking zones

- Cooking zone front left: 145 mm, 1.2 KW
- Cooking zone rear left: 180 mm, 2 KW
- Cooking zone rear right: 145 mm , 1.2 KW
- Cooking zone front right: 210 mm, 2.2 KW

Usage convenience

- touchControl: control the power with imprinted +/- touch buttons.
- 17 power levels: precisely adapt the heat with 17 power levels (9 main levels and 8 intermediate levels).

Time saving & efficiency

- reStart function: in case of unintentional switch-off, this feature restores all previous settings by switching on the hob again within 4 seconds.
- quickStop: quickly switch off a cooking zone with one longer touch.

Design

- 60 cm: space for 4 pots or pans.
- frameless design

Safety

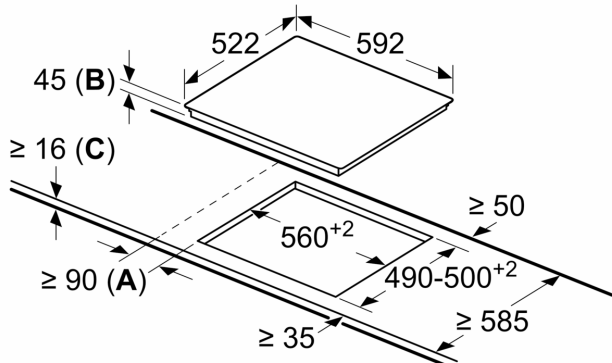
- 2 stage residual heat indicators: indicates which cooking zones are still hot or warm.
- Control panel lock: prevent unintended activation of the hob.
- Main on/off switch: switch off all cooking zones at the touch of a button.
- Power on indicator: indicates if the hob is heating.
- Automatic safety switch off: for safety reasons, heating stops after a preset time if not used.

Installation

- Dimensions of the product (HxWxD mm): 45 x 592 x 522
- Required niche size for installation (HxWxD mm) : 45 x 560 x (490 - 500)
- Min. worktop thickness: 16 mm
- Connected load: 6.6 KW

iQ100, Electric hob, 60 cm, Black, ET61RBEA1E

measurements in mm



A: Minimum distance from the hob cut-out to the wall.

B: Recessed depth

C: With fitted oven underneath min. 20, possibly more; see space requirements for the oven.